

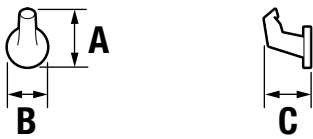
413RH, 413TB-18, 413TB-24, 413TP, 413TRR, 413TRL
Naru[™] Accessories
Operation & Maintenance Manual

Model Numbers	Specifications
<input type="checkbox"/> 413RH <i>Robe Hook</i> <input type="checkbox"/> 413TB-18 <i>18" Towel Bar</i> <input type="checkbox"/> 413TB-24 <i>24" Towel Bar</i> <input type="checkbox"/> 413TP <i>Toilet Paper Holder</i> <input type="checkbox"/> 413TRR <i>Right Mount Towel Ring</i> <input type="checkbox"/> 413TRL <i>Left Mount Towel Ring</i>	<p>All premium accessories made from brass plated in standard polished chrome finish.</p>
Modifications	Warranty
<input type="checkbox"/> -PNL <i>Polished nickel finish</i> <input type="checkbox"/> -STN <i>Satin nickel finish</i>	<p>Limited Lifetime - to the original end purchaser in consumer installations. 5 Years - for commercial installations.</p> <p>Refer to www.symmons.com/warranty for complete warranty information.</p>

Note: Append appropriate -suffix to model number.

Dimensions

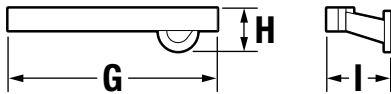
413RH



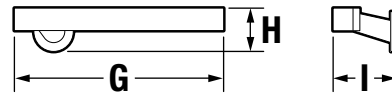
413TP



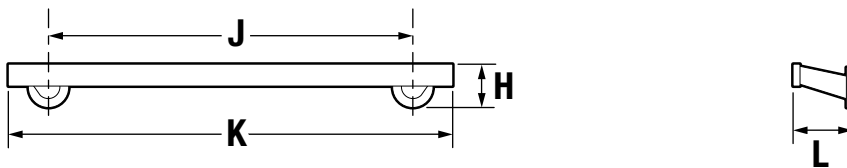
413TRR



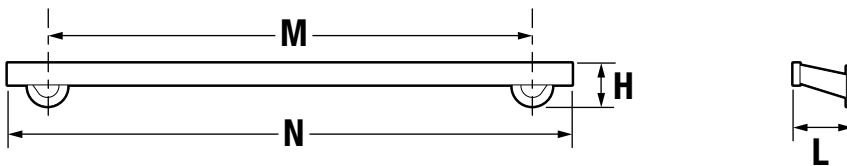
413TRL



413TB-18



413TB-24



Measurements

A	2 7/8", 73 mm
B	2", 51 mm
C	2 1/4", 57 mm
D	6 3/8", 162 mm
E	1 3/4", 44 mm
F	4 1/8", 105 mm
G	10 1/2", 267 mm
H	2 1/8", 54 mm
I	3 1/8", 79 mm
J	18", 457 mm
K	22", 559 mm
L	2 15/16", 75 mm
M	24", 610 mm
N	28", 711 mm

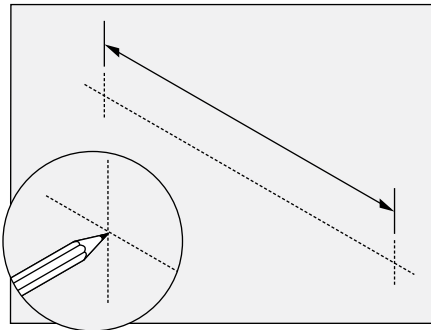
Required for Installation

Phillips head screwdriver	
Allen wrench (1/8")	
Power drill	
Flathead screwdriver	

Note: Dimensions are subject to change without notice.

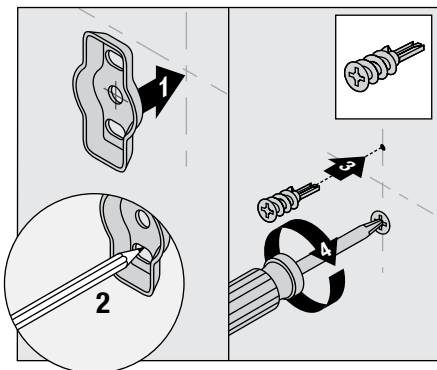
Installation

- 1) Measure and mark centerlines for mounting bracket installation using dimensions on page 2.



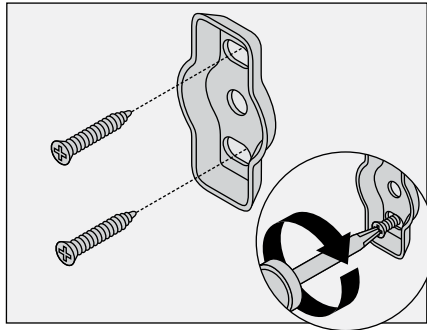
Notes: 413TB-18 and 413TB-24 only. Make sure both centerline marks are level.

- 2a) **Dry Wall Option:** Place mounting brackets into desired position. Using brackets as a guide, mark holes. Screw self-drilling anchors into wall.



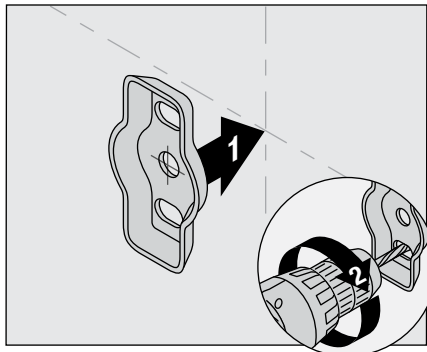
Note: For 413TP go to step 6a.

- 2b) **Stud Option:** Place mounting brackets into desired position. Using brackets as a guide, carefully drill 3/16" holes into wall.

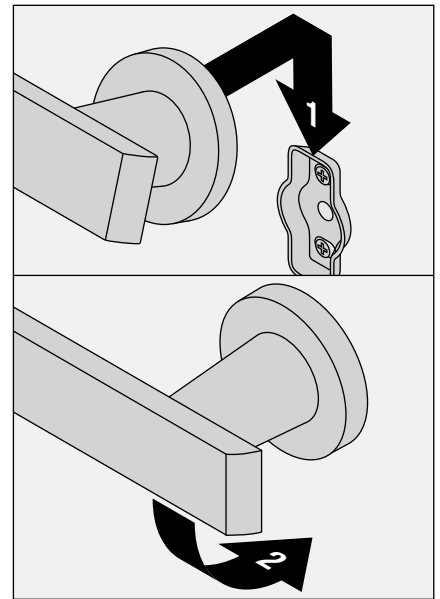


Note: For 413TP go to step 6b.

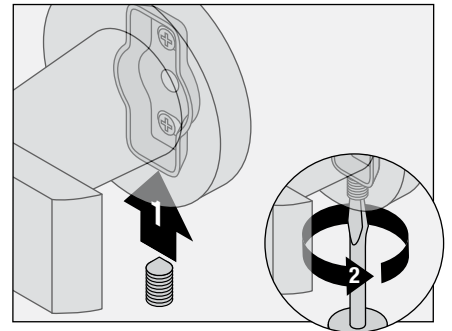
- 3) With mounting brackets in position, secure to wall using screws.



- 4) Hang top of accessory on mounting bracket. Lower into position.

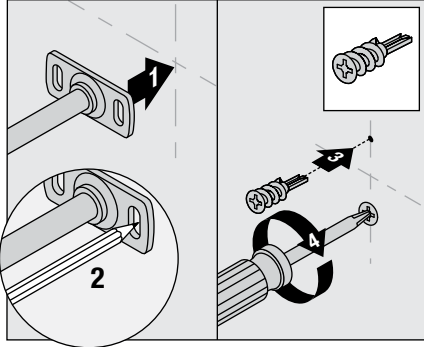


- 5) Secure with set screw.

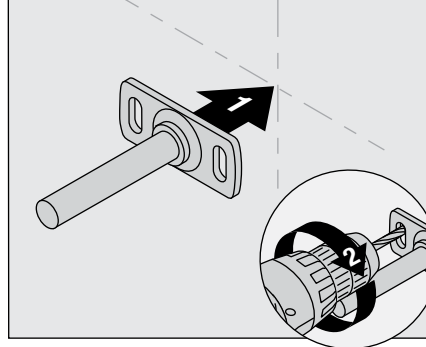


Installation

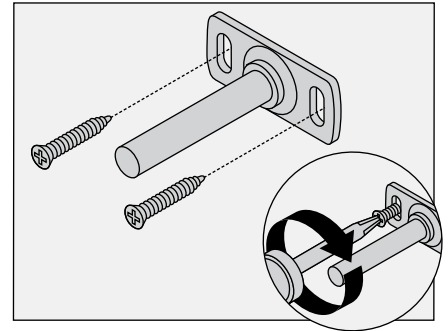
6a) **413TP Dry Wall Option:** Place mounting brackets into desired position. Using brackets as a guide, mark holes. Screw self-drilling anchors into wall.



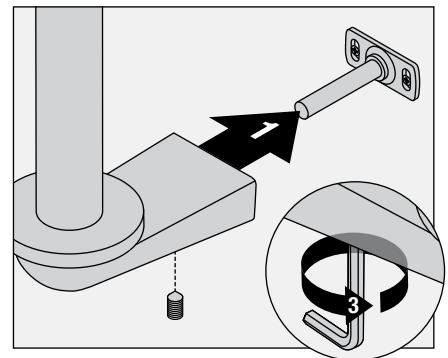
6b) **413TP Stud Option:** Place mounting brackets into desired position. Using brackets as a guide, carefully drill 3/16" holes into wall.



7) With mounting brackets in position, secure to wall using screws.



8) Slide accessory into position on bracket and secure with set screw.



Care and Cleaning

1) Clean finished trim area with a soft cloth using mild soap and water or a non-abrasive cleaner and then quickly rinse with water.