

# SYMMONS® Canterbury®

## Widespread Lavatory Faucet SLW-4512



### Installation and Service Instructions

#### Model Numbers

SLW-4512 Lavatory faucet with pop-up drain

#### Alternate Finish Code

*append to part numbers when applicable*

- STN Satin Nickel
- Chrome (standard)

#### Tools & Materials



#### Compliance

- ASME A112.18.1/CSA B125.1
- NSF/ANSI 61.9, NSF/ANSI 372
- WaterSense 1.0 & 1.5 gpm

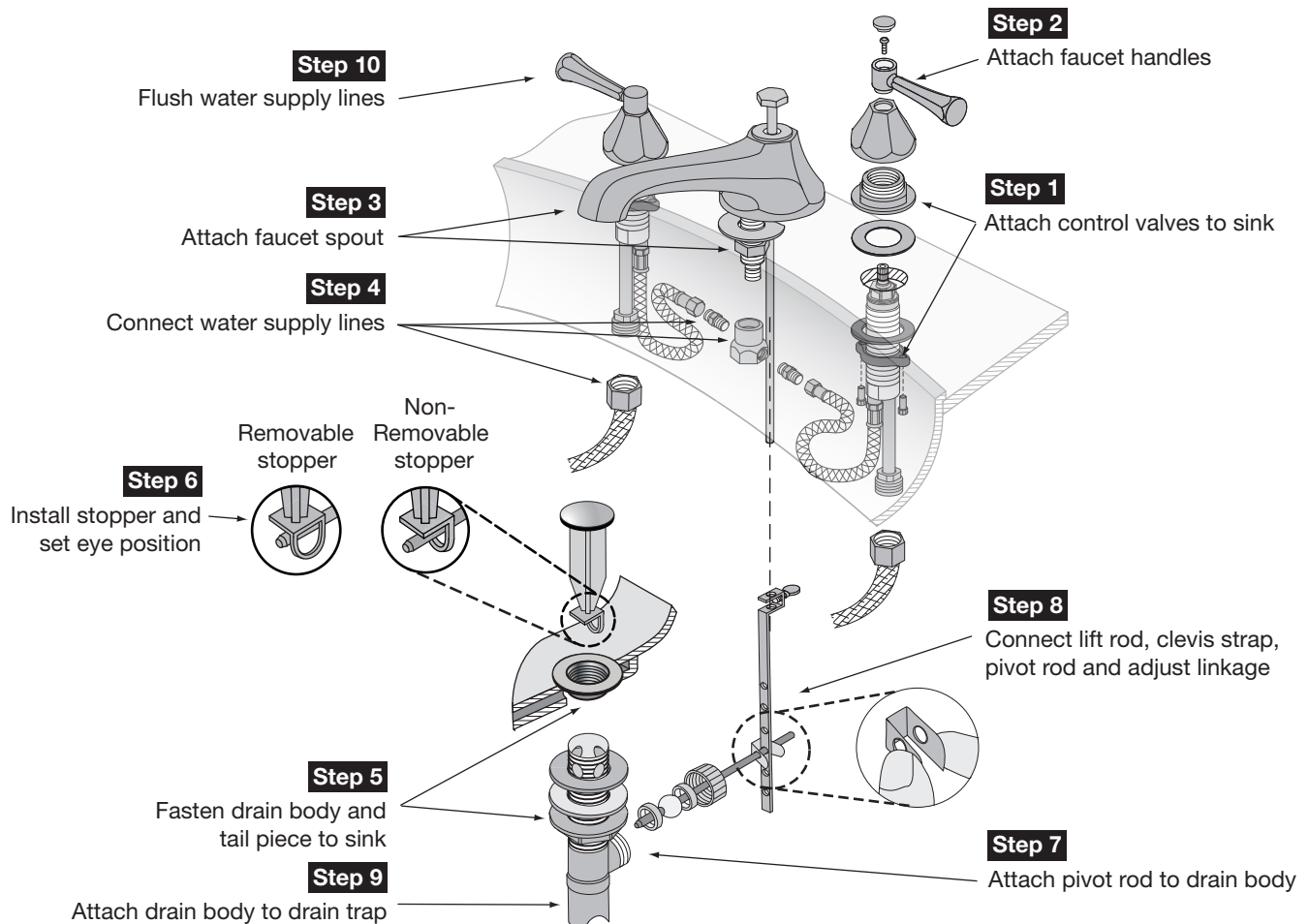


#### Need Help?

Contact Symmons customer service at  
 P: (800) 796-6667, F: (800) 961-9621  
 Email: [customerservice@symmons.com](mailto:customerservice@symmons.com)  
 Monday - Friday 7:30 am - 7:00 pm EST

Please check Symmons website for technical help, the latest product information and warranty policy.  
[www.symmons.com/service](http://www.symmons.com/service)

### Quick Install Guide Canterbury Widespread Lavatory Faucet, SLW-4512

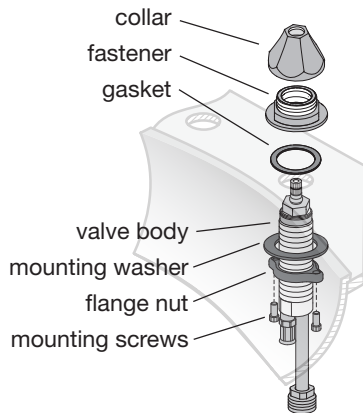


# Installation Instructions

**Caution:** If replacing an older faucet ensure water supply is turned OFF before removing. Then open faucet valves to relieve water pressure.

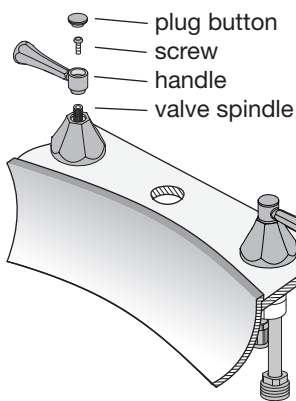
## Step 1 Attach control valves to sink

- Thread flange nut down 2 inches from threaded end of valve body.
- Insert valve body from underneath sink through mounting hole. Ensure valve with red striped hose (hot) is on left and blue (cold) is on right.
- Place gasket over valve body and thread fastener onto valve body until stop is reached.
- Tighten flange nut and mounting washer under sink and secure with mounting screws if necessary.
- Thread collar over outer threads of fastener until tightened against surface of the sink.



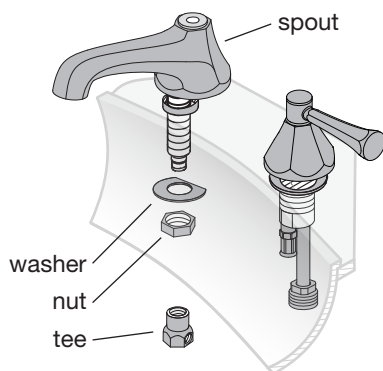
## Step 2 Attach faucet handles

- Turn valve spindles to the OFF position.  
HOT - left valve, clockwise  
COLD - right valve, counter clockwise
- Attach handle to valve spindle in OFF location as shown.
- Fasten to spindle with Phillips head screw and insert plug button.



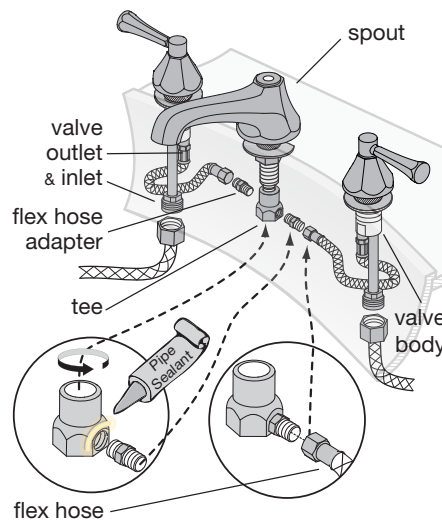
## Step 3 Attach faucet spout to sink

- Unscrew tee and remove washer and nut from threaded end of spout as shipped.
- Insert end of spout down through mounting hole in sink and then fasten from under sink with washer and nut.
- Tighten nut while ensuring spout is centered over mounting hole and flat edge of washer is facing rear of sink.



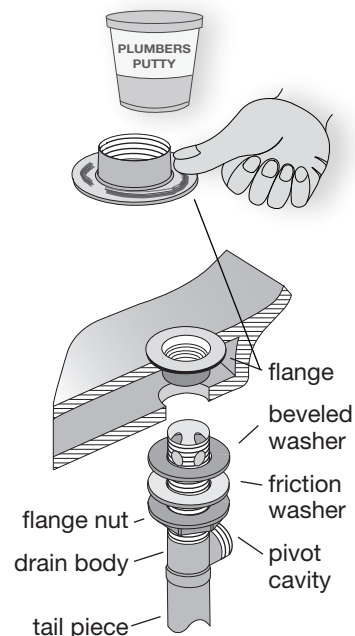
## Step 4 Connect water supply lines

- Apply pipe sealant on both flex hose adapters. Thread into sides of tee.
- Thread center of tee onto end of spout.  
Note: This may require about 4 inches of clearance to rotate.
- Attach flex hoses to flex hose adapters.
- Plumb hot water supply to left valve inlet, cold water to right inlet (supply hoses not included).
- Check for leaks if only replacing faucet and drain is already installed by first turning faucet handles to the OFF position and then turn water supply valves ON.



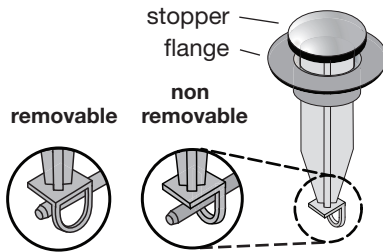
## Step 5 Fasten drain body to sink

- Remove stopper, unscrew flange and remove flat rubber washer from end of drain body as shipped.
- Apply plumber's putty around bottom of flange.
- Move friction washer, beveled washer and flange nut down away from threaded end of drain body.
- Place flange in drain opening and under sink screw drain body up into flange at least 2-3 turns until hand tight. Apply putty or teflon tape to tail piece and attach to drain body.
- Position drain body so pivot cavity is facing rear of sink and then slide beveled washer and friction washer up against sink.
- Tighten flange nut up against friction washer to evenly compress beveled washer while also ensuring flange is centered in drain opening.  
Take care not to over tighten flange nut.



## Step 6 Install stopper and set eye position

Stopper can be *removable* or *non-removable* determined by position of eye hole when inserting pivot rod.



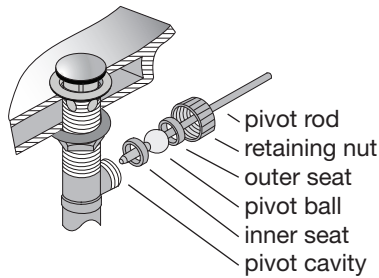
- Insert *stopper* through *flange* opening and position eye hole.

**Removing stopper** When installed in removable position, move pivot rod to the up position (lift rod is in the down position when later installed). Eye hole will slide over end of pivot rod.

## Step 7 Attach pivot rod to drain body

- Remove *retaining nut* and *outer seat* from *pivot cavity*.

- Insert *pivot rod* into *pivot cavity* so ball is against *inner seat* and end of rod passes under stopper according to selected eye hole position.

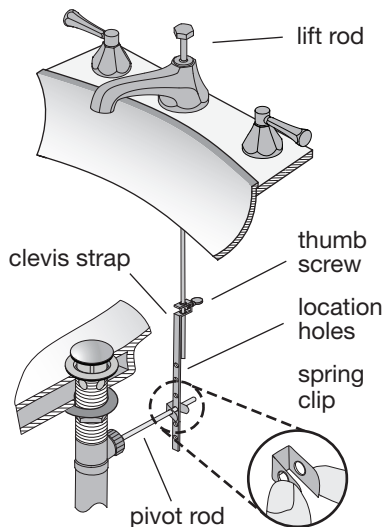


- Slide *outer seat* over *pivot rod* with curved end against *pivot ball*.
- Fasten *pivot rod* to *drain body* with *retaining nut*. Tighten using your fingers until ball is seated snug and *pivot rod* can move around freely.

## Step 8 Connect lift rod and adjust linkage

- Insert *lift rod* through hole on top of water spout.

- Fasten end of *pivot rod* with *spring clip* through *location hole* in *clevis strap* that is best aligned to enable *lift rod* also fasten to end of *clevis strap* when in the up position and *stopper* is in the closed position.

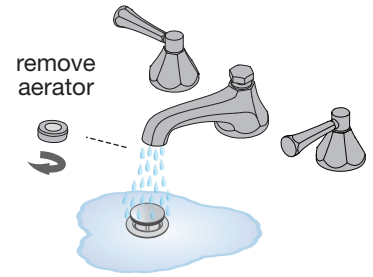


- Insert *lift rod* into end of *clevis strap* and fasten with *thumb screw* at location where *stopper* can be easily opened and closed. If necessary, select another *location hole* in *clevis strap* and re-adjust *lift rod* where fastened to *clevis strap*.

## Step 9 Attach drain body to drain trap

## Step 10 Flush water supply lines

Thoroughly flush supply lines to prevent foreign matter, i.e. copper chips, sand, etc. from damaging the sealing surface inside control valves.



- Remove aerator from end of faucet spout by rotating counter clockwise
- Turn hot and cold faucet handles to full ON position and then open water supply valves to flush supply lines thoroughly.
- Turn faucet OFF, replace aerator and check for any leaks.

## Care of faucet finish

Clean finish area by using mild soap and water or non-abrasive cleaner and then rinse immediately. A non-abrasive wax may be used to preserve finish area.

## Valve cartridge replacement

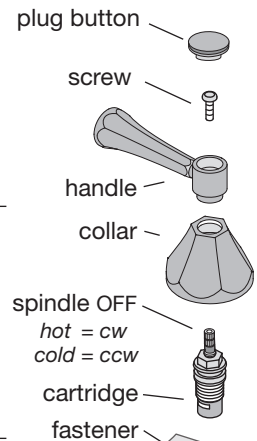
### Step 1 Remove handle

Carefully pry loose *button plug* and remove Phillips head *screw*.

### Step 2 Remove collar

Remove *collar* by turning counter clockwise.

Note: *Ensure not to use any tool that could scratch finish without taking protective measures.*



### Step 3 Remove cartridge

Using a wrench, turn hex nut on *cartridge* counter clockwise.

Note: *Ensure valve assembly under sink doesn't rotate while turning nut.*

### Step 4 Insert cartridge

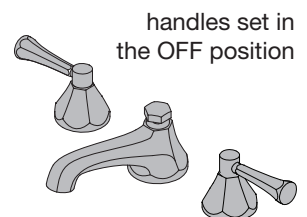
Insert replacement *cartridge* and tighten hex nut using a wrench.

### Step 5 Attach collar

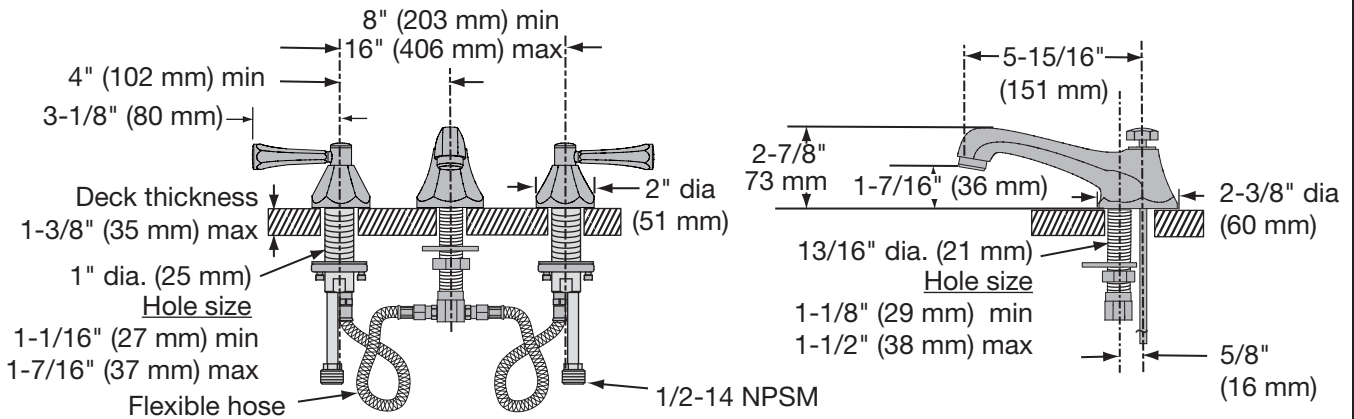
Screw *collar* onto *fastener* and tighten using your hand.

### Step 6 Attach faucet handle

- Ensure cartridge spindle is rotated to the OFF position.
- Attach handle to top of spindle in OFF location as shown.
- Fasten with screw and replace button plug.

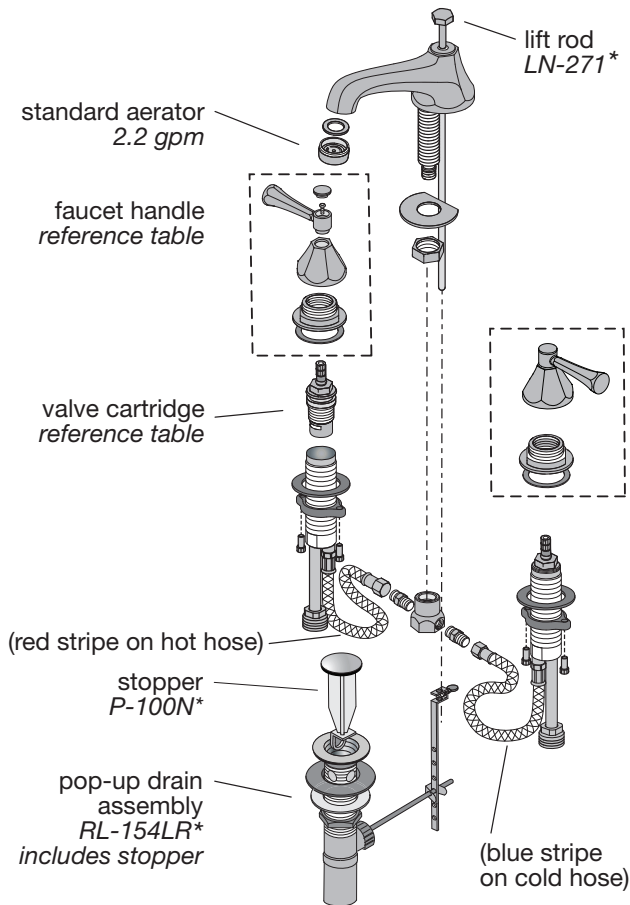


## Dimensions Canterbury Widespread Lavatory Faucet, SLW-4512



**Note:** Dimensions subject to change without notice.

## Parts Assembly Canterbury Widespread Lavatory Faucet, SLW-4512



Replacement Parts	
Part Number	Item
WSF-LOC-RB-KIT*	(1) indicator ring <i>hot=red, cold=blue</i>
1 handle plus both red and blue indicator rings included.	plug button
	screw
	handle
	collar
WSF-LOC-RP-KIT*	fastener
1 handle included, handle does not include indicator rings.	gasket
	(1) Indicator ring is included on some model faucets.
KN-114 (hot) OFF = CW	KN-113 identified by groove
KN-113 (cold) OFF = CCW	
	valve cartridge
LN-15*	aerator flow rates
FLR-110-1.5*	2.2 gpm (8.3L/min)
FLR-110-1.0*	1.5 gpm (5.7L/min)
	1.0 gpm (3.8L/min)

\* Note: For faucets with an optional decorative finish, append appropriate three letter suffix code to part numbers marked with an asterisk (\*).

### Ordering replacement parts:

Contact Symmons customer service at P: (800) 796-6667, F: (800) 848-2250 M-F 7:30 am - 7:00h pm EST or check our website at [www.symmons.com](http://www.symmons.com) for a list of Symmons distributors.

For California Residents

**WARNING:** This product contains chemicals known to the State of California to cause cancer, birth defects, or other reproductive harm.

Symmons Industries, Inc. ■ 31 Brooks Drive ■ Braintree, MA 02184

Phone: (800) 796-6667 ■ Fax: (800) 961-9621

Website: [symmons.com](http://symmons.com) ■ Email: [gethelp@symmons.com](mailto:gethelp@symmons.com)

Copyright © 2017 Symmons Industries, Inc. ■ ZV-566 REV E ■ 082817

**SYMMONS**<sup>®</sup>  
the smart choice™