

SYMMONS® Canterbury®

Roman Tub Faucet SRT-4570

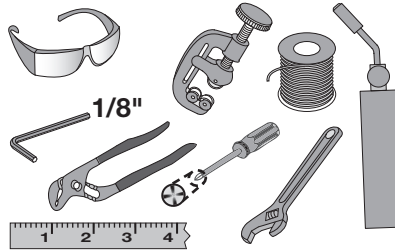
Installation and Service Instructions



Model Numbers

SRT-4570.....Chrome finish
 SRT-4570-STNSatin Nickel finish

Tools & Materials



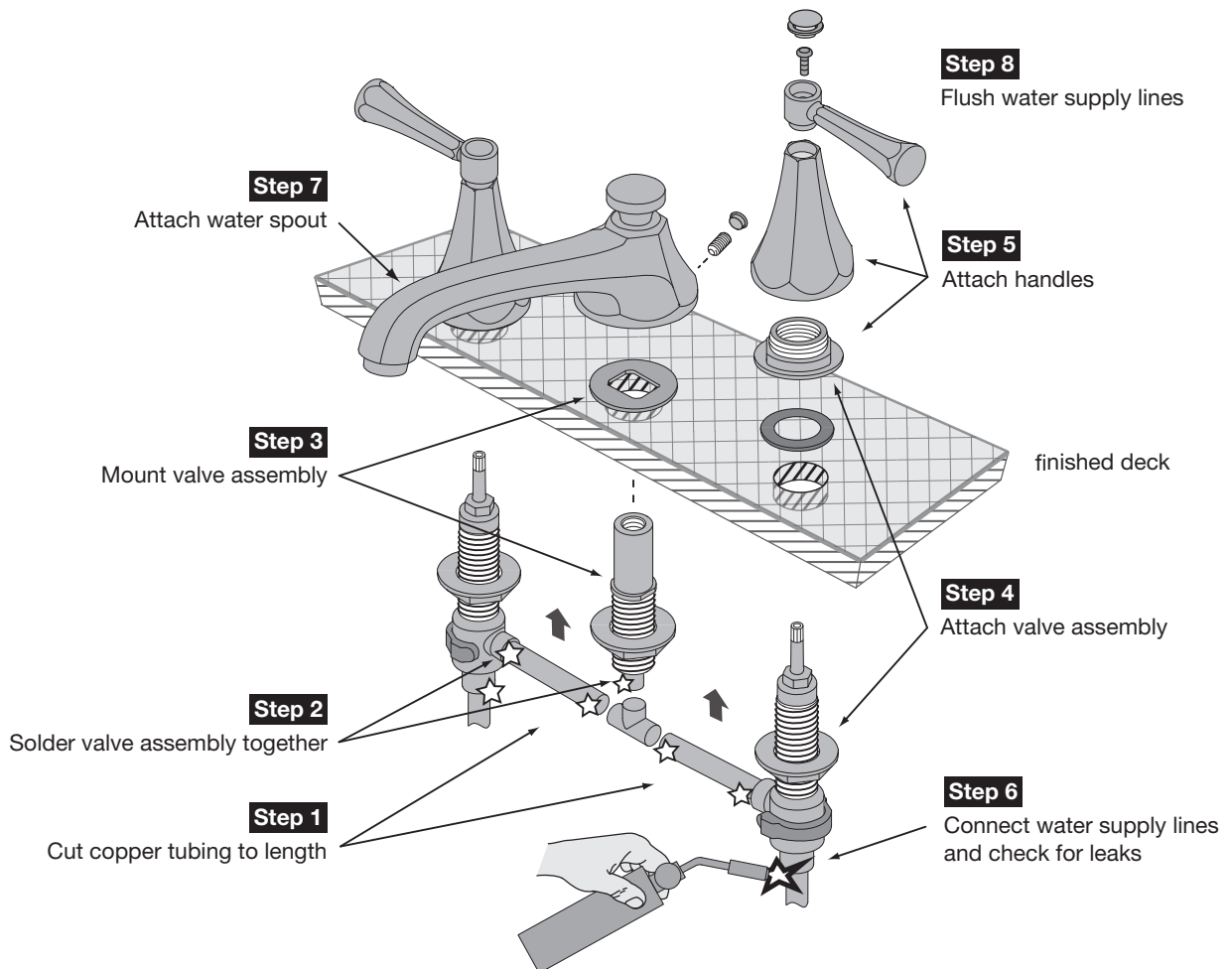
☎ Need Help?

Symmons customer service:
 Phone: (800) 796-6667
 Email: gethelp@symmons.com
 Monday - Friday 7:30 am - 6:00 pm EST
www.symmons.com/service

Compliance

ASME A112.18.1/CSA B125.1 

Quick Install Guide *Canterbury Roman Tub Faucet, SRT-4570*



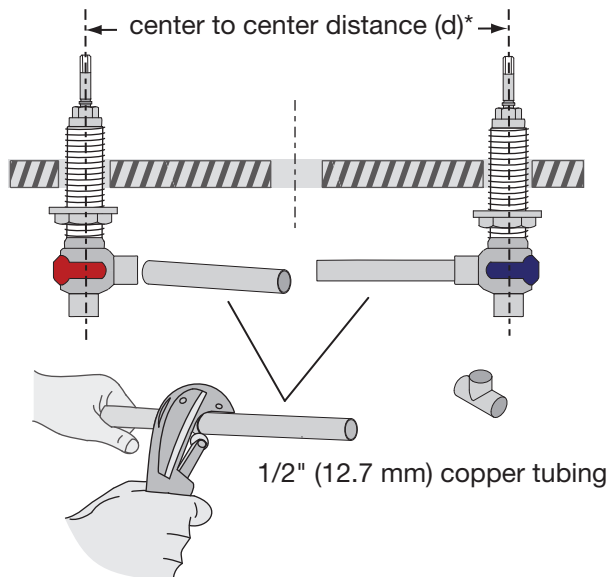
⚠ WARNING: This product can expose you to chemicals including lead, which is known to the state of California to cause cancer, birth defects, or other reproductive harm. For more information, go to www.P65Warnings.ca.gov.

Installation Instructions

Caution: If replacing an older faucet ensure water supply is turned OFF before removing and then turn faucet handles ON to relieve water pressure.

Step 1 Cut copper tubing to length

Length = (d) minus 2-1/4 inches (57 mm) divided by 2.

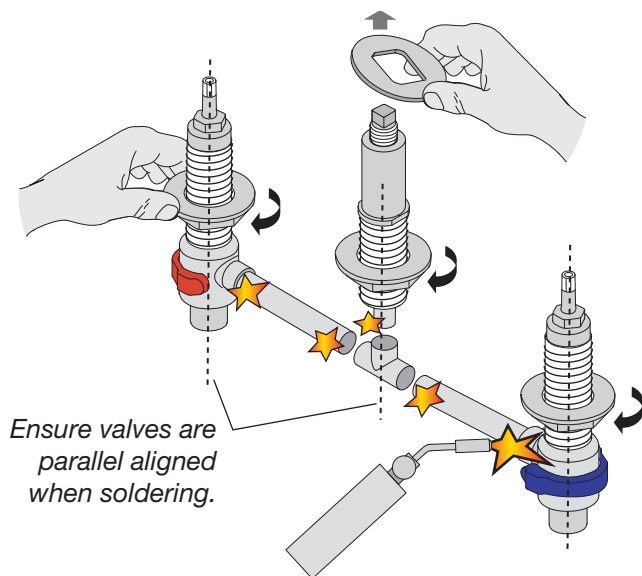


Example:

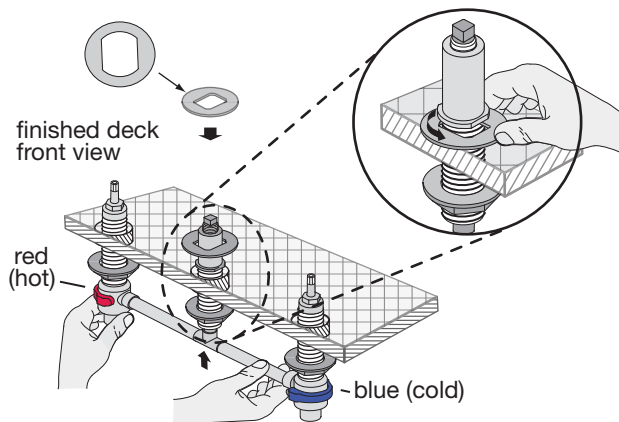
- If center to center distance (d) is 14 inches.
- 14 inches minus 2-1/4 inches = 11-3/4 inches.
- 11-3/4 inches divided by 2 = 5-7/8 inches.
- Cut 2 copper tubes into 5-7/8 inch lengths.

* Maximum distance (d) with supplied copper tubing is 18-1/4 inches (463 mm)

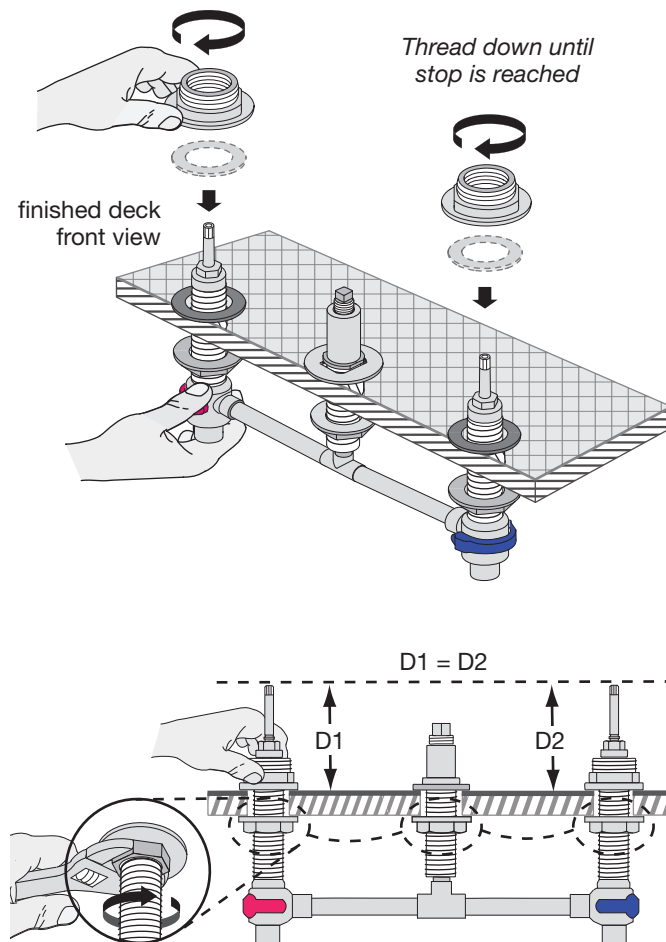
Step 2 Solder valve assembly together



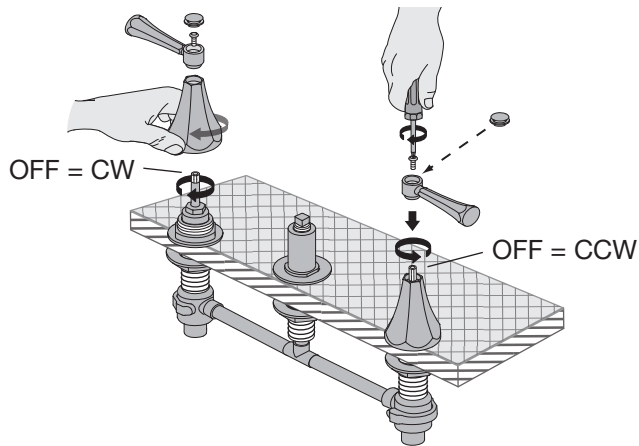
Step 3 Mount valve assembly to deck



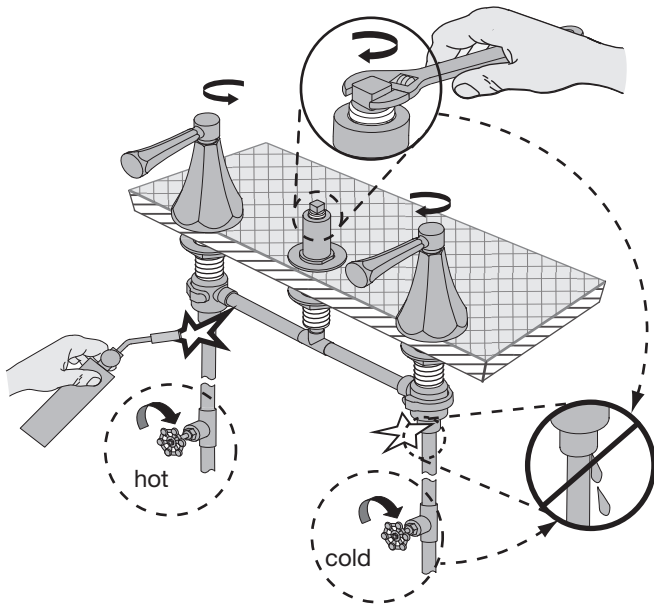
Step 4 Attach valve assembly to deck



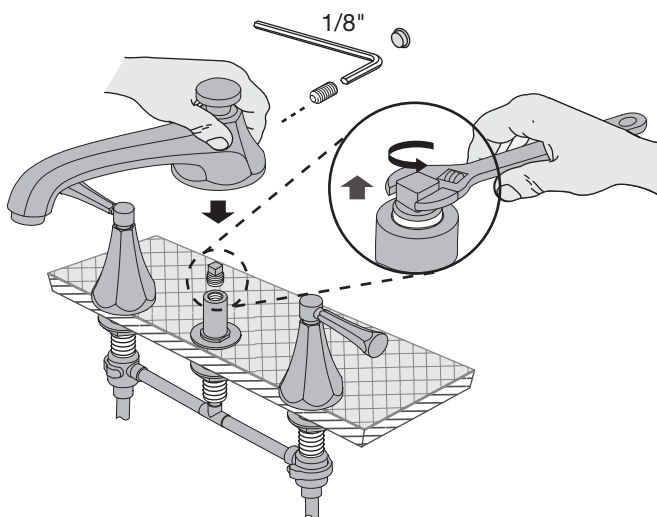
Step 5 Attach faucet handles



Step 6 Solder supply lines to valve inlets



Step 7 Attach faucet spout to deck



Step 8 Flush water supply lines

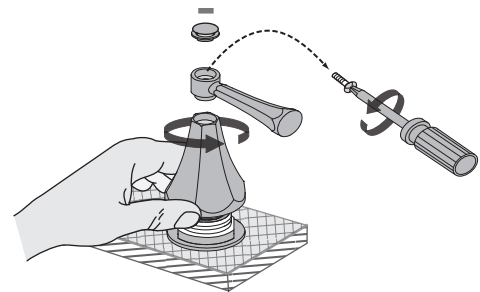


Care of faucet finish

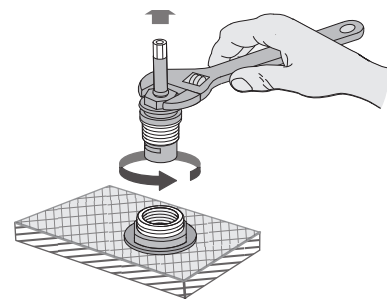
Clean finish area by using mild soap and water or non-abrasive cleaner and then rinse immediately. A non-abrasive wax may be used to preserve finish area.

Valve cartridge replacement

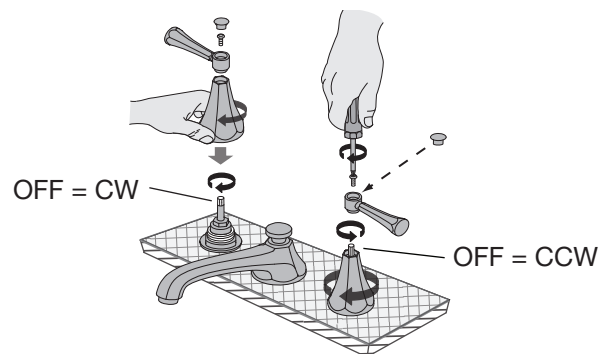
Step 1 Remove faucet handle and collar



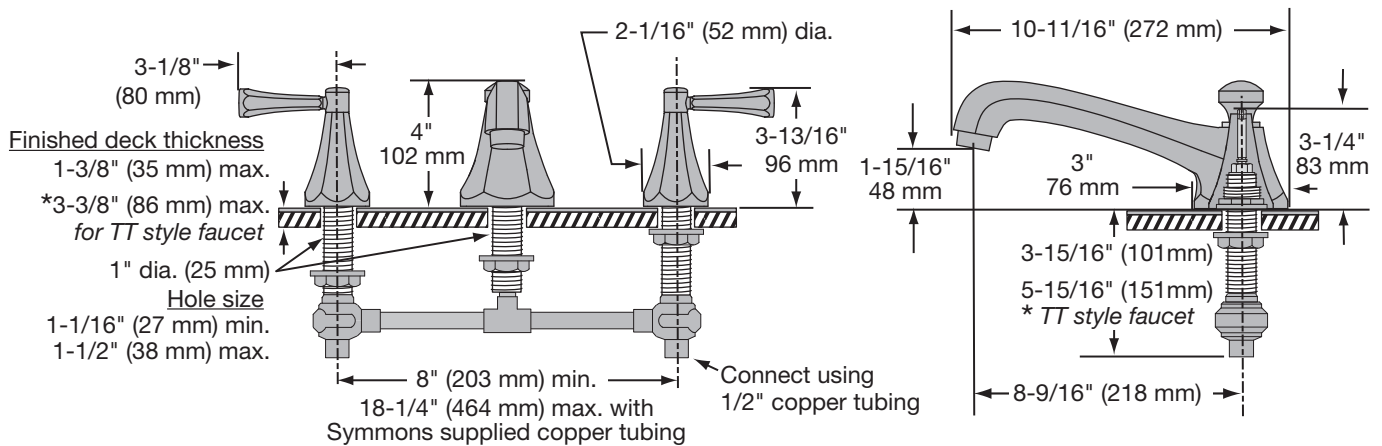
Step 2 Remove and replace cartridge



Step 3 Attach collar and faucet handle

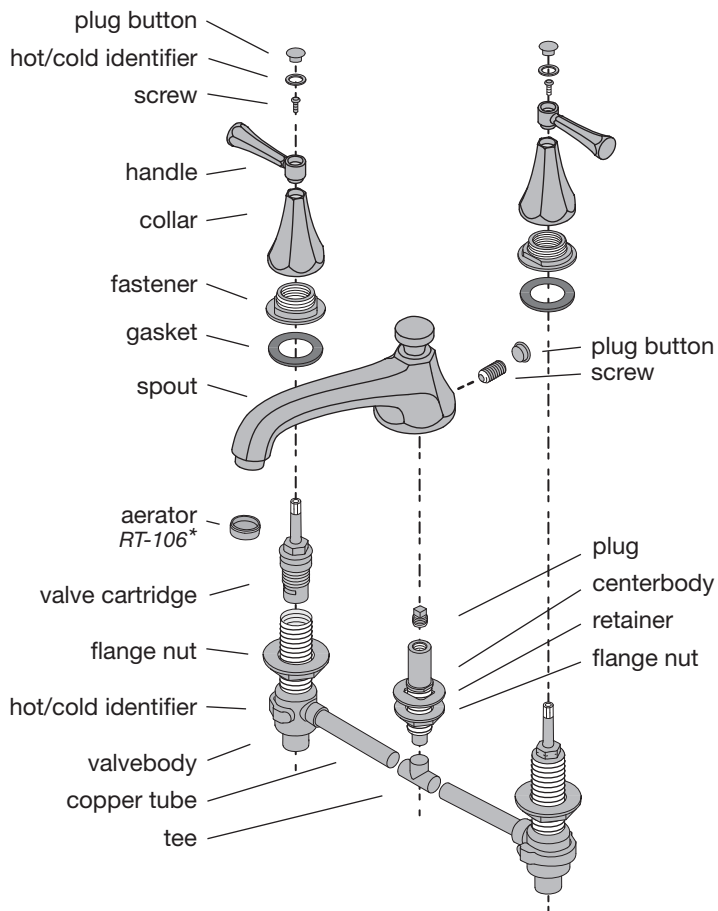


Dimensions Canterbury Roman Tub Faucet, SRT-4570



* Note: Use TT style faucet if deck thickness is 1-3/8" to 3-3/8" (35 mm - 86 mm),
Contact Symmons customer service to special order TT style faucet, model number SRT-4570-TT-BDY

Parts Assembly Canterbury Roman Tub Faucet, SRT-4570



Replacement Parts

Part Number	Item (Qty)
LOCT-RB-KIT*	plug button (2)
	screw (2)
	handle (2)
	collar (2)
	fastener (2)
	gasket (2)
KN-114E (hot) OFF = CW	KN-113E identified by groove
KN-113E (cold) OFF = CCW	
	valve cartridge

* Note: For decorative finish faucets add suffix letters to parts marked with an asterisk.

Ordering replacement parts:

Call Symmons customer service at (800) 796-6667,
(781) 848-2250 M-F 7:30 am - 6:00 pm EST or
check our website at www.symmons.com for a
list of Symmons distributors.