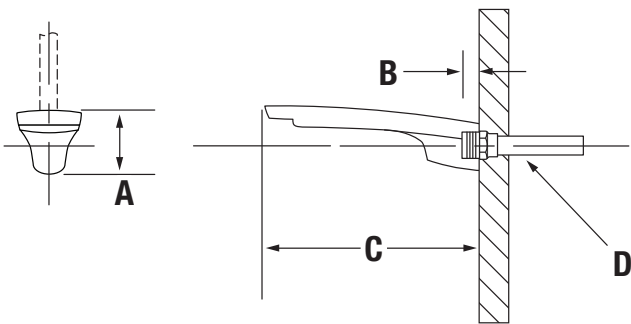


412TS  
 Naru™ Non-Diverter Tub Spout  
**Operation & Maintenance Manual**

Model Numbers	Specifications
<input type="checkbox"/> <b>412TS</b> <i>Non-Diverter Tub Spout</i>	Non-diverter tub spout made from brass plated in standard polished chrome finish.
Modifications	Warranty
<input type="checkbox"/> <b>-PNL</b> <i>Polished nickel finish</i> <input type="checkbox"/> <b>-STN</b> <i>Satin nickel finish</i>	<b>Limited Lifetime</b> - to the original end purchaser in consumer installations. <b>5 Years</b> - for commercial installations.  Refer to <a href="http://www.symmons.com/warranty">www.symmons.com/warranty</a> for complete warranty information.
<b>Note:</b> Append appropriate -suffix to model number.	

**Dimensions**



Measurements	
A	2 1/8", 54 mm
B	1/2", 13 mm
C	7 1/8", 181 mm
D	1/2" NPT

Required for Installation	
Plumber tape	

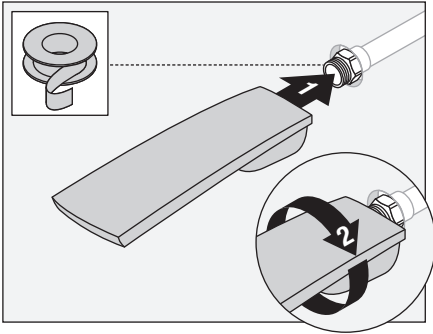
**Note:** Append appropriate -suffix to model number.

---

## Installation

---

1) Install tub spout to pipe fitting. Turn clockwise to secure.



---

## Care and Cleaning

---

1) Clean finished trim area with a soft cloth using mild soap and water or a non-abrasive cleaner and then quickly rinse with water.

---