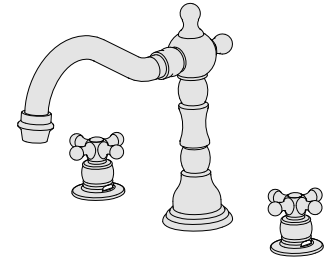




SYMMONS[®] Carrington[®]

Roman Tub Faucet SRT-4470

Installation and Service Instructions



Compliance: ASME A112.18.1/CSA B125.1



Caution: Be sure to turn off hot and cold water supplies before installing or servicing faucet.

Installation Procedure:

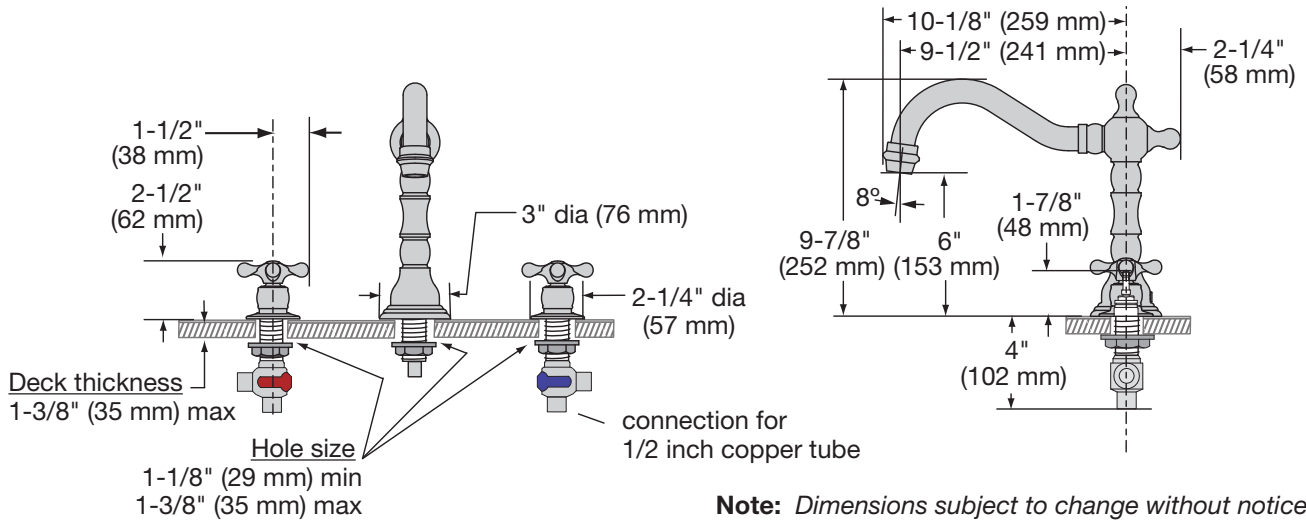
1. Drill three 1 1/4" holes into the deck (maximum deck thickness 1-3/8").
2. Cut 1/2" copper tubing (RT-108) to length required.
Example: If a 10" valve center to valve center is required, the tubing should be cut to 3 7/8". The maximum overall center to center dimension with supplied tubing is 18-1/4".
For greater widths the installer will need to provide their own tubing.
3. Ensure the centerbody nut (RT-103N) is threaded onto the centerbody (RT-100) and then install 3/8" plug (RT-105).
Solder the branch of the tee (HPT-10) to the centerbody. Cut to proper length and solder the two 1/2" copper tubing (RT-108) into the run of the tee (HPT-10) and into the valve bodies (RT-103).
4. Push assembly through deck holes from the bottom with hot on left.
Slip retaining plate (RT-101) over the centerbody (RT-100) making sure the retaining plate (RT-101) slides over the flange of the centerbody.
Then turn the retaining plate 90 degrees under the nut on the centerbody (RT-100) to hold in place. The soldered assembly should be held in position on the deck making sure the hot cartridge is on the left.
Ensure the tops of the valve bodies measure approximately 1-7/8" from the finished deck by adjusting centerbody and valve body nuts (RT-103N).
Note: If tile or finished surface will be installed while the plumbing is in a "roughed in state" the retaining plate (RT-101) should be shimmed the thickness of the finishing material.
5. Tighten the centerbody nut (RT-103N) under the deck. Thread valve body nuts (RT-103N) up to base of deck but do not tighten.
6. Solder 1/2" hot and cold supplies to valve bodies (RT-103).
7. The system can be tested at this time.
Remove plug (RT-105) when the spout (RT-135) is to be assembled onto the faucet.

8. Grease o-ring (T-2) in the bore of the spout.
Assemble spout onto centerbody with gasket (RT-165) under the spout.
Tighten spout (RT-135) in place with set screw (SC-15A).
Important: O-ring (T-2) can be damaged if set screw (SC-15A) is overtightened during installation. If faucet begins to leak from under spout, replace o-ring (T-2).
9. Thread handle escutcheons (RT-104) onto valve bodies. Thread collar (LN-112) onto the valve body until it reaches the escutcheons (RT-104).
Tighten three body nuts (RT-103N) securely.
10. Faucet handle installation:
Place handle on valve spindle and thread screw (LN-121A) into valve.
11. It is very important to thoroughly flush the supply lines to prevent foreign matter, i.e. copper chips, sand, stones, etc. from damaging the sealing surfaces of cartridge.
Remove aerator and open hot and cold to full open then open both supplies.
Let water run through hot and cold long enough to flush supply lines thoroughly.
Shut off faucet and replace aerator. Check for leaks.

Cartridge Replacement (KN-113 or KN-114)

1. Remove plug button (LN-243C or LN-243H), loosen Philip head screw (LN-121A) and remove handle (LN-177).
2. Remove collar (LN-112) by turning counter clockwise. Caution: Do not use wrench as this may damage the surface finish.
3. Place wrench on cartridge hex nut (KN-113, KN-114). Turn wrench counter clockwise until cartridge is removed.
4. Install new cartridge. Turn cartridge with wrench until cartridge does not turn easily then turn 1/4 to 1/2 turn further. Reassemble handle in reverse fashion.

Dimensions Carrington Roman Tub Faucet, SRT-4470

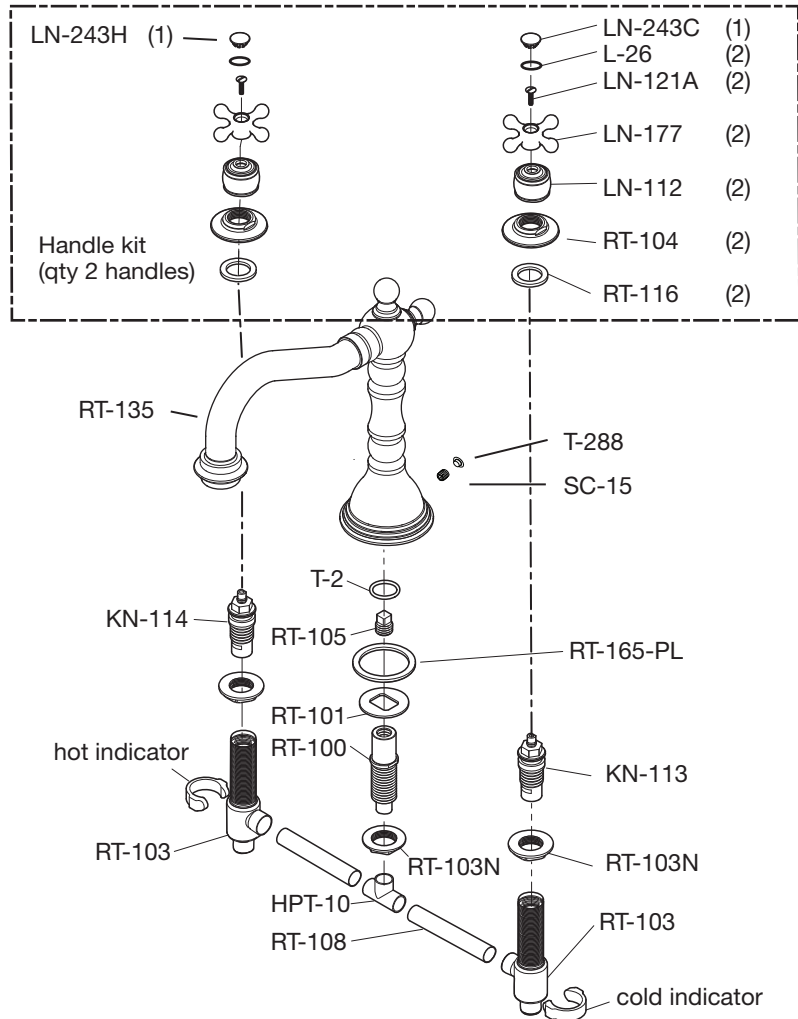


Dimensions Carrington Roman Tub Faucet, SRT-4470

HPT-10	1/2" Copper Tee
KN-113	Valve cartridge, cold
KN-114	Valve cartridge, hot
LN-112*	Collar (lever handle) (2)
LN-121A*	Oval Philips head screw (2)
LN-177*	Cross handle (2)
RT-100	Centerbody
RT-101	Plate, Retaining
RT-103	1/2" Valve body (2)
RT-103N	Nut (3)
RT-104	Escutcheon (2)
RT-105	Plug, 3/8" NPT Brass
RT-108	Tubing, 1/2" (2)
RT-116	Gasket, Escutcheon (2)
RT-135	Spout
RT-165-PL	Ring
SC-15	Set screw (spout)
T-2	O-ring (spout)
T-288	Plug Button (spout)
RT-CRP-KIT*	Handle kit (hot & cold handles)

*For Decorative Finish Faucets add suffix to parts marked with an asterisk as follows:

Suffix STN: Satin Nickel finish



WARNING: This product can expose you to chemicals including lead, which is known to the state of California to cause cancer, birth defects, or other reproductive harm. For more information, go to www.P65Warnings.ca.gov.