






SYMMONS® DS Creations

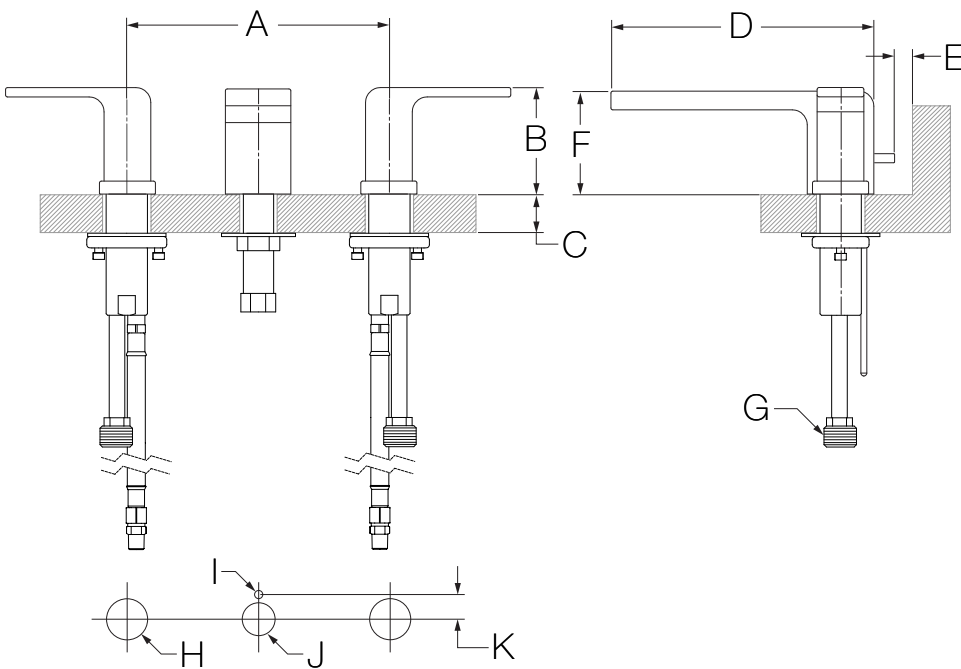
the smart choice™

SLW-8602-1.5 Two Handle Widespread Lavatory Faucet Installation Guide



Model Numbers	Specification
<input type="checkbox"/> SLW-8602-1.5 <i>Two Handle Widespread Lavatory Faucet</i>	Two Handle Widespread Lavatory Faucet featuring 8"-16" mounting configuration shall include ceramic cartridges, 3/8" copper supply lines, 1/2" IPS inlet connections, metal drain assembly and 1.5 gpm (5.7 L/min) flow restrictor. Faucet shall be made from metal construction, plated in standard polished chrome finish.
Modifications	
<input type="checkbox"/> -1.0  <i>1.0 gpm (3.8 L/min) flow restrictor</i> Note: Append appropriate -suffix to model number.	
Warranty	
Limited Lifetime - to the original end purchaser in consumer/residential installations. 5 Years - for industrial/commercial installations. Refer to www.symmons.com/warranty for complete warranty information.	Compliance -ASME A112.18.1/CSA B125.1 -NSF/ANSI 61.9, NSF/ANSI 372 <div style="text-align: right;"></div>

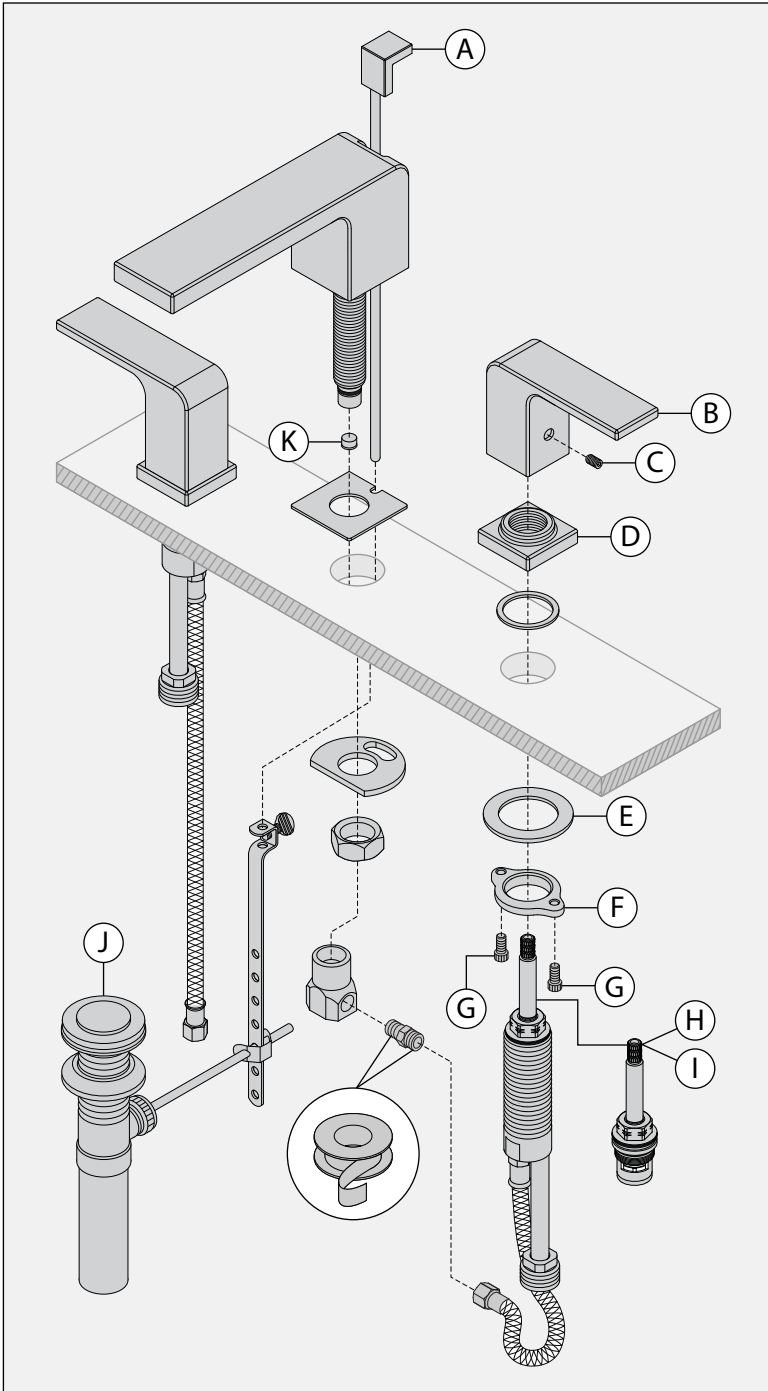
Dimensions



Measurements	
A	8", 203 mm
B	2-7/8", 73 mm
C	Deck Thickness Ref. Min. 7/8", 22 mm Max. 2-3/8", 60 mm
D	7", 178 mm
E	To Backsplash 1-7/8", 48 mm
F	2-3/4", 70 mm
G	1/2-14 NPSM
H	(2x) Hole Size Min. Ø 1-1/4", 32 mm Max. Ø 1-3/8", 35 mm
I	Hole Size Min. Ø 1/4", 6 mm Max. Ø 3/8", 10 mm
J	Hole Size Min. Ø 7/8", 22 mm Max. Ø 1", 25 mm
K	3/4", 19 mm



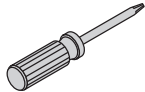


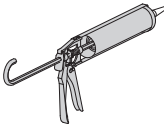
Note: Dimensions subject to change without notice.

Parts Breakdown



Replacement Parts		
Item	Description	Part Number
A	Lift Rod	RL-022
B	Handle	LN-598-42ND-KIT
C	Set Screw	
D	Flange	
E	Washer	RL-187
F	Mounting Nut	
G	Mounting Screws	
H	Cold Cartridge	KN-113
I	Hot Cartridge	KN-114
J	Metal Drain	RL-154LR
K	1.0 Flow Restrictor	FLR-103-1.06
	1.5 Flow Restrictor	FLR-103-1.32

Tools Required for Installation

Adjustable Wrench	
Allen Wrench: Handle (2 mm)	
Phillips Head Screwdriver	
Plumber Putty	
Plumber Tape	
Silicone	

Notes:

- 1) Apply a bead of silicone around the perimeter of trim installed flush to sink.
- 2) Apply plumber tape to all threaded connections.

⚠ WARNING: This product can expose you to chemicals including lead, which is known to the state of California to cause cancer, birth defects, or other reproductive harm. For more information, go to www.P65Warnings.ca.gov.