



SYMMONS® Ballina®

Widespread Lavatory Faucet SLW-5212 Series Installation Brief



Model Numbers

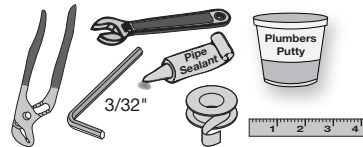
SLW-5212 Series Widespread Lavatory Faucet with pop-up drain and standard chrome finish

Decorative Finishes

Append 3 letter finish suffix code to part numbers when applicable

- STN...Satin nickel
- BBZ...Brushed bronze

Tools & Materials



Compliance

- ASME A112.18.1/CSA B125.1
- NSF/ANSI 61.9, NSF/ANSI 372
- WaterSense 1.0 & 1.5 gpm



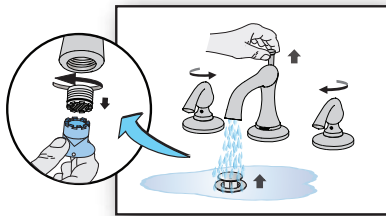
Need Help?

Contact Symmons customer service at (800) 796-6667, (781) 848-2250
Email: customerservice@symmons.com
Monday - Friday 7:30 am - 7:00 pm EST

Please check Symmons website for technical help, the latest product information and warranty policy.
www.symmons.com

Quick Install Guide Ballina Widespread Lavatory Faucet, SLW-5212 Series

Step 9 Flush lines and check for leaks



Step 3
Attach spout

Step 4
Apply pipe sealant or plumber tape to flex hose adapters. Connect hose between valve and tee fitting

Removable stopper
Non-Removable stopper

Step 5
Fasten drain body and tail piece to sink

3/32" Allen wrench

Step 2
Attach handles

Step 1
Attach control valves

finished deck, front view

Step 8
Connect supply lines

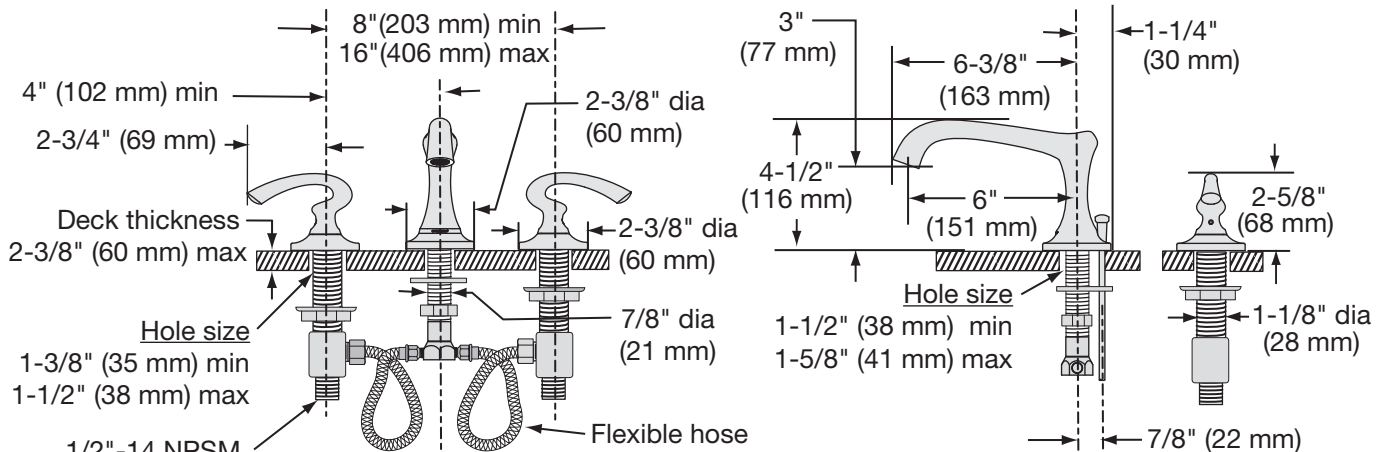
Step 7
Connect lift rod, clevis strap, pivot rod and adjust linkage

Step 6
Install stopper and pivot rod

HOT

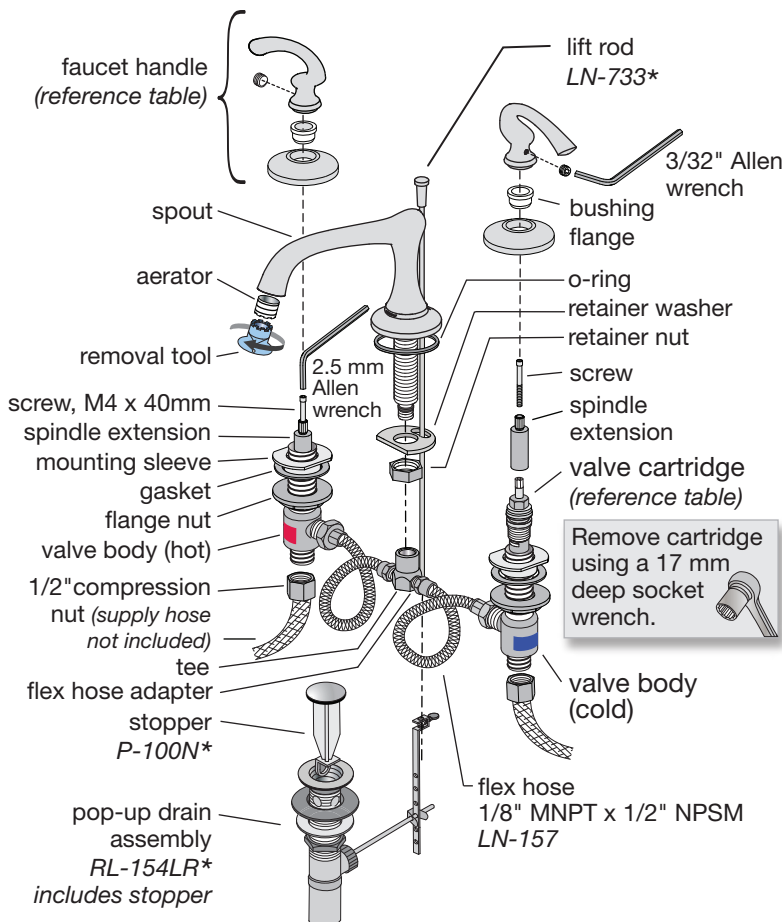
COLD

Dimensions Ballina Widespread Lavatory Faucet, SLW-5212 Series



Note: Dimensions subject to change without notice.

Parts Assembly Ballina Widespread Lavatory Faucet, SLW-5212 Series



* Note: When ordering parts for products with an optional decorative finish, append appropriate three letter finish suffix code to part numbers marked with an asterisk (*)

Replacement Parts

Part Number	Item
WSF-522L-KIT * 2 handle set included	<ul style="list-style-type: none"> handle assy bushing flange sleeve gasket set screw 10-32 x 1/8" socket screw M4 x 40 mm spindle extension
KN-114 (hot) OFF = CW KN-113 (cold) OFF = CCW	<p>KN-113 identified by groove</p> <p>valve cartridge</p>
LN-333-KIT FLR-102-1.5-KIT LN-742-KIT	<p>aerator flow rates</p> <ul style="list-style-type: none"> 2.2 gpm (8.3L/min) 1.5 gpm (5.7L/min) 1.0 gpm (3.8L/min) <p>aerator removal tool included in all kits, p/n LN-383</p>

Ordering replacement parts:

Call Symmons customer service at (800) 796-6667, (781) 848-2250 M-F 7:30 am - 7:00 pm EST
Check our website at www.symmons.com for a list of Symmons distributors.

For California Residents

WARNING: This product contains chemicals known to the State of California to cause cancer, birth defects, or other reproductive harm.