






SYMMONS® DS Creations

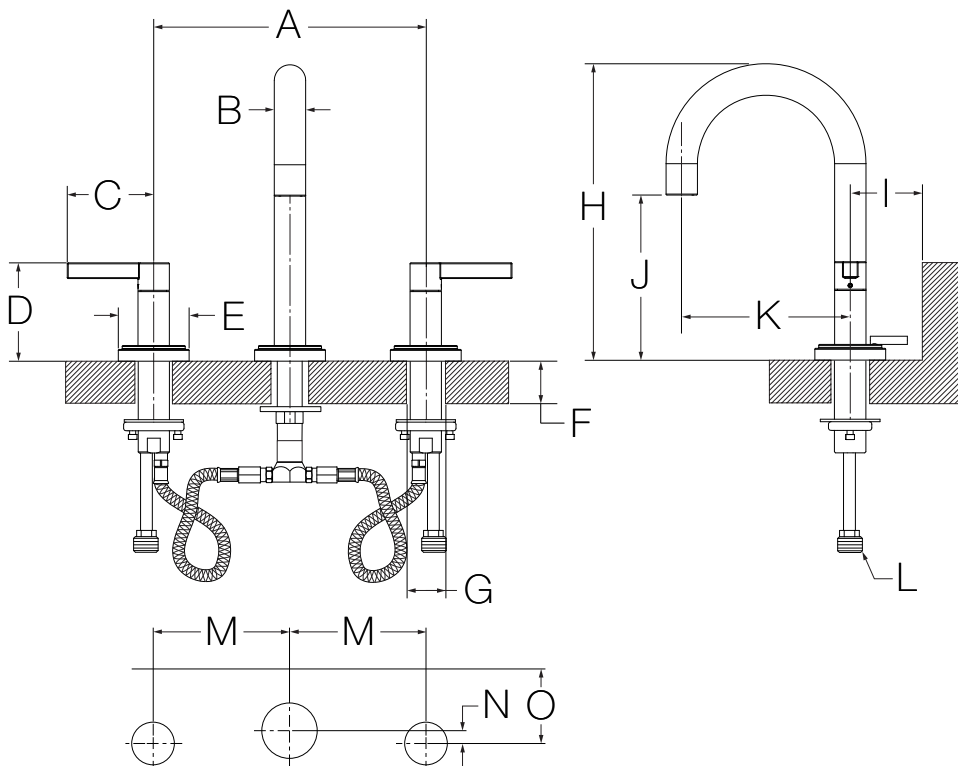
the smart choice™

SLW-0479-12 (CDSLW0479-12) Two Handle Widespread Lavatory Faucet Operation & Maintenance Manual



Model Numbers	Specification
<input type="checkbox"/> SLW-0479-12 <i>Two Handle Widespread Lavatory Faucet</i>	<p>Two Handle Widespread Lavatory Faucet featuring 8"-16" mount shall include quarter turn ceramic cartridges, 1/2" IPS inlet connections, metal drain assembly and 2.2 gpm (8.3 L/min) aerator. Faucet shall be made from metal construction, plated in standard polished chrome finish.</p> 
Modifications <input type="checkbox"/> -1.0  <i>1.0 gpm (3.8 L/min) flow restrictor</i> Note: Append appropriate -suffix to model number.	
Warranty	
<p>Limited Lifetime - to the original end purchaser in consumer/residential installations. 5 Years - for industrial/commercial installations. Refer to www.symmons.com/warranty for complete warranty information.</p>	Compliance -ASME A112.18.1/CSA B125.1 -NSF/ANSI 61.9, NSF/ANSI 372 

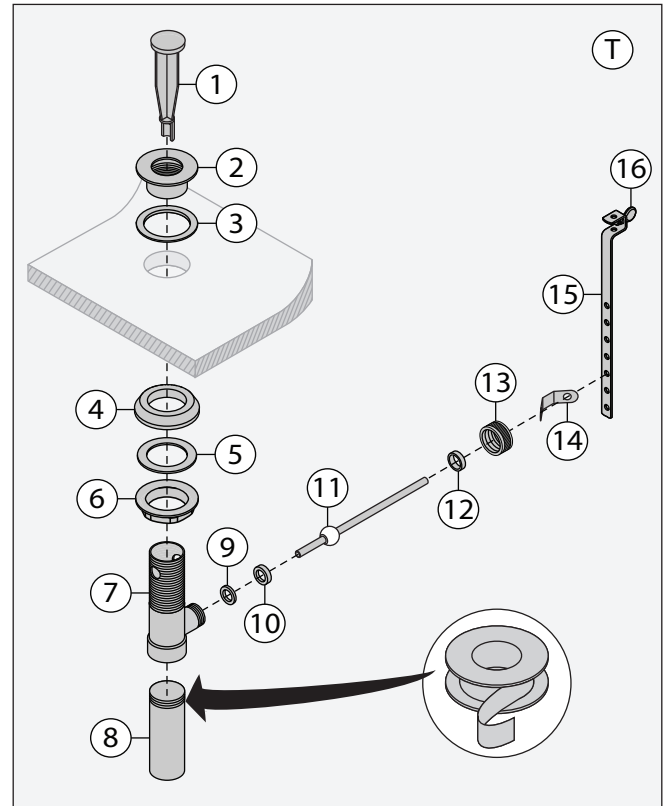
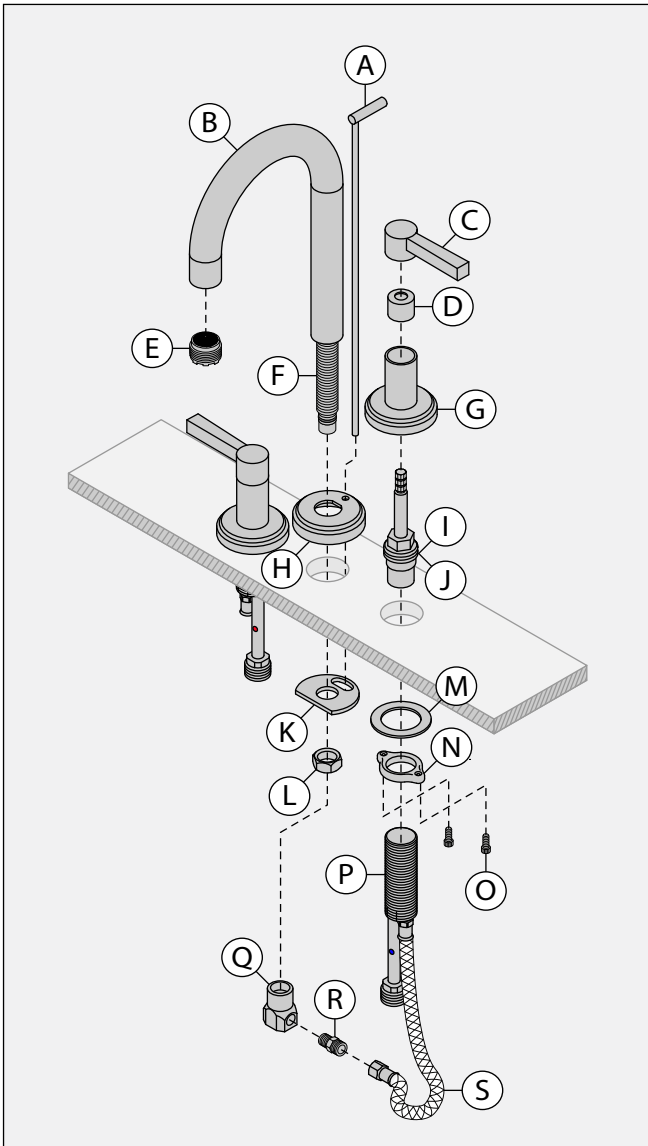
Dimensions



Measurements	
A	8", 203 mm
B	Ø 1", 25 mm
C	(2x) 2-3/4", 70 mm
D	(2x) 3-1/8", 79 mm
E	(2x) Ø 2-1/4", 57 mm
F	Deck Thickness Ref. Min. 1", 25 mm Max. 2", 51 mm
G	Hole Size (3x) Max. Ø 1-1/2", 38 mm
H	9-7/16", 240 mm
I	2-7/8", 73 mm
J	5-1/4", 133 mm
K	5-3/8", 137 mm
L	(2x) 1/2"-14 NPSM
M	4", 102 mm
N	3/16", 5 mm
O	To Backsplash Min. 2-7/8" (73 mm)


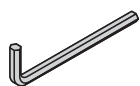
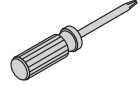



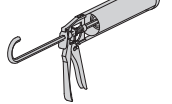
Note: Dimensions subject to change without notice.

Parts Breakdown




Notes:

- 1) Apply a bead of silicone around the perimeter of trim installed flush to sink.
- 2) Apply plumber tape to all threaded connections.

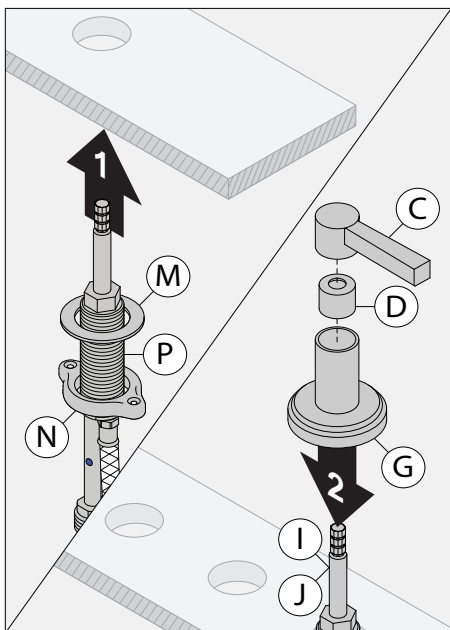
Tools Required for Installation	
Adjustable Wrench	
Allen Wrench: Handle (2 mm)	
Phillips Head Screwdriver	
Pipe Sealant	
Plumber Putty	
Plumber Tape	
Silicone	

Replacement Parts		
Item	Description	Part Number
A	Lift Rod	P-134
C	Handle & Set Screw	RL-013
D	Bushing	RL-016
E	2.2 Aerator 1.0 Aerator	RO-006 RO-008
H	Spout Flange	RL-116
I	Hot Cartridge	KN-114E
J	Cold Cartridge	KN-113E
M	Mounting Washer	RL-187
N	Mounting Nut	
O	Mounting Screw	
T	Metal Drain	RL-154LR

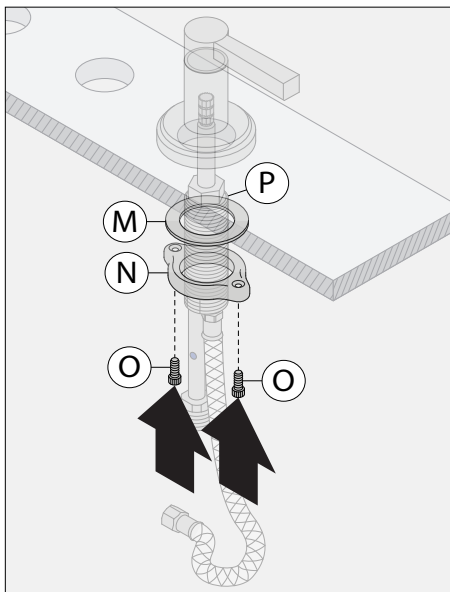
Installation

 Water lines **MUST** be thoroughly flushed **BEFORE** and **AFTER** installing the faucet to prevent foreign matter i.e. copper chips, sand, stones, etc. from clogging and possibly damaging the sealing surfaces of the cartridge.

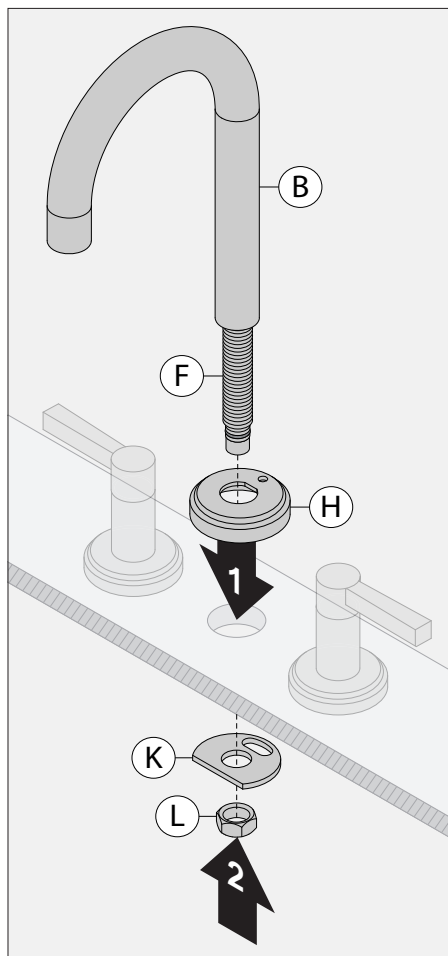
- 1) Move valve bodies (P) and mounting hardware (M & N) through sink holes from under deck. Install handle escutcheons (G), bushings (D) and handles (C) to valve cartridges (I & J). Secure with handle set screws.



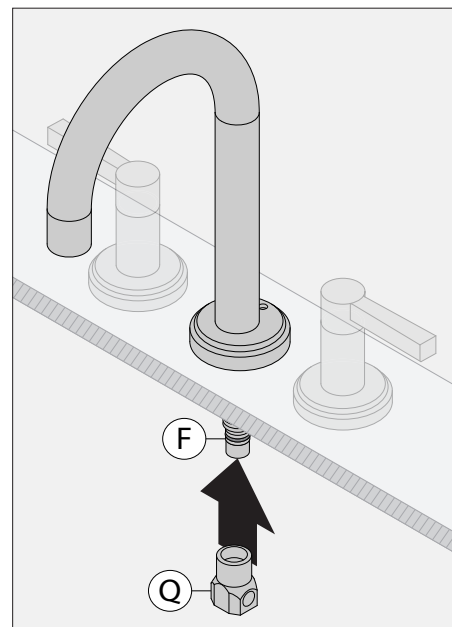
- 2) Secure mounting washers (M), mounting brackets (N) and valve bodies (P) to deck surface by tightening mounting screws (O).



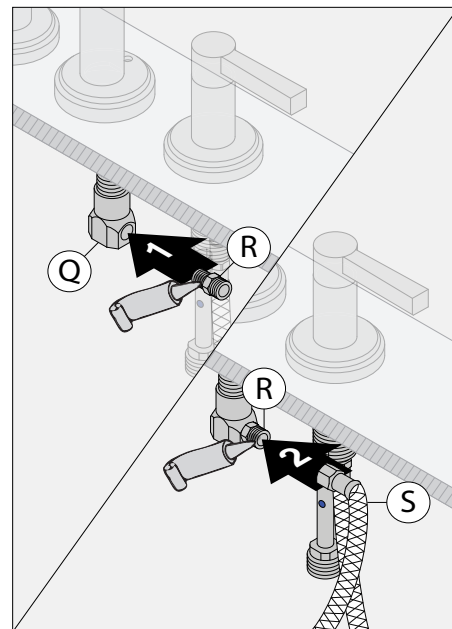
- 3) Install spout (B) and spout escutcheon (H) to deck surface. Install mounting washer (K) and mounting nut (L) to centerbody (F) to secure spout (B) to deck.



- 4) Install adapter tee (Q) to centerbody (F).



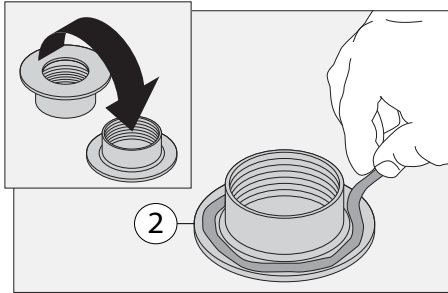
- 5) Apply pipe sealant to flex hose adapters (R) and install to adapter tee (Q). Install flex hoses (S) to flex hose adapters.



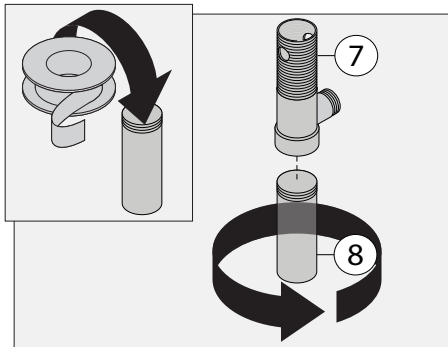
Note: Apply pipe sealant to both sides of flex hose adapters (R).

Installation

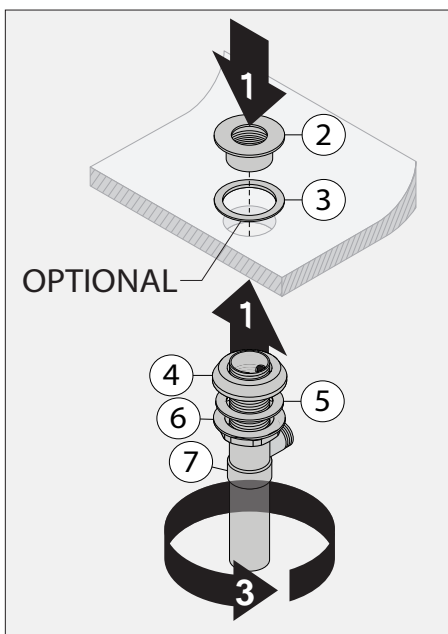
- 6) Apply plumber putty to underside of flange (2).



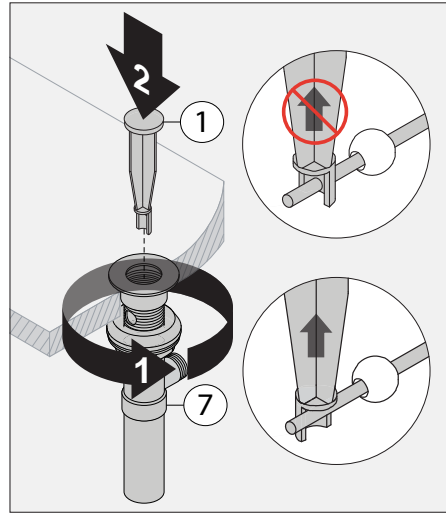
- 7) Apply plumber tape to threads on tailpiece (8) and install tailpiece to drain body (7), tightening by hand.



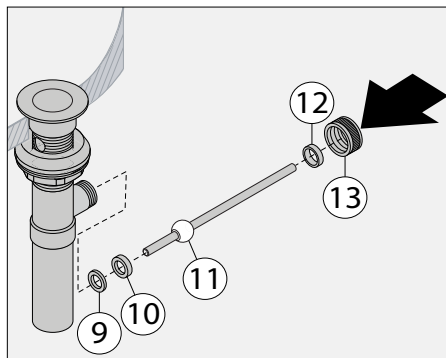
- 8) Seat flange (2) into sink. From below deck, install gasket (4), washer (5), nut (6) and drain assembly (7) to flange, but **do not** secure nut.



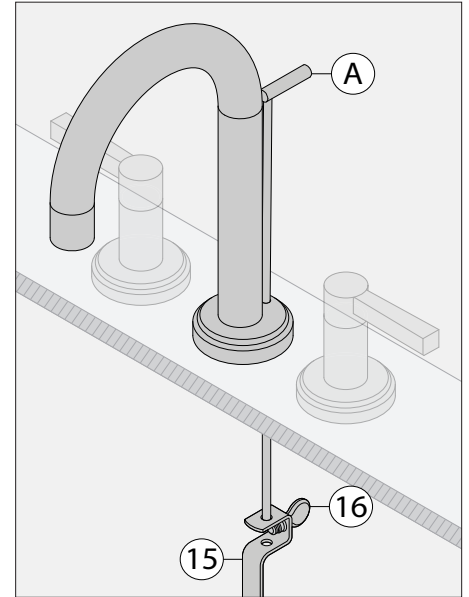
- 9) Turn drain assembly (7) so rod inlet is facing toward faucet. Secure hardware from below sink. Install stopper (1) in the removable or non-removable position.



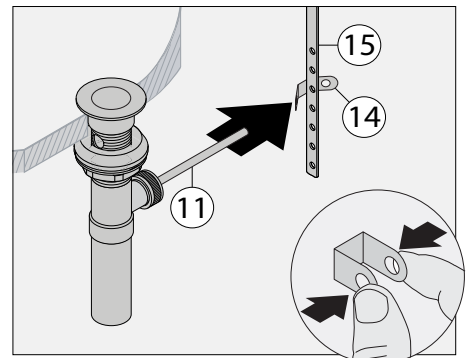
- 10) Attach washer (9), inner ball rod washer (10), ball rod (11) and outer ball rod washer (12) to drain assembly (7). Hand tighten ball rod nut (13) to secure ball rod.



- 11) Connect lift rod (A) to clevis strap (15) and secure with thumb screw (16).

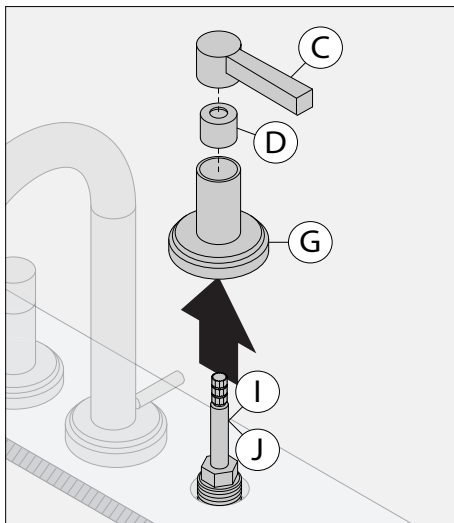


- 12) Insert ball rod (11) through spring clip (14) and clevis strap (15). Secure with spring clip. Adjust linkage as necessary.

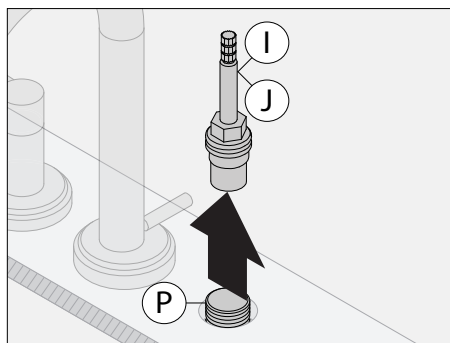


Maintenance

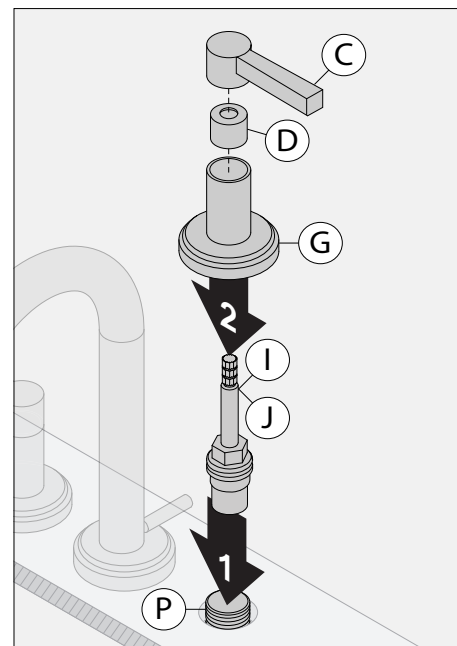
1) Remove handle set screw from handle (C). Uninstall handle (C), bushing (D) and handle escutcheon (G) from cartridge (I or J).



2) Remove cartridge (I or J) from valve body (P) and inspect for debris. Replace cartridge if necessary.



3) Install cartridge (I or J) following the procedure outlined in steps 1 and 2 in reverse.



Troubleshooting Chart

Problem	Cause	Solution
Finish is spotting.	Elements in water supply may cause water staining on finish.	Clean finished trim area with a soft cloth using mild soap and water or a non-abrasive cleaner and then quickly rinse with water.

⚠ WARNING: This product can expose you to chemicals including lead, which is known to the state of California to cause cancer, birth defects, or other reproductive harm. For more information, go to www.P65Warnings.ca.gov.