






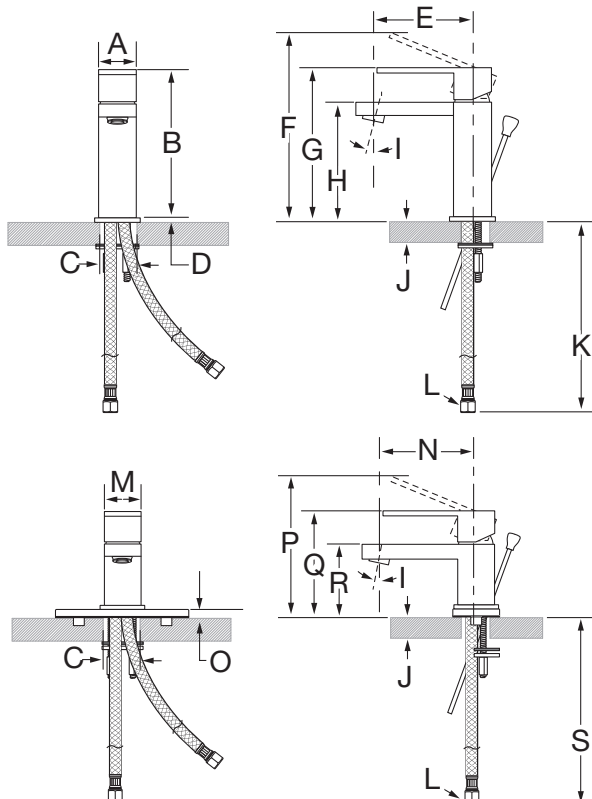


# SLS-3612-1.5, SLS-3622-1.5 Duro® Single Handle Lavatory Faucet Operation & Maintenance Manual



<b>Model Numbers</b>	<b>Specification</b>
<input type="checkbox"/> <b>SLS-3612-1.5</b> <i>Duro Single Handle Lavatory Faucet (6-7/8" height)</i> <input type="checkbox"/> <b>SLS-3622-1.5</b> <i>Duro Single Handle Lavatory Faucet (4-1/2" height)</i>	<p>Single handle lavatory faucet featuring a single hole mounting configuration. Includes ceramic cartridge, nylon braided hoses with 3/8" compression fittings, metal drain assembly and standard 1.5 gpm (5.7 L/min) aerator. Components made from brass and nonmetallic materials plated in standard polished chrome finish.</p> 
<b>Modifications</b>	<b>Warranty</b>
<input type="checkbox"/>  -0.5 0.5 gpm (1.9 L/min) aerator <input type="checkbox"/>  -1.0 1.0 gpm (3.8 L/min) aerator  <b>Note:</b> Append appropriate -suffix to model number.	<p><b>Limited Lifetime</b> - to the original end purchaser in consumer/residential installations.  <b>5 Years</b> - for industrial/commercial installations.          Refer to <a href="http://www.symmons.com/warranty">www.symmons.com/warranty</a> for complete warranty information.</p>
<b>Compliance</b> -ASME A112.18.1/CSA B125.1 -NSF/ANSI 61.9, NSF/ANSI 372 -WaterSense 1.5 gpm (5.7 L/min)  	

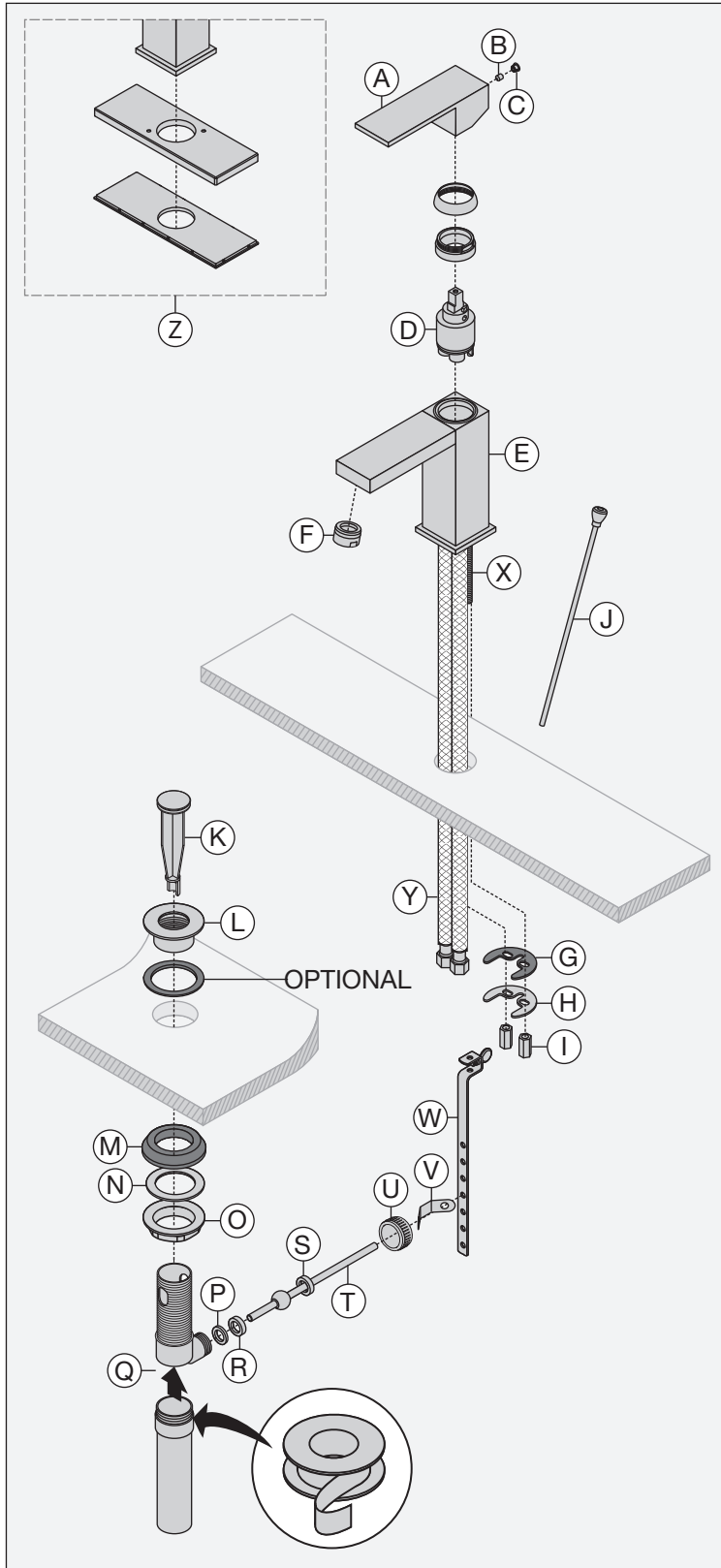
## Dimensions







Measurements	
A	1-11/16", 43 mm
B	6-11/16", 170 mm
C	Hole Size: Min. Ø 1-1/4", 32 mm Max. Ø 1-1/2", 38 mm
D	3/16", 5 mm
E	4-7/16", 113 mm
F	8-7/16", 214 mm
G	6-7/8", 175 mm
H	5-5/16", 135 mm
I	12°
J	Deck Thickness Ref. Min. 7/8", 22 mm Max. 2-1/2", 64 mm
K	24", 610 mm
L	3/8" compression fitting
M	1-11/16", 43 mm
N	4-5/8", 118 mm
O	3/8", 9 mm
P	6-9/16", 167 mm
Q	4-1/2", 114 mm
R	3-1/2", 89 mm
S	25", 635 mm

**Note:** Dimensions subject to change without notice.

# Parts Breakdown

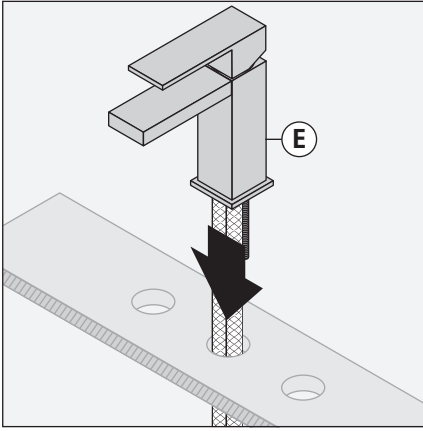


Replacement Parts		
Item	Description	Part Number
A	Handle	
B	Set Screw	LN-01416
C	Plug Button	
D	Cartridge with Limit Stop	RL-070
F	Aerator 1.5 Aerator 1.0 Aerator 0.5	RL-059-1.5 RL-059-1.0 RL-059-0.5
J	Lift Rod	RL-015
K	Stopper	RL-016
G, H	Mounting Gaskets (2x)	
I	Fasteners	RL-011
Y	Supply Hose	
Z	Deck Plate	RL-082

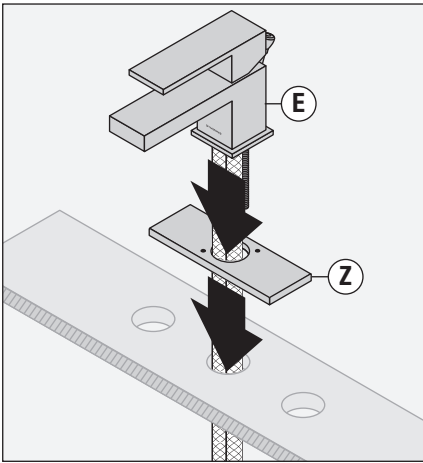
Required for Installation	
Adjustable wrench	
Allen wrench: 2.5mm	
Plumber tape	
Plumber putty	

# Installation

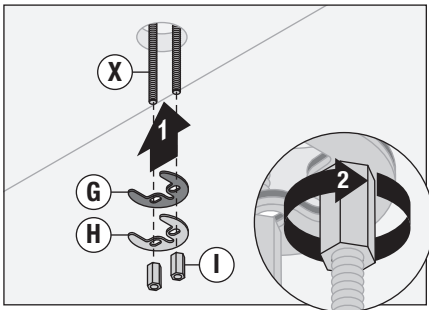
1a) **SLS-3612:** Insert faucet body (E) through deck surface.



1b) **SLS-3622:** Insert faucet body (E) through deck plate (Z) and deck surface.

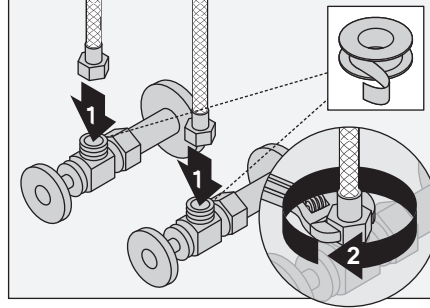


2) Slide mounting gasket (G) and metal washer (H) on to fasteners (X). Secure with mounting nuts (I).

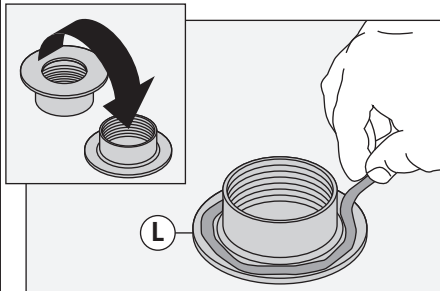


**Note:** Hoses removed for clarity.

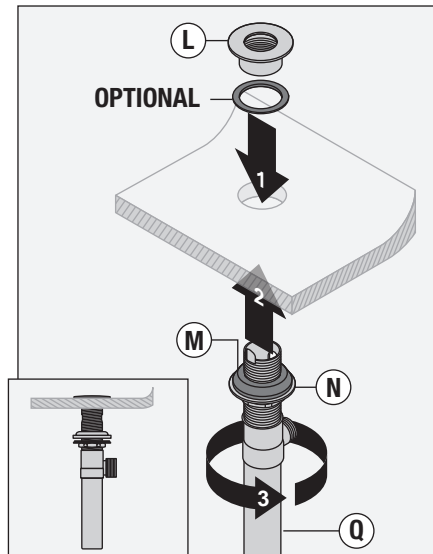
3) Install teflon tape to inlets of shut-off valves. Attach supply lines to shut-off valves and hand tighten. Using a wrench, finish with one-half turn. **DO NOT** overtighten.



4) Apply plumber putty to underside of flange (L).

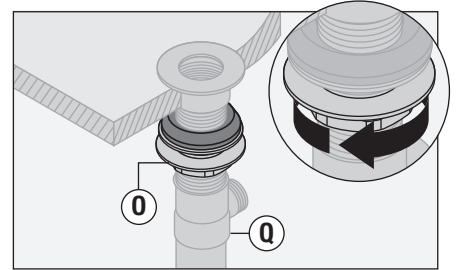


5) Insert flange (L) into drain opening. From below, attach drain body (Q) with gasket (M) and washer (N) to flange (2-3 turns until hand tight).



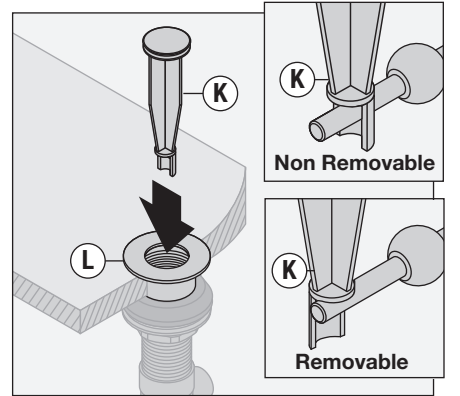
**Note:** Make sure drain cavity (on drain body) faces rear of sink.

6) From below, tighten flange nut (O) to secure drain body (Q). **DO NOT** overtighten.



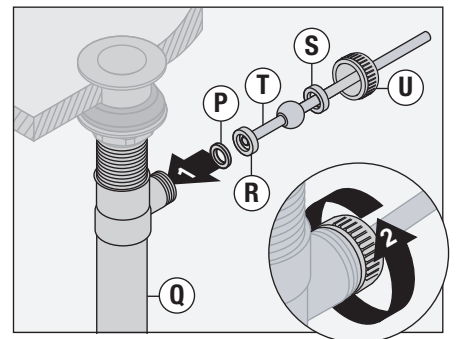
**Note:** Make sure flange is centered in drain opening.

7) Insert stopper (K) into flange (L) and rotate to proper position.



**Note:** Stopper can be installed removable or non-removable determined by eye hole position.

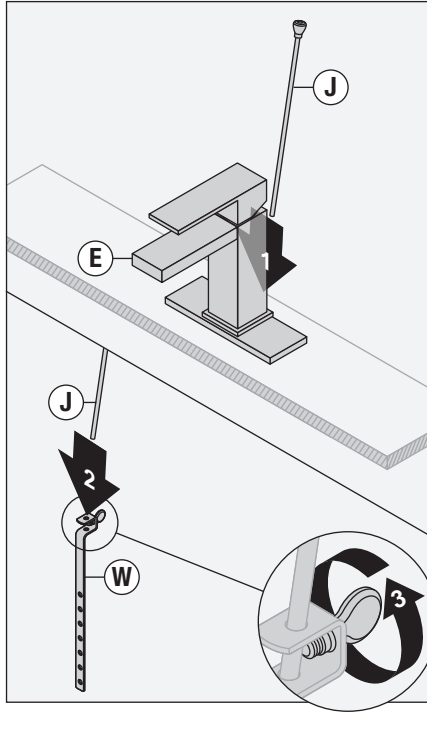
8) Insert pivot rod (T) into drain body (Q) against gasket (P) and inner seat (R). Install outer seat (S) against pivot ball and secure assembly by tightening retaining nut (U).



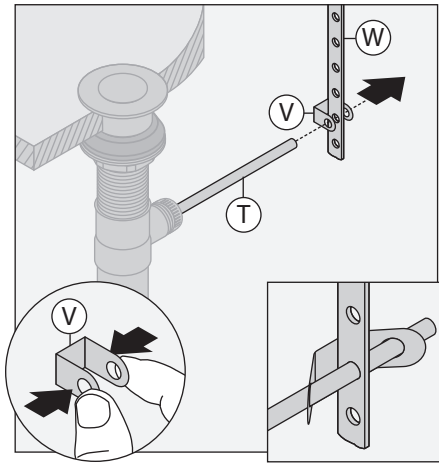
**Note:** Pivot rod passes under stopper.

## Installation

- 9) Insert lift rod (J) into back of faucet body (E). From below, attach clevis strap (W) to lift rod (J). Tighten thumb screw to secure.



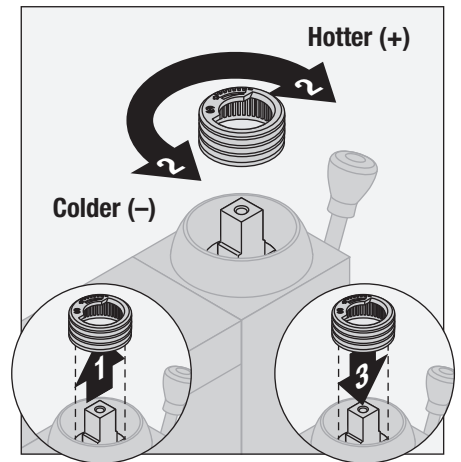
- 10) With stopper in closed location, insert pivot rod (T) into clevis strap (W). Secure with spring clip (V).



- 11) To adjust stopper, select another hole in clevis strap or loosen thumb screw to slightly raise or lower lift rod.

- 12) Attach drain body to drain trap.

- 13) The handle limit stop can be set to limit handle turn to the hot position. To measure temperature, turn handle to full hot position and lift handle half way open. If water is too hot or cold, loosen set screw and remove handle. Remove limit stop ring and rotate counter clockwise to lower temperature or clockwise to raise temperature.



## Care and Cleaning

- 1) Clean finished trim area with a soft cloth using mild soap and water or a non-abrasive cleaner and then quickly rinse with water.

## Troubleshooting Chart

Problem	Cause	Solution
Finish is spotting.	Elements in water supply may cause water staining on finish.	Clean finished trim area with a soft cloth using mild soap and water or a non-abrasive cleaner and then quickly rinse with water.
Faucet is leaking from handle or faucet body.	Cartridge o-rings are worn or foreign matter (dirt, chips) is lodged between cartridge and o-rings.	Remove cartridge and inspect for foreign matter. Replace cartridge if necessary.
Faucet no longer maintains desired temperature.	Hard water deposits inside of cartridge is preventing accurate mix of hot and cold water.	Soak cartridge in white vinegar for 1 hour to breakdown hard water deposits, then rinse with water. Replace cartridge if necessary.

**⚠ WARNING:** This product can expose you to chemicals including lead, which is known to the state of California to cause cancer, birth defects, or other reproductive harm. For more information, go to [www.P65Warnings.ca.gov](http://www.P65Warnings.ca.gov).