







# SYMMONS® Sereno®

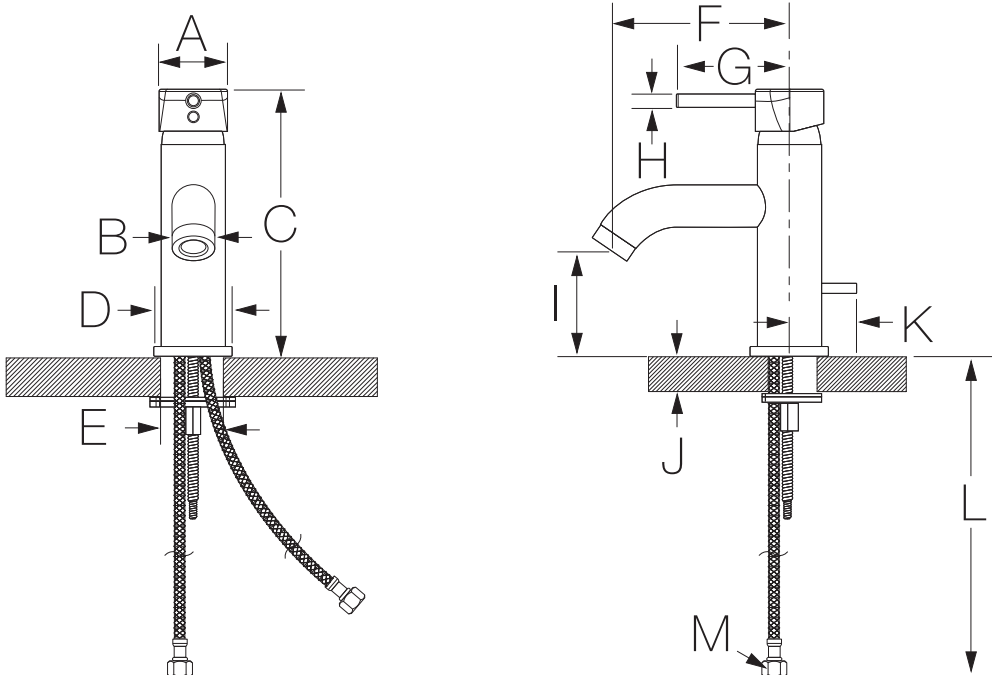
the smart choice™

## SLS-0488-1.0, SLS-0488-1.5 Single Handle Lavatory Faucet Installation Guide



<h3>Feature Highlights</h3>	<h3>Options/Modifications</h3>
<p>Single Handle Lavatory Faucet shall include single hole mount configuration, ceramic cartridge, braided hose connections, metal drain assembly and 1.0 gpm (3.8 L/min) aerator. Faucet shall be metal construction, plated in standard polished chrome finish.</p>	<ul style="list-style-type: none"> <li><input type="checkbox"/> -1.0  1.0 gpm (3.8 L/min) aerator</li> <li><input type="checkbox"/> -1.5  1.5 gpm (5.7 L/min) aerator</li> <li><input type="checkbox"/> -STN Satin Nickel finish</li> </ul>
<h3>Model Numbers</h3>	<p><b>Note:</b> Append appropriate -suffix to model number.</p>
<ul style="list-style-type: none"> <li><input type="checkbox"/> <b>SLS-0488-1.0</b> Single Handle Lavatory Faucet (1.0 gpm - 3.8 L/min)</li> <li><input type="checkbox"/> <b>SLS-0488-1.5</b> Single Handle Lavatory Faucet (1.5 gpm - 5.7 L/min)</li> </ul>	<h3>Compliance</h3> <ul style="list-style-type: none"> <li>-ASME A112.18.1/CSA B125.1</li> <li>-NSF/ANSI 61.9, NSF/ANSI 372</li> <li>-WaterSense 1.5 gpm (5.7 L/min)</li> </ul> <div style="text-align: right;">   </div>
<h3>Warranty</h3>	
<p><b>Limited Lifetime</b> - to the original end purchaser in consumer/residential installations.  <b>5 Years</b> - for industrial/commercial installations.          Go to <a href="http://www.symmons.com/warranty">www.symmons.com/warranty</a> for complete warranty information.</p>	

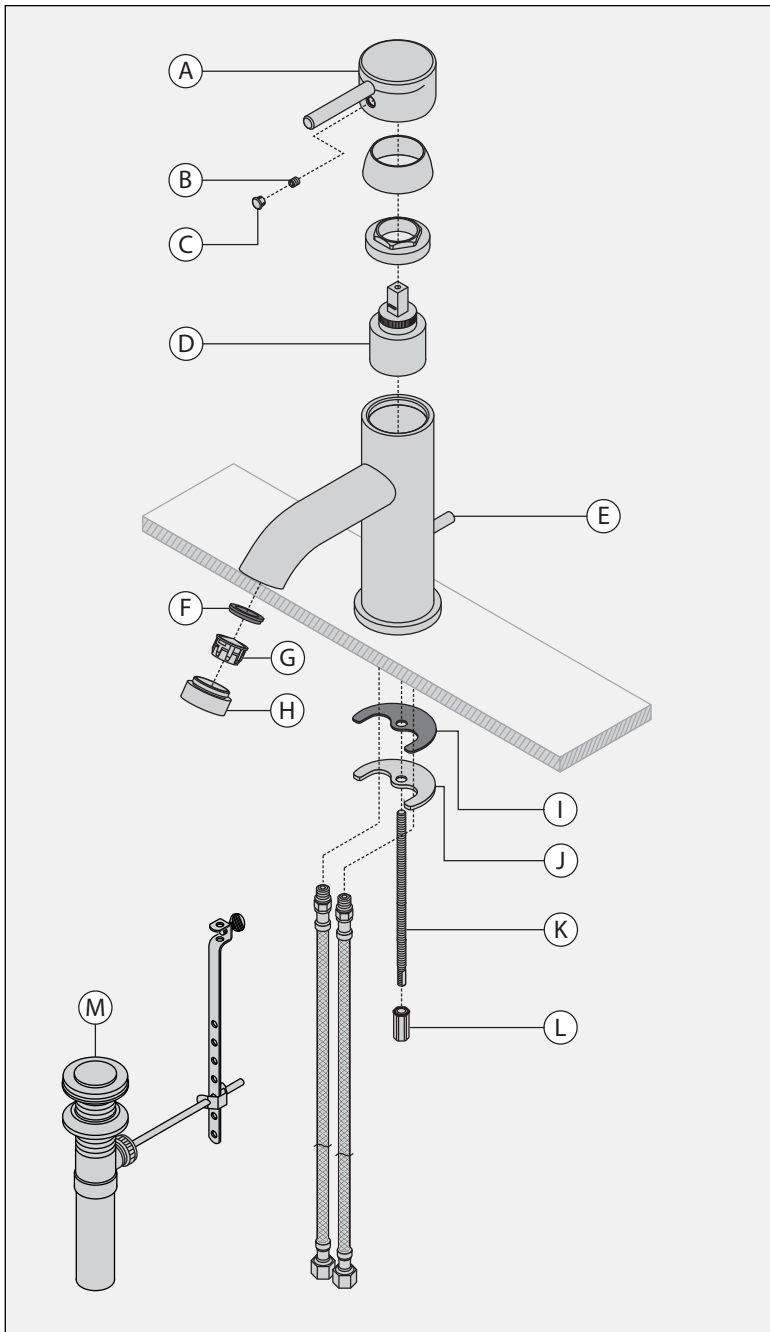
### Dimensions



Measurements	
A	Ø 1-3/4", 44 mm
B	1-3/16", 30 mm
C	7-3/8", 187 mm
D	Ø 2-1/4", 57 mm
E	Hole Size: Min. Ø 1-1/4", 32 mm Max. Ø 1-3/4", 44 mm
F	4-15/16", 125 mm
G	3-1/8", 79 mm
H	Ø 3/8", 10 mm
I	2-15/16", 75 mm
J	Deck Thickness Ref. Max. 1-1/4", 32 mm
K	1-7/8", 47 mm
L	14-1/2", 368 mm
M	3/8" compression fitting

**Note:** Dimensions subject to change without notice.




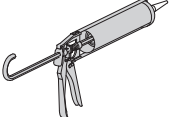
## Parts Breakdown



## Replacement Parts

Item	Description	Part Number
A	Handle	
B	Set Screw	RL-043
C	Plug Button	
D	Cartridge	RL-236
E	Lift Rod	RL-060
F	Gasket	FLR-110-1.0 (1.0 gpm)
G	Aerator	FLR-110-1.5 (1.5 gpm)
H	Housing	
I	Rubber Washer	
J	Metal Washer	RL-062
K	Mounting Rod	
L	Mounting Nut	
M	Metal Drain Assembly	RL-154LR

## Tools Required for Installation

Adjustable Wrench	
Allen Wrench: Handle (2.5 mm)	
Plumber Putty	
Plumber Tape	
Silicone	

### Installation Notes:

- 1) Apply a bead of clear silicone around the perimeter of all faucet trim installed to deck surface.
- 2) Apply plumber tape to threaded connections as necessary.  
DO NOT use plumber tape on fittings with face seal washers or o-rings.
- 3) DO NOT OVERTIGHTEN fittings with face seal washers or o-rings.

**⚠ WARNING:** This product can expose you to chemicals including lead, which is known to the state of California to cause cancer, birth defects, or other reproductive harm. For more information, go to [www.P65Warnings.ca.gov](http://www.P65Warnings.ca.gov).