



SYMMONS[®] DS Creations
the smart choice™

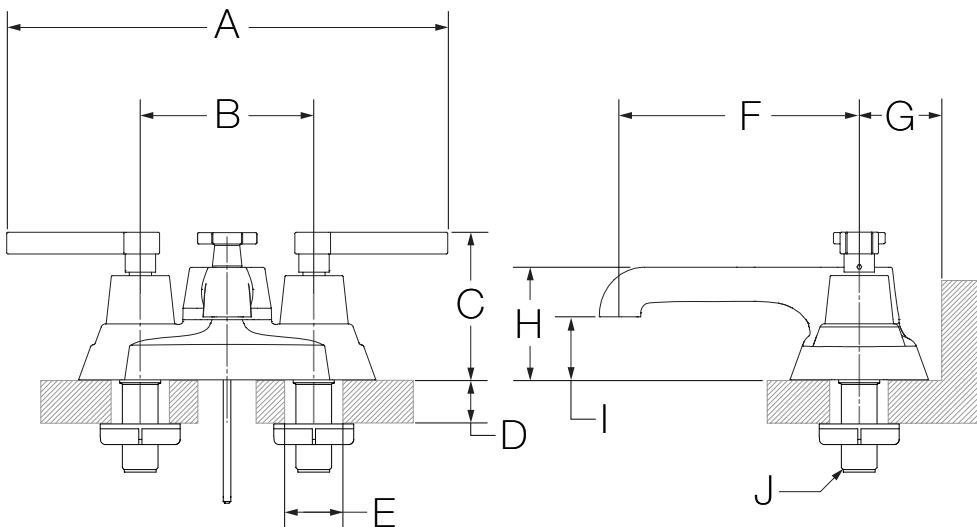
SLC-8802-1.5 (SLC-4512-WINDS-1.5)
Two Handle Centerset Lavatory Faucet
Installation Guide



Model Numbers	Specification
<input type="checkbox"/> SLC-8802-1.5 <i>Two Handle Centerset Lavatory Faucet</i>	Two Handle Centerset Lavatory Faucet featuring 4" mounting configuration shall include ceramic cartridges, 1/2" IPS inlet connections, metal drain assembly and 1.5 gpm (5.7 L/min) aerator. Faucet shall be made from metal construction, plated in standard polished chrome finish.
Warranty Limited Lifetime - to the original end purchaser in consumer/residential installations. 5 Years - for industrial/commercial installations. Refer to www.symmons.com/warranty for complete warranty information.	



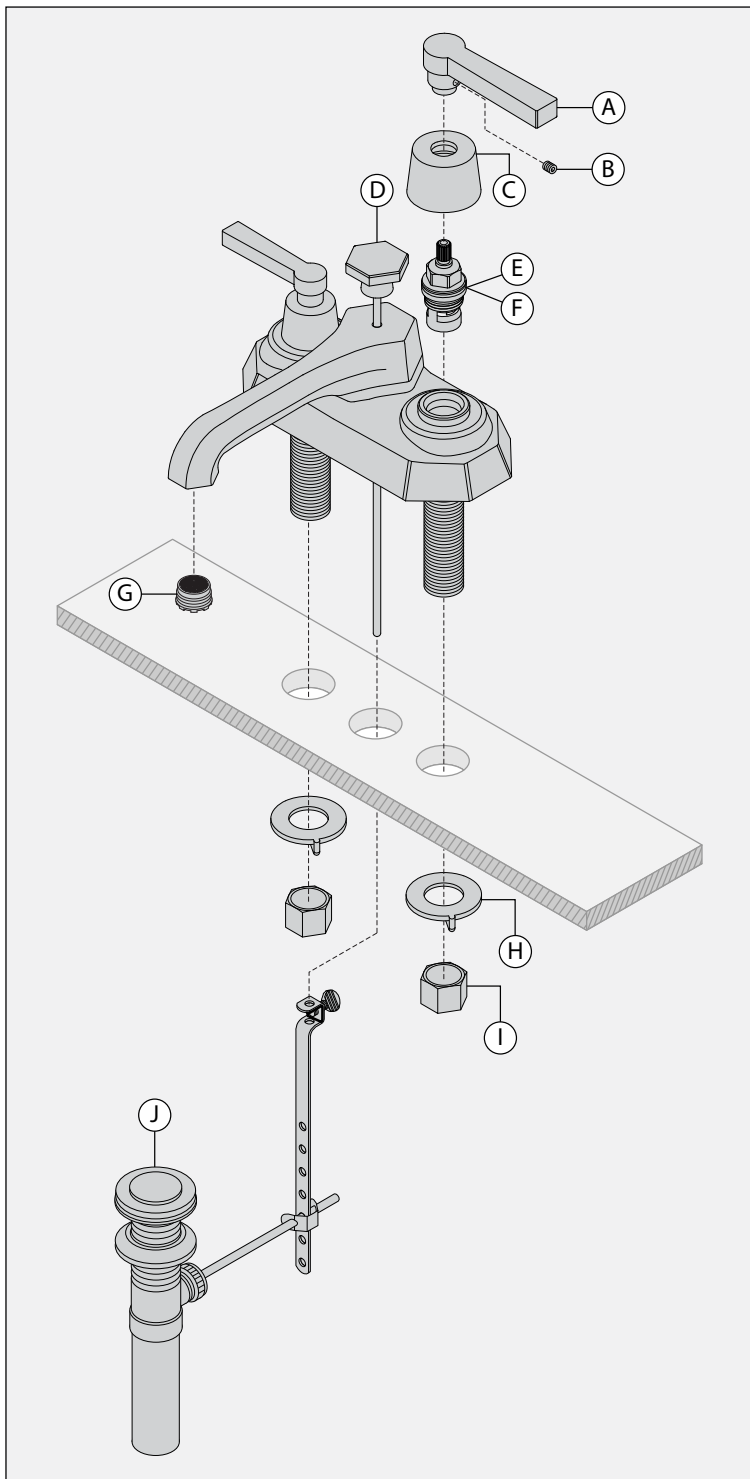
Dimensions



Measurements	
A	10-1/8", 257 mm
B	4", 102 mm
C	3-1/2", 89 mm
D	Deck Thickness Ref. Max. 2", 51 mm
E	(3x) Hole Size Min. Ø 1", 25 mm Max. Ø 1-1/2", 38 mm
F	5-1/2", 140 mm
G	To Backsplash Min. 2", 51 mm
H	2-5/8", 67 mm
I	1-1/2", 38 mm
J	1/2-14 NPSM

Note: Dimensions subject to change without notice.



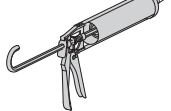
Parts Breakdown



Replacement Parts

Item	Description	Part Number
A	Handle	
B	Set Screw	SLC-WCW-KIT
C	Escutcheon	
D	Lift Rod	RL-230
E	Cold Cartridge	KN-113
F	Hot Cartridge	KN-114
G	Aerator	FLR-130-1.5-KIT
H	Mounting Nut	
I	Optional Nut	RL-048
J	Metal Drain	RL-154LR

Tools Required for Installation

Adjustable Wrench	
Allen Wrench: Handle (2 mm)	
Plumber Putty	
Plumber Tape	
Silicone	

Notes:

- 1) Apply a bead of silicone around the perimeter of trim installed flush to sink.
- 2) Apply plumber tape to all threaded connections.

⚠ WARNING: This product can expose you to chemicals including lead, which is known to the state of California to cause cancer, birth defects, or other reproductive harm. For more information, go to www.P65Warnings.ca.gov.