




# SYMMONS® Sereno®

the smart choice™

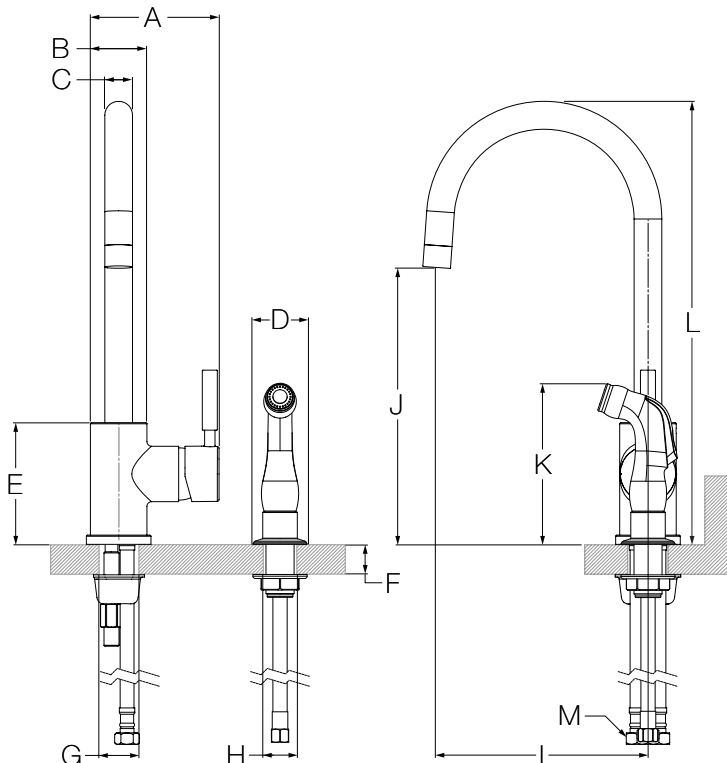


## SK-3500-2 Single Handle Kitchen Faucet with Side Spray Installation Guide

<b>Model Numbers</b>	<b>Specification</b>
<input type="checkbox"/> <b>SK-3500-2</b> <i>Single Handle Kitchen Faucet with Side Spray</i>	Single Handle Kitchen Faucet with Side Spray shall include single hole mount configuration, ceramic cartridge, 3/8" compression connections and standard 2.2 gpm (8.3 L/min) aerator. Faucet shall be made from metal construction, plated in standard polished chrome finish.
<b>Modifications</b>	
<input type="checkbox"/> <b>-1.5</b>  <i>1.5 gpm (5.7 L/min) flow restrictor</i> <b>Note:</b> Append appropriate -suffix to model number.	
<b>Warranty</b>	<b>Compliance</b>
<b>Limited Lifetime</b> - to the original end purchaser in consumer/residential installations. <b>5 Years</b> - for industrial/commercial installations. Refer to <a href="http://www.symmons.com/warranty">www.symmons.com/warranty</a> for complete warranty information.	-ASME A112.18.1/CSA B125.1 -NSF/ANSI 61.9, NSF/ANSI 372



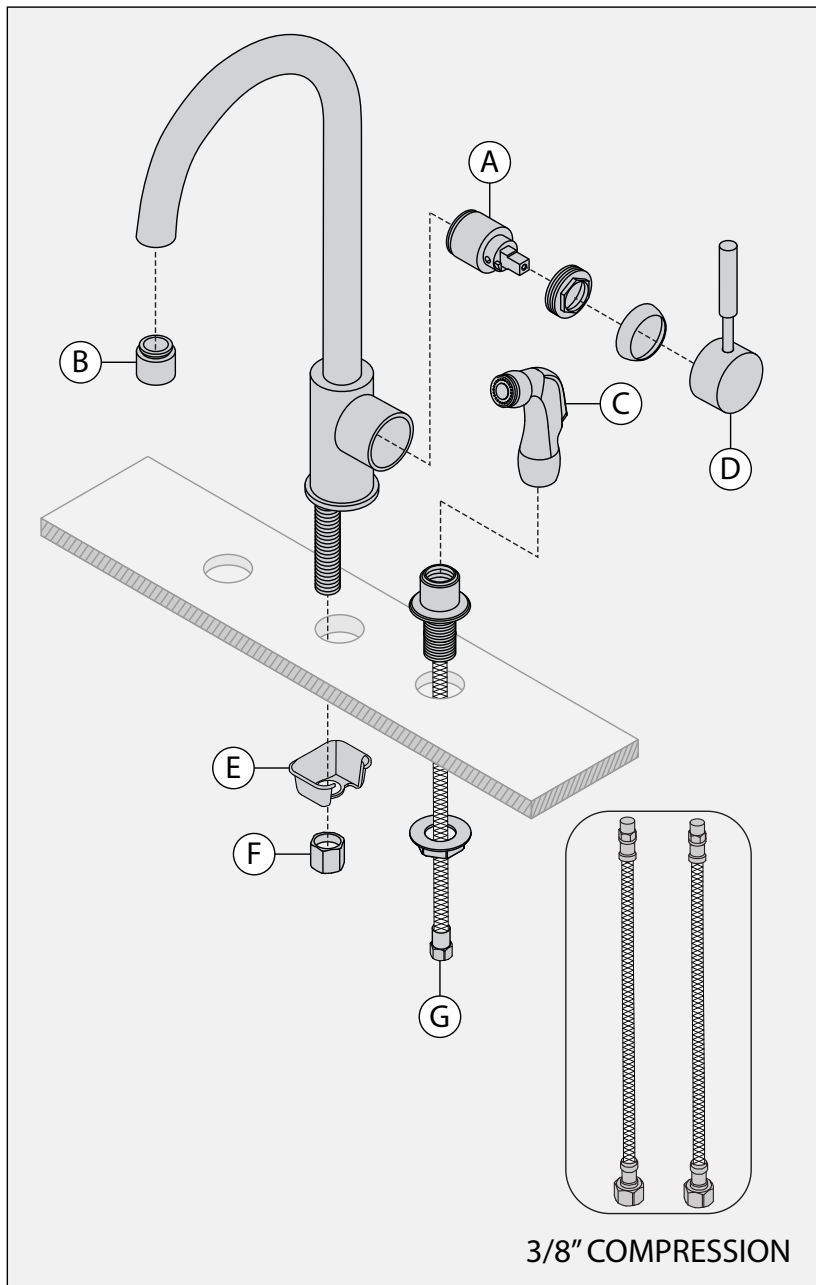
### Dimensions



Measurements	
A	4-3/8", 111 mm
B	Ø 1-7/8", 48 mm
C	1", 25 mm
D	Ø 1-7/8", 48 mm
E	4-1/8", 105 mm
F	Deck Thickness Ref. Min. 1", 25 mm Max. 1-1/4", 32 mm
G	Hole Size Ø 1-1/2", 38 mm
H	Hole Size Ø 1-1/4", 32 mm
I	7-1/4", 184 mm
J	9-3/8", 238 mm
K	5-1/2", 140 mm
L	15-1/8", 384 mm
M	3/8" compression fitting

**Note:** Dimensions subject to change without notice.




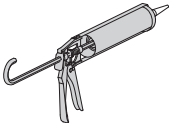
## Parts Breakdown



### Replacement Parts

Item	Description	Part Number
A	Cartridge	KN-4
B	1.5 Aerator 2.2 Aerator	FLR-121-1.5 LN-15
C	Side Spray	RK-048
G	Hose	
D	Handle & Set Screw	RK-047
E	Mounting Flange	RK-059
F	Mounting Nut	

### Tools Required for Installation

Adjustable Wrench	
Allen Wrench: Handle (2 mm)	
Plumber Tape	
Silicone	

### Installation Notes:

- 1) Apply a bead of clear silicone around the perimeter of all faucet trim installed to deck surface.
- 2) Apply plumber tape to threaded connections as necessary.  
DO NOT use plumber tape on fittings with face seal washers or o-rings.
- 3) DO NOT OVERTIGHTEN fittings with face seal washers or o-rings.

**⚠ WARNING:** This product can expose you to chemicals including lead, which is known to the state of California to cause cancer, birth defects, or other reproductive harm. For more information, go to [www.P65Warnings.ca.gov](http://www.P65Warnings.ca.gov).