



Ultra-Sense®



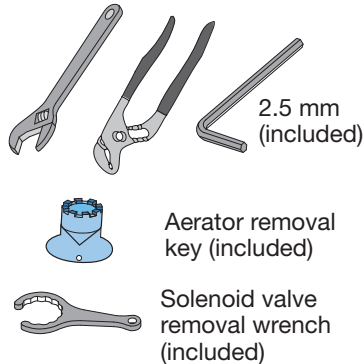
Sensor Activated Lavatory Faucet S-6095-AC/ACM-12V, S-6098-AC/ACM-12V

Installation, Operation & Service Instructions

Model Numbers

- **S-6095-AC-12V**
Faucet with 5¼" spout, AC transformer wall plug, faucet p/n SF-01399
- **S-6098-AC-12V**
Faucet with 8" spout, AC transformer wall plug, faucet p/n SF-01400
- **S-6095-ACM-12V**
Multi-faucet installations, 5¼" spout, 10' DC power cord, faucet p/n SF-01399
- **S-6098-ACM-12V**
Multi-faucet installations, 8" spout, 10' DC power cord, faucet p/n SF-01400

Tools & Materials



Need Help?

Symmons customer service:
P: (800) 796-6667, F: (800) 961-9621
gethelp@symmons.com

Mon - Fri 7:30 am - 6:00 pm EST

www.symmons.com/service

- Technical help
- Product information
- Warranty policy



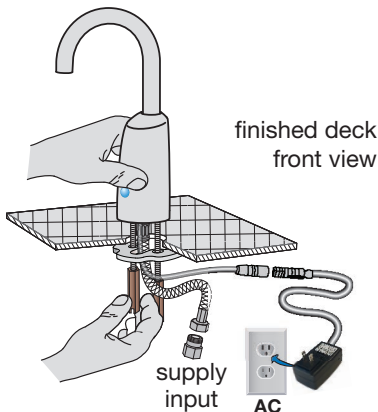
Quick Install Guide Ultra-Sense Lavatory Faucet, S-6095-AC-12V, S-6098-AC-12V

Model S-6095-AC-12V, p/n SF-01399 (5¼" spout) ▪ Model S-6098-AC-12V, p/n SF-01400 (8" spout)

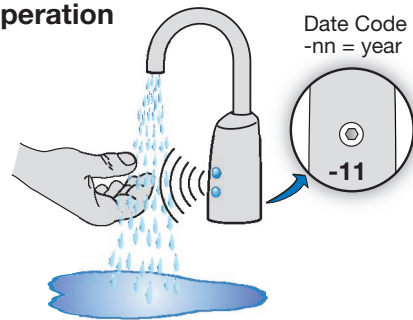
Single hole mount

Step 1
Attach faucet to deck

Step 2
Connect water supply line



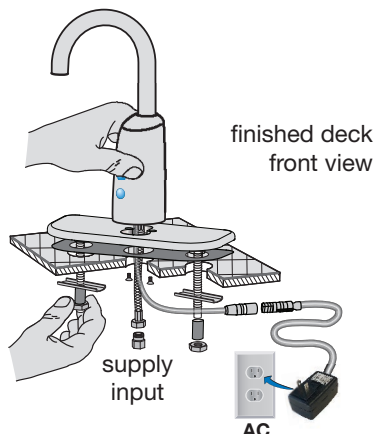
Operation



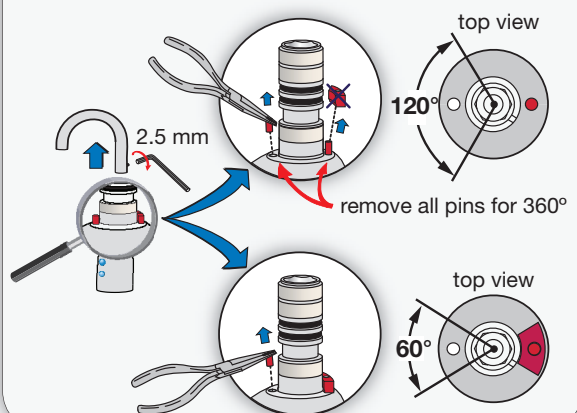
Three hole mount with deck plate

Step 1
Attach faucet and deck plate to deck

Step 2
Connect water supply line



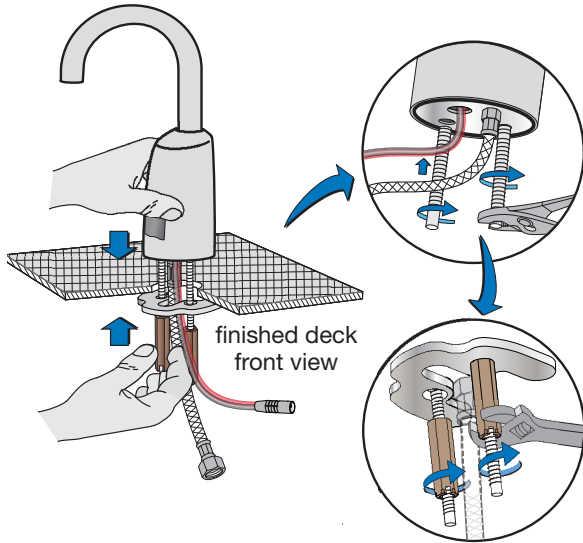
Spout swivel modifications



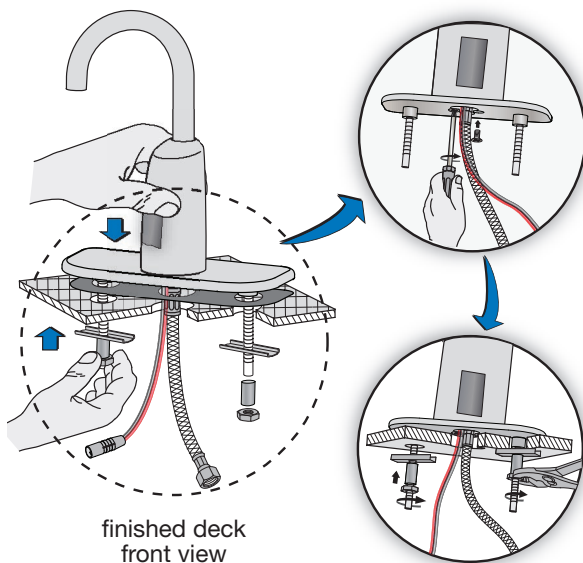
Installation Instructions, S-6095-AC-12V and S-6098-AC-12V

Important! Prior to connecting the water supply, ensure supply lines are flushed. Particles can clog filter and result in malfunction. Excessive particles from supply lines may require installing a separate efficient filter.

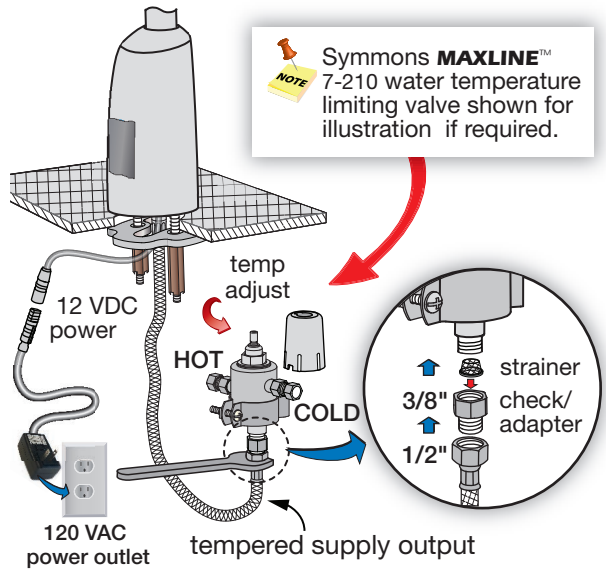
Step 1 Attach faucet to deck (1 hole) Single hole mount



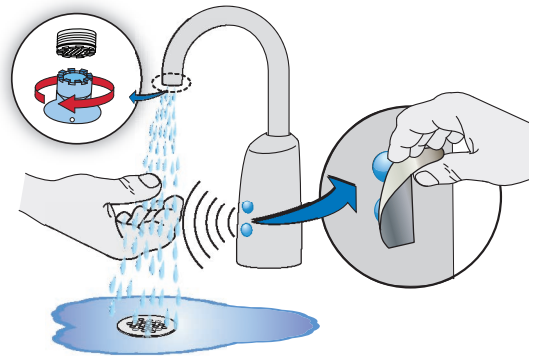
Step 1 Attach faucet to deck (3 hole) Three hole mount with deck plate



Step 2 Connect power and supply line



Step 3 Test operation & check for leaks



Operation

Sensor range: typically 1/2 to 10 inches

Place hands under faucet, water will flow automatically for 10 seconds and shut off.

Auto shut-off: 1/2 to 1 second

Remove hands, water will stop automatically within 1/2 to 1 second.

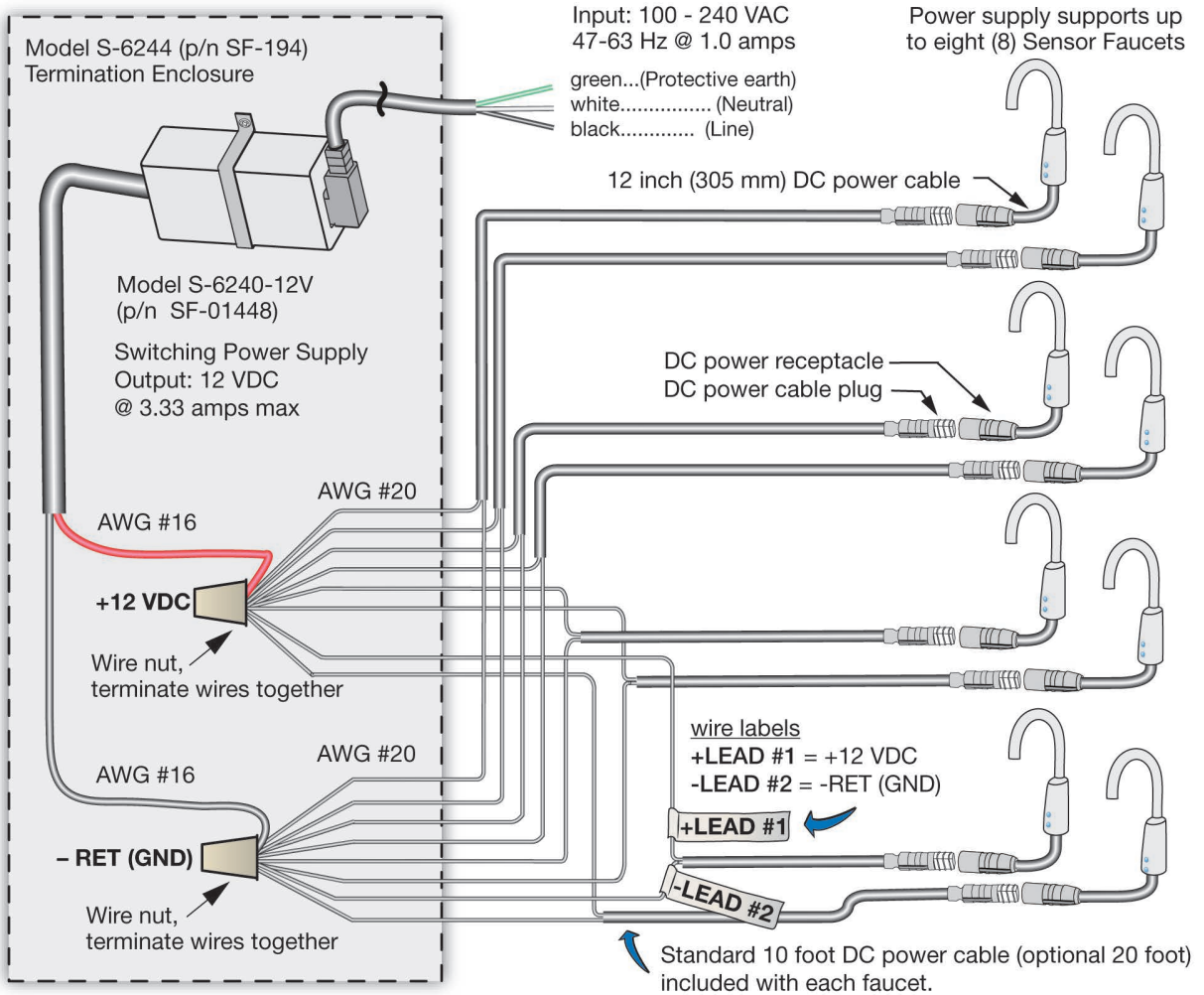
Security OFF: 10 seconds

Faucet will automatically shut off after continuous water flow for 10 seconds.



Multi-Faucet Installation Instructions, S-6095-ACM-12V and S-6098-ACM-12V

Visual Install Guide Multi-Faucets S-6095/6098-ACM-12V



Note: Dimensions and product structure subject to change without notice.

Installation Requirements

The following items are not included and purchased separately:

Switching Powers Supply, Model# S-6240-12V

Power Supply supports up to eight faucets. Mounting strap and screws are included.

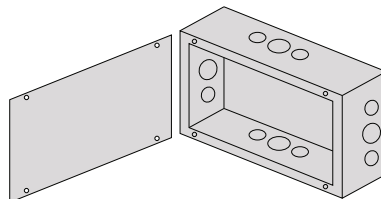
Input: 100/240 VAC @ 1.0 amp
Output: 12 VDC @ 3.3 amps max



Termination Enclosure Box, Model # S-6244

Standard electrical termination enclosure or equivalent (6"H x 10"W x 4"D).

Model S-6244 enclosure box may be purchased from Symmons or similar type from a local electrical supplier.



Wire nuts - Secure wire connections using two wire nuts that can join (8) AWG #20 wires and (1) AWG #16 wire. Purchase from a local electrical supplier.

Electrical Installation

100/240 VAC to 12 VDC power supply must be mounted in a electrical termination enclosure box with wire connection in accordance with local state electrical codes.



Important! A licensed electrician must connect AC power source to power cord leading into termination enclosure.

Multi-Faucet Installation

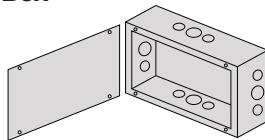
Reference Visual Guide illustration on page 3.

Step 1 Install Faucets

- Install each sensor faucet per installation instructions on page 2.
- The maximum number of faucets DC power supply can support is (8) eight.
- A 10 foot (20 foot optional) extended DC power cable is supplied with each faucet.

Step 2 Mount Termination Box

- Mount box to a wall, under a sink or closet location.
- Ensure the furthest faucet is located within 19 feet (5.8 meters) of the termination enclosure.



Step 3 Run faucet's extended DC power cable

- Plug extended DC power cable plug into each faucet's power receptacle.
- Run each extended power cable from faucet under the sink to the termination box. Feed cable through a strain relief and punched-out hole into the termination box.



Avoid contact with water pipes and secure cable in accordance with state and local electrical codes.

Step 4 Prepare power cable wire ends

- **Faucet extended DC power cables**
Strip off a few inches of cable jacket and then strip each wire to expose copper ends.
- **Power supply DC power cable**
Strip off a few inches of cable jacket and then strip ends of each wire to expose copper ends.

Step 5 Connect DC power wires

- **+12 VDC line** - Connect each of the faucet's **+LEAD #1** black wires to the power cables red wire.
- **-RET (GND) line** - Connect each of the faucet's **- LEAD #2** black wires to the power cables black wire.
- **Wire nuts** - Secure wire connections using two wire nuts with size that can join (8) AWG#20 wires and (1) AWG#16 wire.

Step 6 Connect AC Power

- Connect 100/240 VAC power source to wire ends of AC power cord. **Note:** A licensed electrician must connect AC power source to power cord.

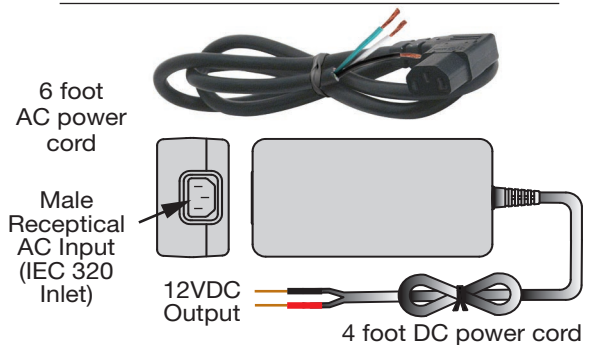
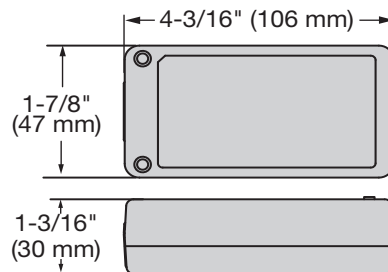


Wire color codes

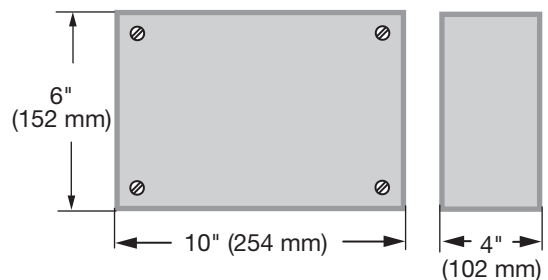
green.....(Protective earth)
white.....(Neutral)
black.....(Line)

- Plug AC power cord into power supply. Faucets may all activate for one cycle on initial power up.

Dimensions Power Supply, S-6240-12V



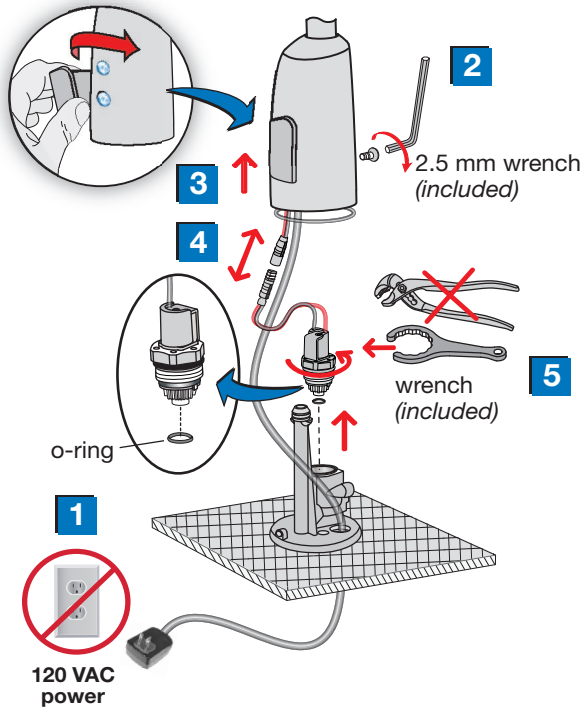
Dimensions Enclosure Box, S-6244



Note: Dimensions subject to change without notice.

Service

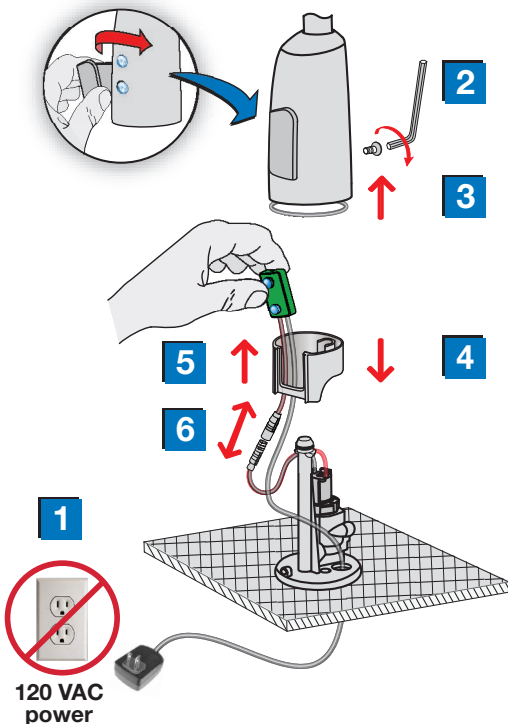
Replace Solenoid Valve



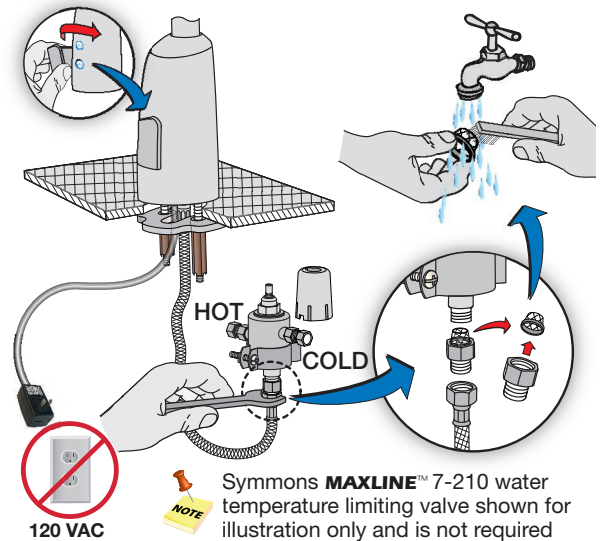
⚠ Replacing Solenoid Valve (p/n SF-240)

- Remove old o-ring from valve body before replacing solenoid valve. Replacement solenoid valve will come with new o-ring installed to allow proper seal and prevent leaking from valve body.

Replace sensor



Cleaning water supply strainer



Troubleshooting

No water flow

- Faucet is not receiving power from AC outlet. In multi-faucet installations, faucet is not receiving power.
- Filter in strainer is clogged. Excessive clogged filter may require installing of separate efficient filter into supply line.
- Solenoid valve connector inside faucet is loose.
- Circuit board is faulty. Do not attempt repair, please contact Symmons customer service.
- Solenoid valve is faulty. Do not attempt repair, please contact Symmons customer service.

Faucet care

Cleaning surface finish

- Block sensor with sensor cuff to prevent faucet from turning on while cleaning.
- Clean finish area by using mild soap and water or non-abrasive cleaner and then rinse immediately. A non-abrasive wax may be used to preserve finish area.



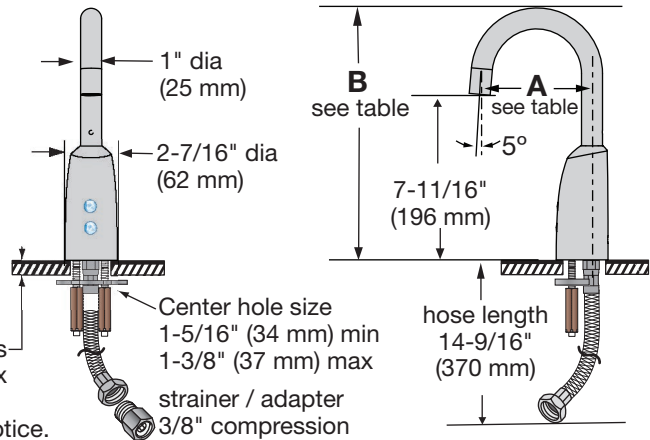
Precautions

- Ensure sensor is not damaged through impact or scratches.
- Ensure sensor is not blocked or disturbed by any objects.
- Ensure a strong light source is not aimed directly at sensor or through a mirror.

Dimensions Ultra-Sense Lavatory Faucet, S-6095-AC-12V, S-6098-AC-12V

S-6095-AC-12V, p/n SF-01399.....5¼" Spout
 S-6098-AC-12V, p/n SF-01400.....8" Spout

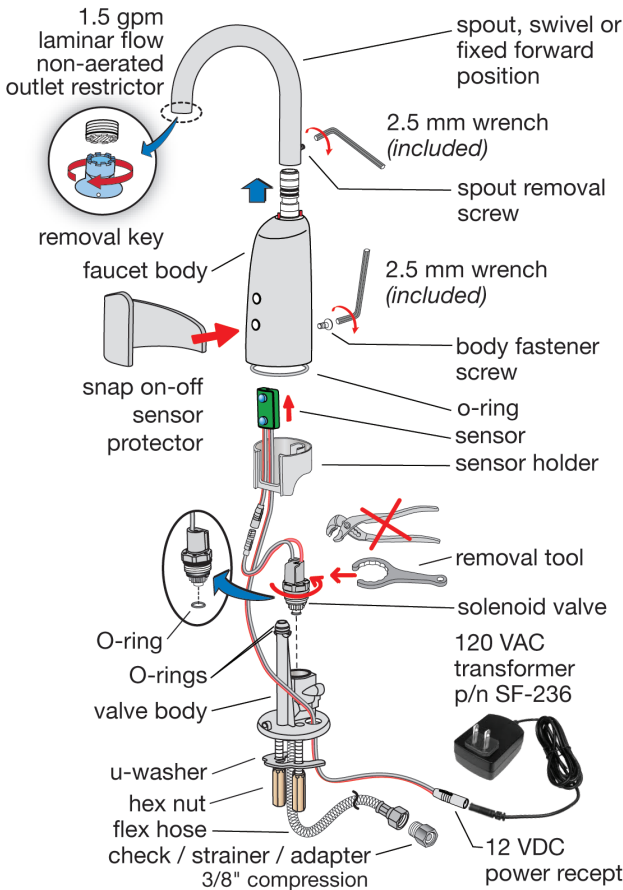
Model series	Spout size	Dimension	
		A	B
S-6095	5-1/4"	5-1/4" (133 mm)	11-3/4" (299 mm)
S-6098	8"	8.0" (203 mm)	12-11/16" (322 mm)



Note: Dimensions subject to change without notice.

Parts Assembly Ultra-Sense Lavatory Faucet, S-6095-AC/ACM-12V, S-6098-AC/ACM-12V

S-6095-AC/ACM-12V.....5¼" Spout
 S-6098-AC/ACM-12V.....8" Spout



S-6095 / S-6098 Replacement Parts	
Part Number	Item
SF-240	Solenoid valve with removal tool
SF-161	O-ring kit
SF-01531	Sensor
SF-01532	Sensor holder
SSF-108	Check / strainer kit for flex hose connections
SF-01657	Single hole mounting kit
SF-01535	Spout rotation limit pins and 60° limiter
FLR-130-1.5-KIT	Aerator, vandal resistant, with removal key #FLR-130-KEY ■ 1.5 gpm (5.7 L/min)
RO-003 FLR-01526 FLR-01524	Non-aerated laminar outlet restrictor, vandal resistant, with removal key #FLR-130-KEY ■ 0.35 gpm (1.3 L/min) laminar spray ■ 0.5 gpm (1.9 L/min) laminar spray ■ 1.5 gpm (5.7 L/min) laminar flow

Ordering replacement parts:

Call Symmons customer service at P: (800) 796-6667, F: (800) 961-9621 M-F 7:30 am - 6:00 pm EST or check our website at www.symmons.com for a list of Symmons distributors.