



Ultra-Sense®

Sensor Activated Lavatory Faucet

S-6080-AC-12V

S-6080-ACM-12V

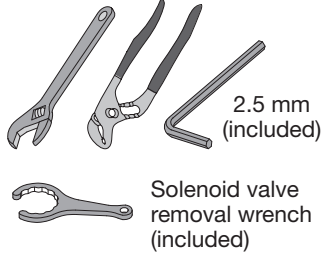
Installation, Operation & Service Instructions



Model Numbers

- S-6080-AC-12V
Sensor faucet and AC wall plug-in transformer
- S-6080-ACM-12V
Sensor faucet for multi-faucet installations with 10' DC power cord

Tools & Materials



☎ Need Help?

Symmons customer service:
P: (800) 796-6667, F: (800) 961-9621
gethelp@symmons.com
Mon - Fri 7:30 am - 6:00 pm EST

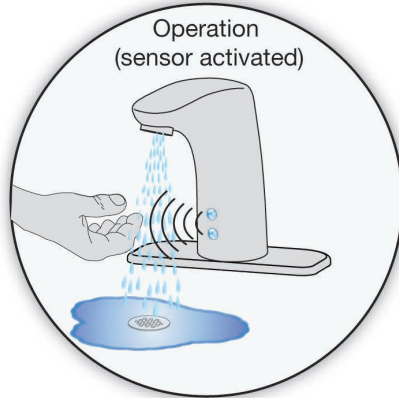
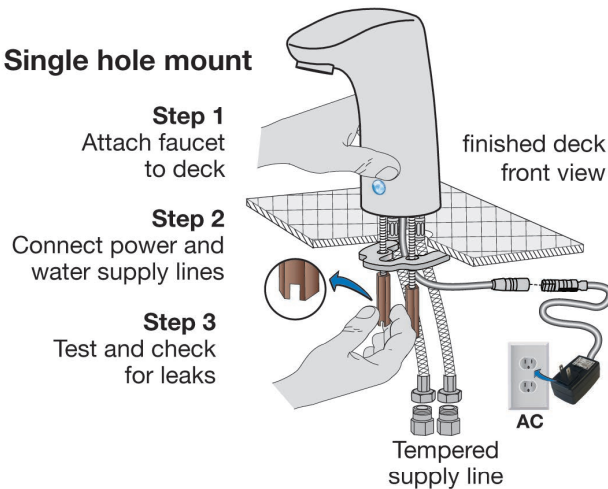
🌐 www.symmons.com/service

- Technical help
- Product information
- Warranty policy

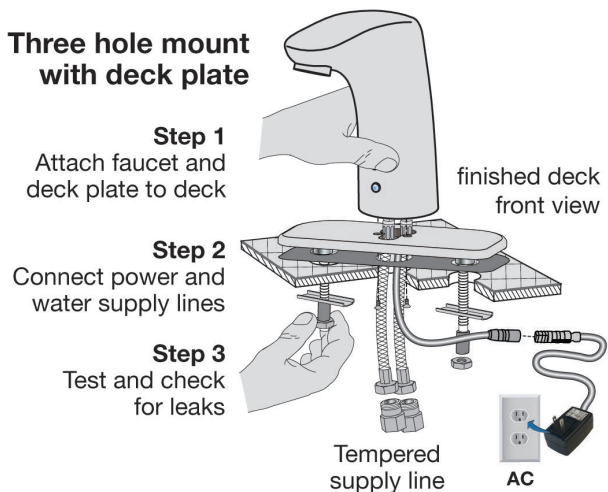


Quick Install Guide Ultra-Sense Lavatory Faucet, S-6080-AC/ACM-12V

Single hole mount



Three hole mount with deck plate



Faucet supply configuration options

1) Temperature adjust using lever handle (factory configured)



2) Tempered water preset internally (field modified)



For California Residents

WARNING: This product contains chemicals known to the State of California to cause cancer, birth defects, or other reproductive harm.

Installation Instructions, S-6080-AC-12V and S-6080-ACM-12V

Important! Prior to connecting the water supply, ensure supply lines are flushed. Particles can clog filter and result in malfunction. Excessive particles from supply lines may require installing a separate efficient filter.

Supply Configuration Options

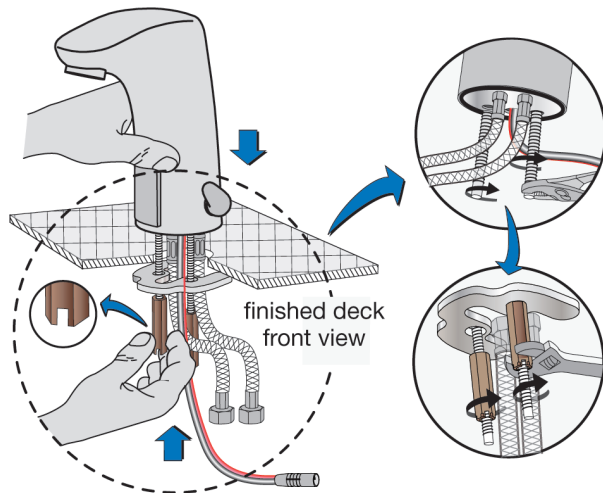
Install faucet in one of two supply configurations.

- 1) **Water temperature adjust handle**
Factory modified as shipped.
- 2) **Tempered water preset internally**
Field modification required.
Ref. page 3, Preset Supply Temperature, option #2

Option 1) Water Temperature Adjust Handle (Factory default as shipped)

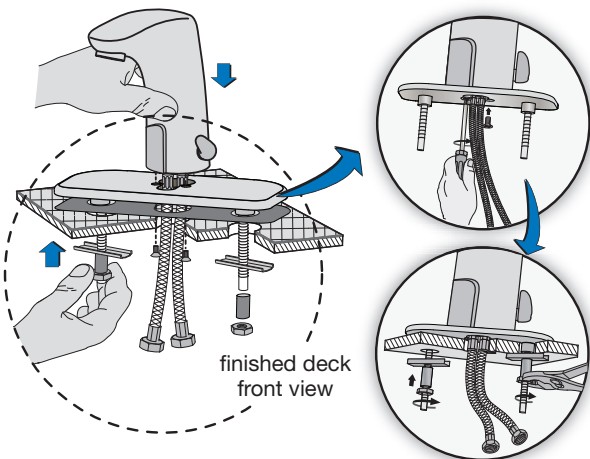
Step 1 Attach faucet to deck (1 hole)

Single hole mount without deck plate

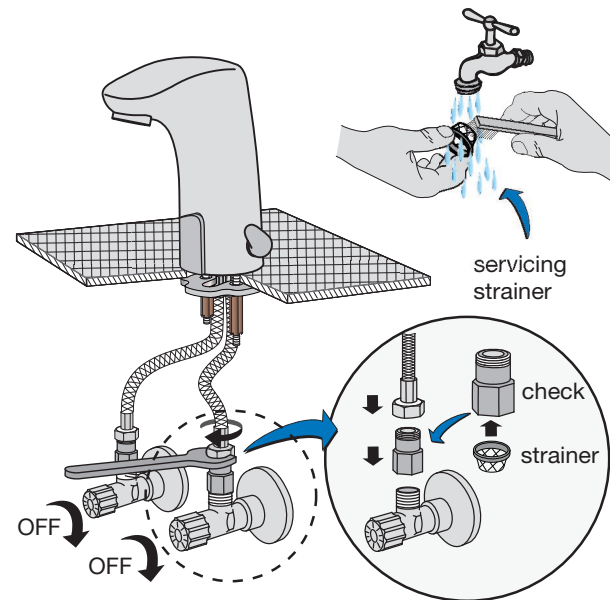


Step 2 Attach faucet to deck (3 hole)

Three hole mount with deck plate



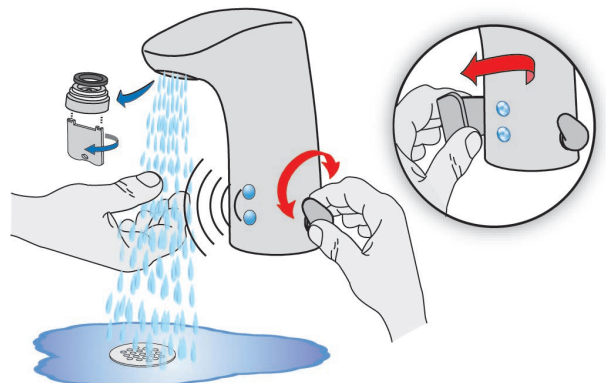
Step 3 Connect water supply line



Step 4 Connect power supply line (for S-6080-AC-12V only)



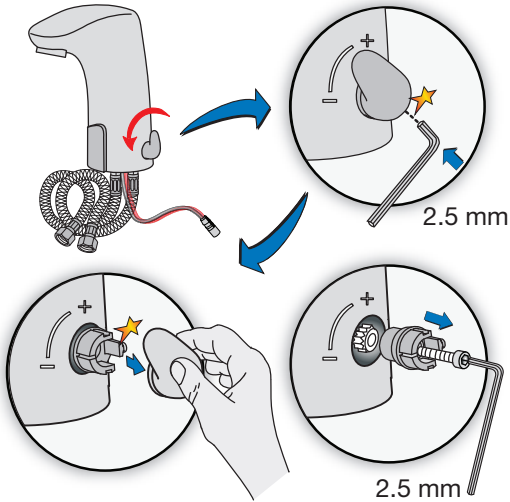
Step 5 Test operation and check for leaks



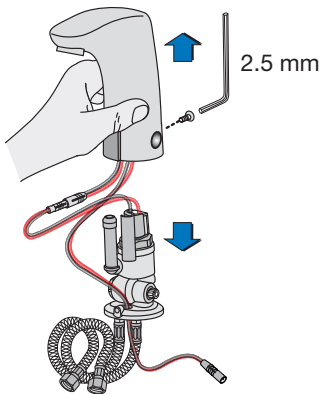
Installation Instructions, S-6080-AC-12V and S-6080-ACM-12V

Option 2) Tempered water preset internally

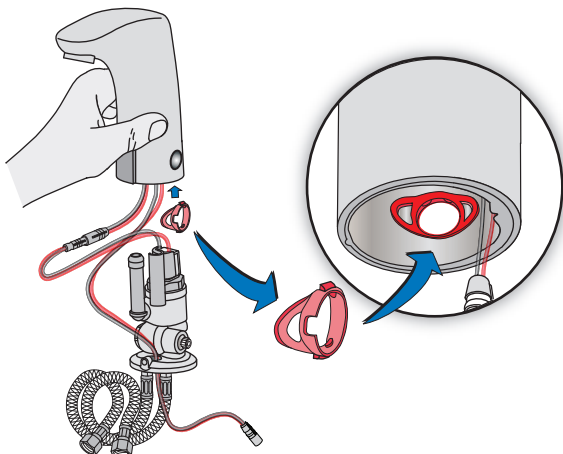
[1] Remove handle and mixer



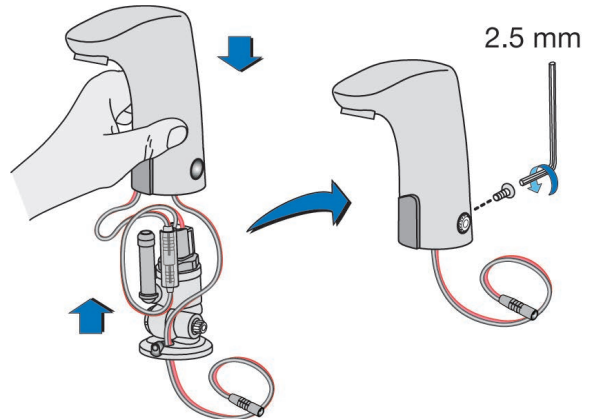
[2] Remove faucet body



[3] Insert plug button retainer



[4] Re-attach faucet body



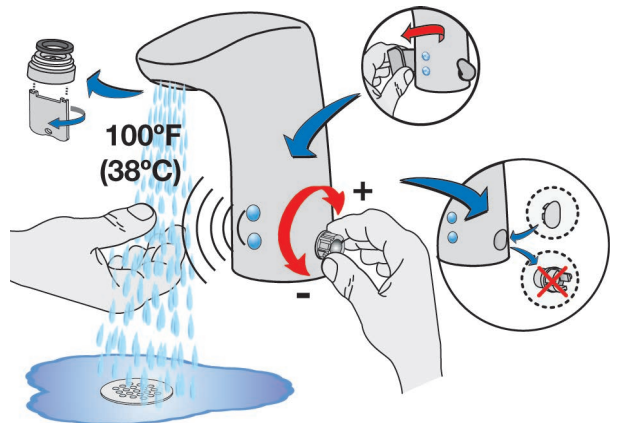
[5] Connect water supply line

Ref. page 2, Factory modified, option #1

[6] Connect power supply line (for S-6080-AC-12V only)

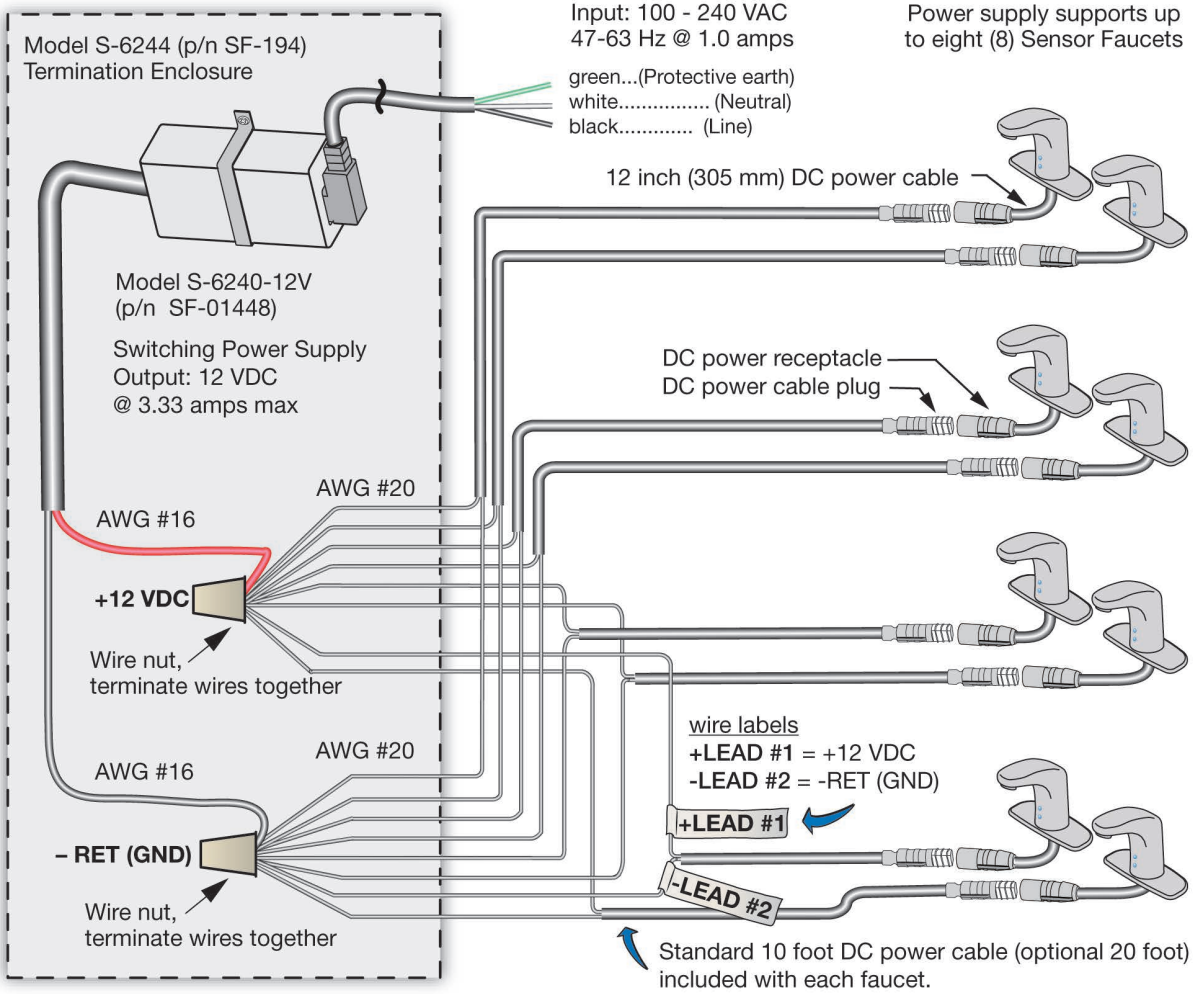
Ref. page 2, Factory modified, option #1

[7] Set water temperature, install mixing plug test operation and check for leaks



Multi-Faucet Installation Instructions, S-6080-ACM-12V

Visual Install Guide Multi-Faucets S-6080-ACM-12V



Note: Dimensions and product structure subject to change without notice.

Installation Requirements

The following items are not included and purchased separately:

Switching Powers Supply, Model# S-6240-12V

Power Supply supports up to eight faucets. Mounting strap and screws are included.

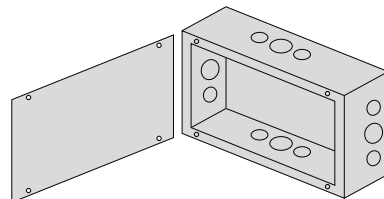
Input: 100/240 VAC @ 1.0 amp
Output: 12 VDC @ 3.3 amps max



Termination Enclosure Box, Model # S-6244

Standard electrical termination enclosure or equivalent (6"H x 10"W x 4"D).

Model S-6244 enclosure box may be purchased from Symmons or similar type from a local electrical supplier.



Wire nuts - Secure wire connections using two wire nuts that can join (8) AWG #20 wires and (1) AWG #16 wire. Purchase from a local electrical supplier.

Electrical Installation

100/240 VAC to 12 VDC power supply must be mounted in a electrical termination enclosure box with wire connection in accordance with local state electrical codes.



Important! A licensed electrician must connect AC power source to power cord leading into termination enclosure.

Multi-Faucet Installation

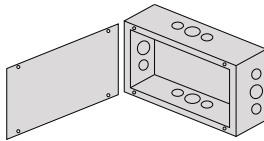
Reference Visual Guide illustration on page 3.

Step 1 Install Faucets

- Install each sensor faucet per installation instructions on page 2.
- The maximum number of faucets DC power supply can support is (8) eight.
- A 10 foot (20 foot optional) extended DC power cable is supplied with each faucet.

Step 2 Mount Termination Box

- Mount box to a wall, under a sink or closet location.
- Ensure the furthest faucet is located within 19 feet (5.8 meters) of the termination enclosure.



Step 3 Run faucet's extended DC power cable

- Plug extended DC power cable plug into each faucet's power receptacle.
- Run each extended power cable from faucet under the sink to the termination box. Feed cable through a strain relief and punched-out hole into the termination box.



Avoid contact with water pipes and secure cable in accordance with state and local electrical codes.

Step 4 Prepare power cable wire ends

- **Faucet extended DC power cables**
Strip off a few inches of cable jacket and then strip each wire to expose copper ends.
- **Power supply DC power cable**
Strip off a few inches of cable jacket and then strip ends of each wire to expose copper ends.

Step 5 Connect DC power wires

- **+12 VDC line** - Connect each of the faucet's **+LEAD #1** black wires to the power cables red wire.
- **-RET (GND) line** - Connect each of the faucet's **- LEAD #2** black wires to the power cables black wire.
- **Wire nuts** - Secure wire connections using two wire nuts with size that can join (8) AWG#20 wires and (1) AWG#16 wire.

Step 6 Connect AC Power

- Connect 100/240 VAC power source to wire ends of AC power cord. **Note:** A licensed electrician must connect AC power source to power cord.

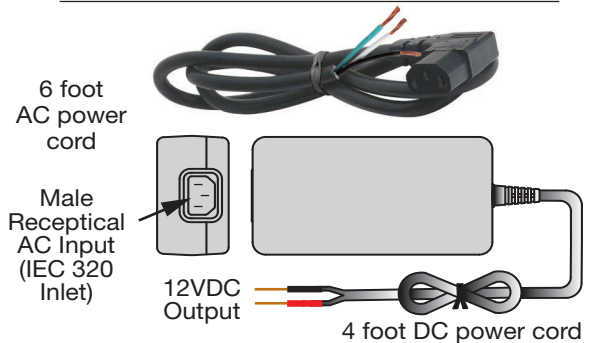
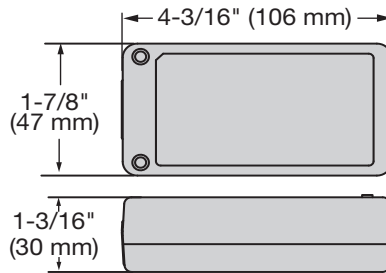


Wire color codes

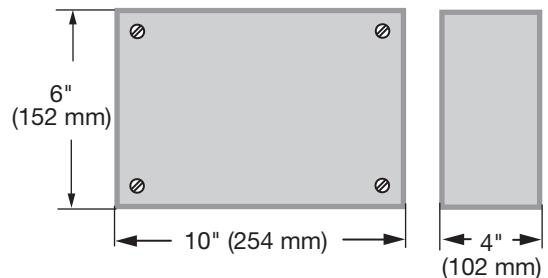
green.....(Protective earth)
white.....(Neutral)
black.....(Line)

- Plug AC power cord into power supply.
Faucets may all activate for one cycle on initial power up.

Dimensions Power Supply, S-6240-12V



Dimensions Enclosure Box, S-6244



Note: Dimensions subject to change without notice.

Temperature Operation

Using Temperature adjustment handle Option #1)

- Remove temperature adjustment handle.
- Set maximum water temperature limit by turning handle limit stop clockwise (CW).
- Increase maximum water temperature by turning handle limit stop counter clockwise (CCW).
- Re-install temperature adjustment handle.

Adjusting preset water temperature Option #2)

- Remove temperature adjustment handle plug.
- Adjust the maximum water temperature limit by inserting handle into faucet and turning counter clockwise (CCW).
- Increase temperature by turning handle clockwise (CW).
- Remove handle and re-install plug.

Faucet Operation

Sensor recognition range is factory preset at 1/2 - 4 inches

Place hand under faucet, water will flow automatically for 10 seconds and shut off.



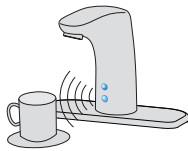
Auto shut-off time is factory preset at 1/2 to 1 second

Remove hands, water will stop automatically within 1/2 to 1 second.



Security OFF after 10 seconds

Faucet will automatically shut off after continuous water flow for 10 seconds.



Faucet Repair

⚠ Replacing Solenoid Valve (p/n SF-240)

- Remove old o-ring from valve body before replacing solenoid valve. Replacement solenoid valve will come with new o-ring installed to allow proper seal and prevent leaking from valve body.

Troubleshooting

No water flow

- Faucet is not receiving power from AC outlet. In multi-faucet installations, faucet is not receiving power.
- Filter in strainer is clogged. Excessive clogged filter may require installing of separate efficient filter into supply line.
- Solenoid valve connector inside faucet is loose.
- Circuit board is faulty. Do not attempt repair, please contact Symmons customer service.
- Solenoid valve is faulty. Do not attempt repair, please contact Symmons customer service.
- Clean around photo cell sensor area or replace sensor.

Water flow is weak

- Water supply stops are not fully open.
- Clean aerator and check strainer on end of supply line. Excessive clogging may require installing of separate efficient filter into supply line.

Water flow from spout fails to turn off

- Sensing range may be too low. Clean around photo cell sensor area.
- Clean solenoid valve membrane or replace solenoid valve.

Water temperature can't be adjusted

- Clean the check strainer on end of supply line.
- Clean or replace the mixer.

Faucet care

Cleaning surface finish

- Block sensor with plastic cleaning cover to prevent faucet from turning on while cleaning.
- Clean finish area by using mild soap and water or non-abrasive cleaner and then rinse immediately. A non-abrasive wax may be used to preserve finish area.

Precautions

- Ensure sensor is not damaged through impact or scratches.
- Ensure sensor is not blocked or disturbed by any object with its detection range.
- Ensure that no strong light source is aimed directly at sensor or through a mirror.

Risk of Freezing

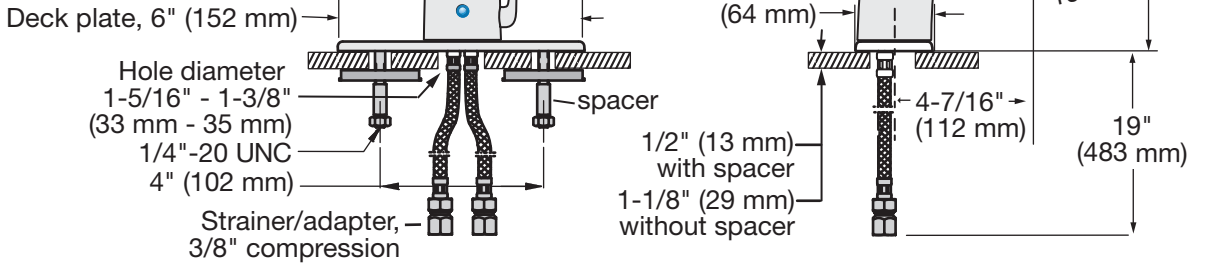
When installing the faucet in a location where the temperature may fall below freezing, the entire system must be drained of water to prevent damage in freezing weather.

- Turn off water supply.
- Disconnect all flexible hoses.
- Drain all parts and hoses of water.

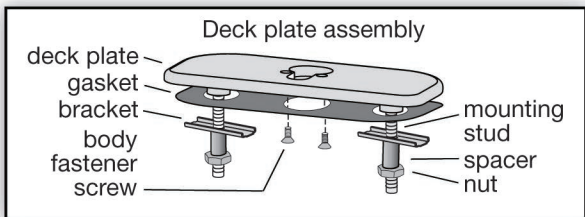
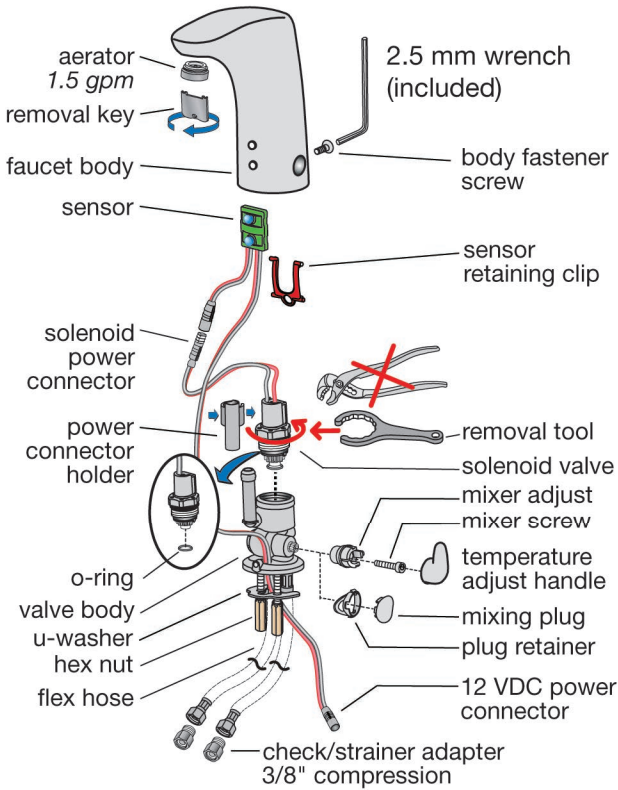
Dimensions Ultra-Sense Lavatory Faucet, S-6080-AC/ACM-12V

Note

- (1) Faucet shown with 4 inch centered deck plate.
- (2) Dimensions subject to change without notice.



Parts Assembly Ultra-Sense Lavatory Faucet, S-6080-AC/ACM-12V



Replacement Parts	
Part Number	Item
SF-240	Solenoid valve with removal tool
SF-239	Sensor and retaining clip
SF-186	Check / strainer kit for flex hose connections
SF-158	Single hole mounting kit
SF-125	Aerator, vandal resistant with removal key #LL-60K ▪ 1.5 gpm (5.7 L/min)
LN-100 LN-217	Non-aerated laminar flow vandal resistant spray outlet with removal key #LL-60K ▪ 0.5 gpm (1.9 L/min) ▪ 1.5 gpm (5.7 L/min)
SF-163	Cleaning cover

Ordering replacement parts:

Call Symmons customer service at (800) 796-6667, (781) 848-2250 M-F 7:30 am - 6:00 pm EST or check our website at www.symmons.com for a list of Symmons distributors.