



Lavatory Faucet S-254 Series

Installation and Service Instructions



INSTALLATION:

Caution: Be sure to turn off hot and cold water supplies before installing or servicing faucet.

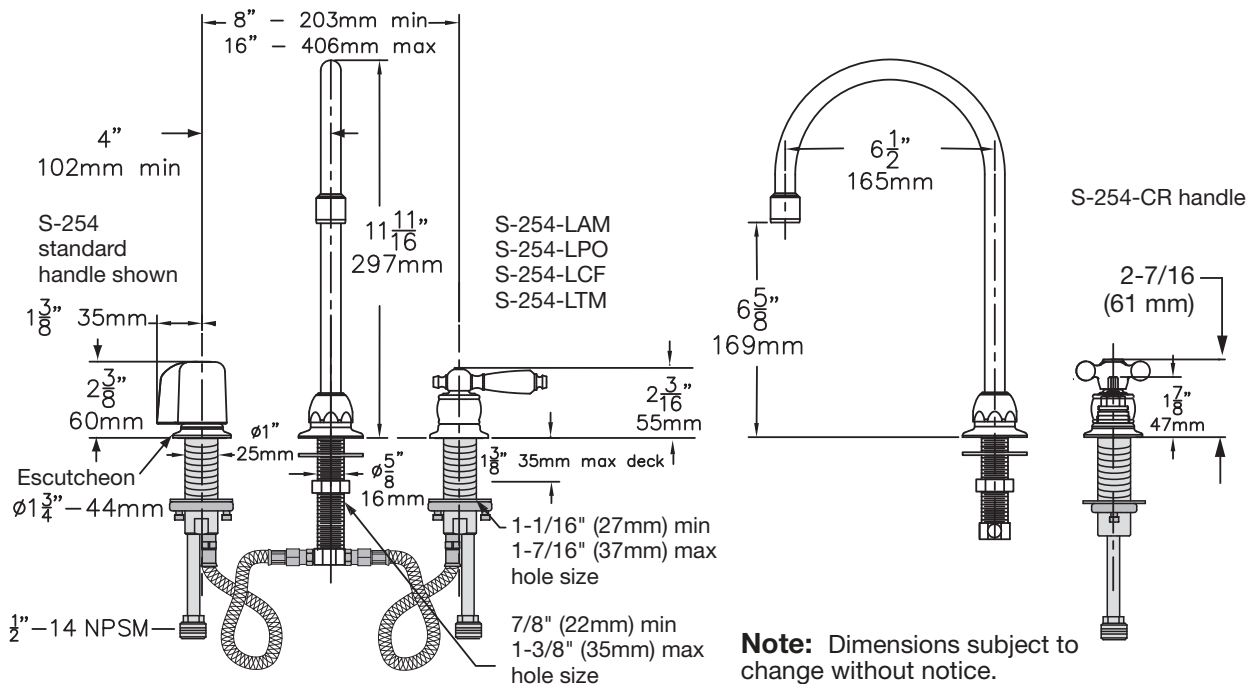
1. Push valve bodies through holes in sink from underneath. Make sure *flange nuts* and *mounting washers* are on underside of sink. Valve with red striped hose (hot) is on the left and blue (cold) is on the right. Put gasket (LN-129) over *valve body*. Thread escutcheon (LN-128) onto *valve body*. The top of the valve spindle should measure 1-7/8" from mounting surface (See rough in drawing).
2. Thread collar (LN-112 or LN-111) on to *valve body* until it reaches the escutcheon (LN-128).
3. Standard or LWG handle installation: Place bushing (LN-115) on valve spindle. Turn valves to off position (CR style: turn clockwise; LWG, LCF, LPO, LAM, and standard style: turn hot clockwise, turn cold counterclockwise). Place handle (LN-131) on bushing. Thread screw (LN-146 or LN-121) into valve and push plug button (T-33R and T-33B) into top of handle. CR, LCF, LPO and LAM handle installation: Place handle on valve spindle and thread screw (LN-121 or LN-134) into valve.
4. Tighten *flange nuts* and *mounting washers* from underneath sink and secure with *mounting screws* if necessary.
5. Swivel spout option: Place spout assembly (LN-200) in centerbody (LN-197). Thread nut (LN-199) onto centerbody (LN-197). Rigid spout option: Thread screw (LN-205) into the bottom of the spout assembly (LN-200). Place spout assembly (LN-200) in center

- body (LN-197). Thread nut (LN-199) onto center body (LN-197).
6. Drop assembled center body and spout through center hole of deck. Secure assembly to sink using nut (SPF-108) and washer (LN-138).
7. Thread tee (LN-189) onto the end of the center body (LN-197). Thread *flex hose adapters* into tee using pipe sealant on the threads. Attach *flex hoses* to *flex hose adapters*.
8. Connect hot supply to left tube and cold supply to right tube using appropriate connectors.
9. It is very important to thoroughly flush the supply lines to prevent foreign matter, i.e. copper chips, sand, stones, etc. from damaging the sealing surfaces of cartridge. Remove aerator and open hot and cold to full open then open both supplies. Let water run through hot and cold long enough to flush supply lines thoroughly. Shut off faucet and replace aerator. Check for leaks.

Cartridge Replacement (KN-113 or KN-114):

1. Remove plug button (T-33, T-33R or T-33B), loosen Philip head screw (LN-121) and remove handle, (LN-131 or LN 152).
2. Remove collars (LN-112) by turning counter clockwise, do not use wrench as this may damage the surface finish.
3. Place wrench on cartridge hex nut (KN-113, KN-114). Turn wrench counter clockwise until cartridge is removed.
4. Install new cartridge. Turn cartridge with wrench until cartridge does not turn easily then turn 1/4 to 1/2 turn further. Reassemble handle in reverse fashion.

Dimensions Origins, S-254, S-254-CR, S-254-LAM, S-254-LPO, S-254-LCF, S-254-LTM

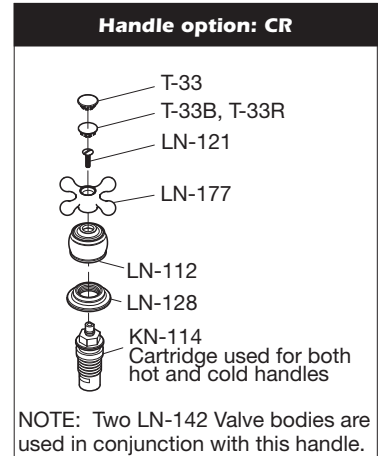
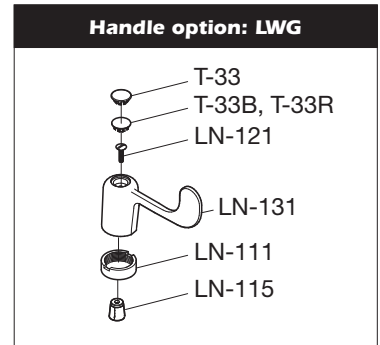
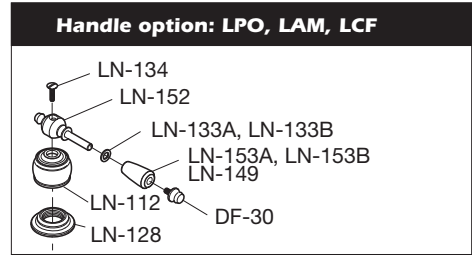
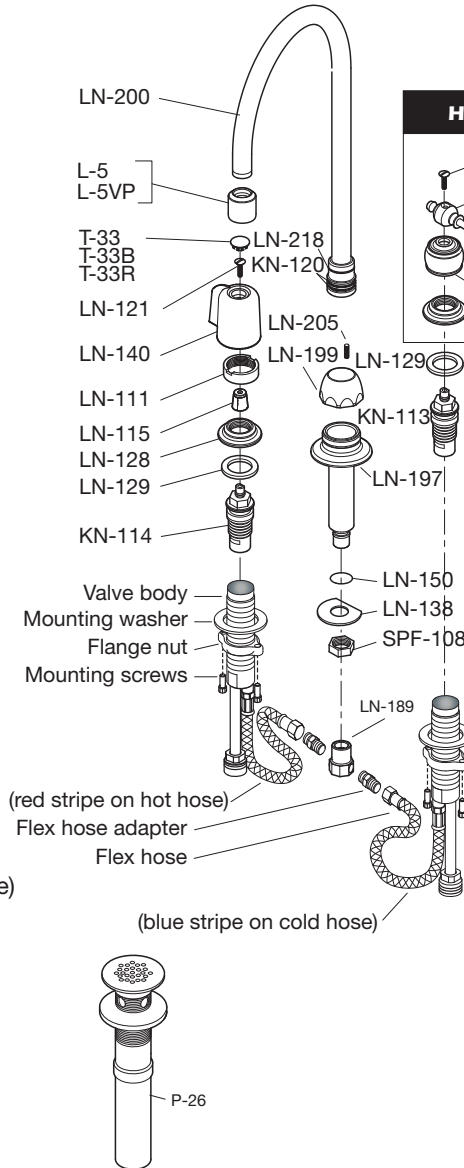



For California Residents

WARNING: This product contains chemicals known to the State of California to cause cancer, birth defects, or other reproductive harm.

Parts Assembly *Origins Widespread Lavatory Faucet, S-254 Series*

- DF-30 Finial, lever, handle (2)
- KN-113 Valve cartridge, cold
- KN-114 Valve cartridge, hot
- KN-120 O-ring (2)
- L-5 Aerator
- L-5VP Aerator (vandal-resistant)
- LN-111 Lock ring (2)
- LN-112 Collar (lever handle) (2)
- LN-115 Bushing (2)
- LN-121 Philips pan head screw (2)
- LN-128 Escutcheon, valve (2)
- LN-129 Gasket, escutcheon (2)
- LN-131 ADA handle (2)
- LN-133A Temperature indicator (red)
- LN-133B Temperature indicator (blue)
- LN-134 Oval Philips head screw (2)
- LN-138 Washer
- LN-140 Lever handle (2)
- LN-149 Clear, Lever, Handle (2)
- LN-150 O-ring
- LN-152 Lever, Handle (2)
- LN-153A White, Lever, Handle (2)
- LN-153B Chrome, Lever, Handle (2)
- LN-177 Cross handle (2)
- LN-189 Tee
- LN-197 Center body
- LN-199 Nut
- LN-200 Spout
- LN-205 Anti-rotation pin
- LN-218 O-ring
- P-26 Grid drain assembly (complete)
- SPF-108 Nut, Hex
- T-33B Plug Button, Blue
- T-33R Plug Button, Hot



Aerator (flow regulator)	Part Number	
	Standard Aerator	Vandal Resistant with removal tool
2.2 gpm (8.3L/min)	SWA-17FR	SWA-17VP
1.5 gpm (5.7L/min)	FLR-111-1.5	----
1.0 gpm (3.8L/min)	FLR-111-1.0	----
.5 gpm (1.9L/min)	----	LL-60B
Removal tool part number, LL-60K		

Ordering replacement parts:

Call Symmons customer service at (800) 796-6667, M-F 7:30 am - 7:00 pm EST or check our website at www.symmons.com for a list of Symmons distributors.