

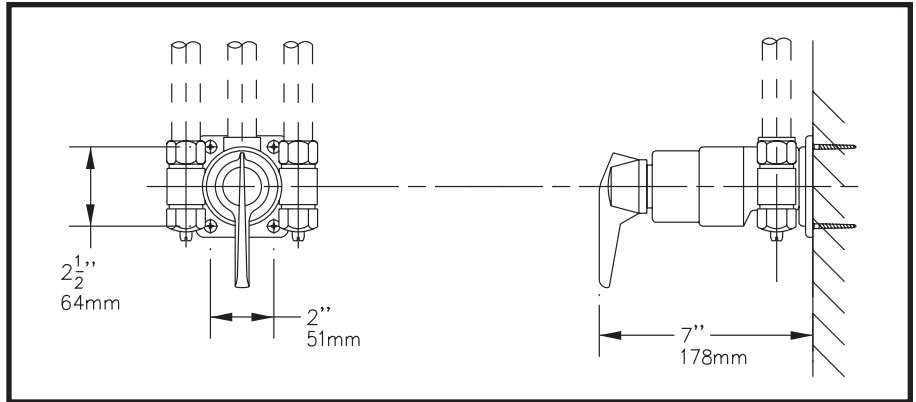
4-521

INSTALLATION INSTRUCTIONS

Product meets **ANSI A112.18.1M**
 Flow rate: **2.5 gpm (9.5 L/min)**

INSTALLATION:

1. Mount valve body.
2. Install water supplies to unions on valve body.



For ADA compliance (Americans with Disabilities Act) consult ADAAG or your state regulations for proper product choice and mounting heights. ADAAG does permit a fixed shower head mounted 48" above the floor in unmonitored facilities where vandalism may be a problem.

INDIVIDUAL PARTS		INDIVIDUAL PARTS		COMPOSITE PARTS	
CE-12A	Lightwall Flange	SC-13C	Dial	C-5	Spindle assembly
CE-12C	Wall Flange Nut	SC-15A	Set screw	C-50	Renewable seat socket wrench
CE-12H	Heavy Duty Wall Flange	SC-18PL	Hot washer screw	KIT-B	Washer and gasket kit
CE-25	Stop body(chrome plated) (2)	SC-3	Renewable seat	SC-2	Cap assembly
CE-26	Cap(chrome plated) (2)	SC-7	Packing nut	SC-3	Renewable seat unit complete
CE-26A	Cap(chrome plated) (2)	SC-9	Cold washer retainer		
CE-27	Spindle assembly (2)	SC-10	Hot washer		
IH-2	Woodscrew (4)	SC-10A	Screws		
HP-10	Body cover	SC-11	Cold washer		
HP-10A	O-ring	SC-17	Packing		
RC-14	Handle	SC-19	Cap gasket		
SC-13BPL	Dome cover				

Tools required for installation:
 Slotted screwdriver, Phillips screwdriver, soldering equipment, adjustable wrench, channel lock pliers, hex socket keys (1/8" and 3/32"), electric drill with 1/4" drill bit, HY-50 screwdriver (provided)

