

1-210VT Visu-Temp® Tub and Shower System

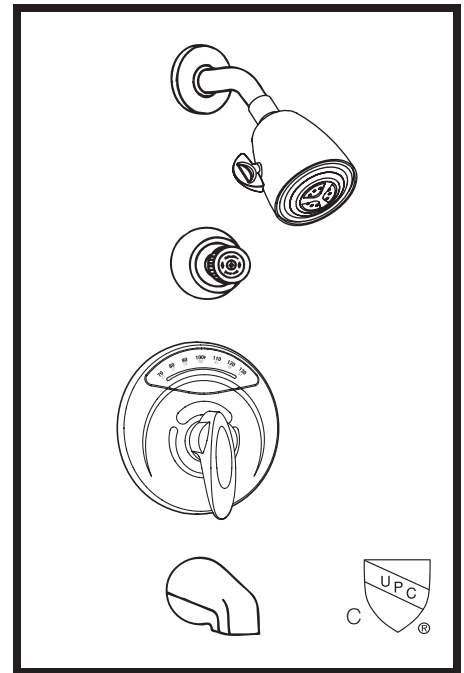
Visu-Temp Pressure-Balancing mixing valve with integral thermometer and adjustable stop screw to limit handle turn. Push-button diverter with volume control for shower head. Super shower head with arm and flange. Tub spout.

Modifications:

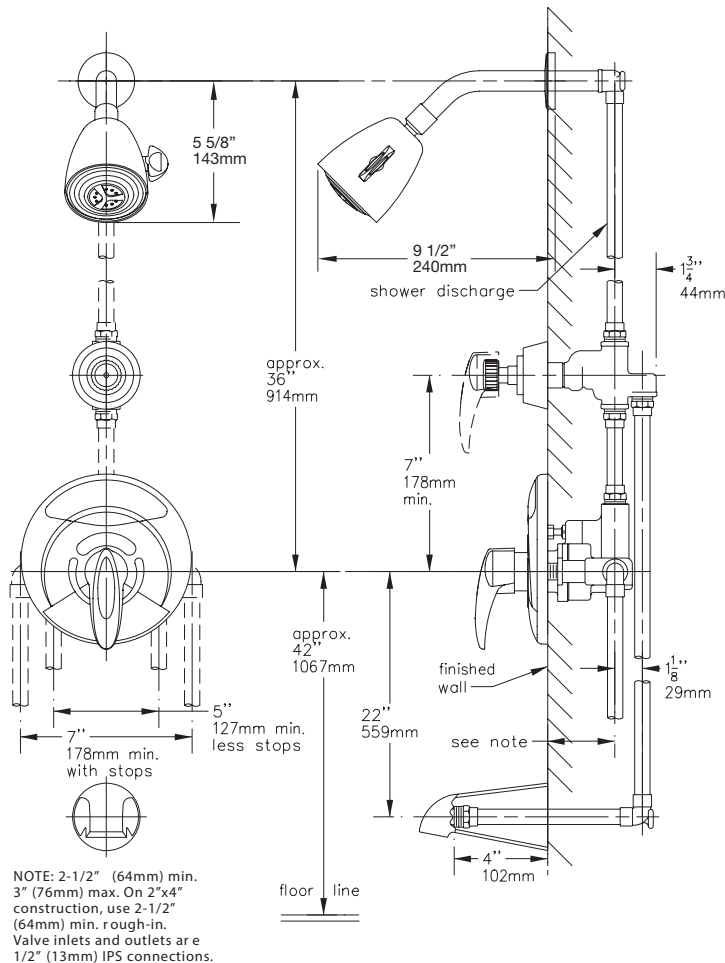
Suffix X: Integral service stops—allows water shut-off at valve for service

Suffix X-3/4 3/4" valve to increase flow approximately 20%

Suffix STN: Satin Nickel finish



**SYMMONS PRODUCTS MEET
ASME A112.18.1/ CSA B125.1
AND ALL KNOWN FLOW RATE
REQUIREMENTS.
Shower Heads and Hand Showers
2.5 GPM (9.5 L/min)**



Job/Location

.....
.....

Engineer

.....
.....

Contractor

.....
.....

This drawing to be used for rough-in installation only. All floor to center dimensions optional. Concealed piping and fittings not furnished by manufacturer. For ADA compliance (Americans with Disabilities Act) consult ADAAG or your state regulations for proper product choice and mounting locations. For complete installation, adjustment and service information see installation instructions.

Symmons Industries, Inc. ■ 31 Brooks Drive ■ Braintree, MA 02184
Phone: (800) 796-6667 ■ Fax: (800) 961-9621
Website: symmons.com ■ Email: gethelp@symmons.com

Copyright © 2016 Symmons Industries, Inc. ■ ZV-1622 REV A ■ 112816

SYMMONS®
the smart choice™