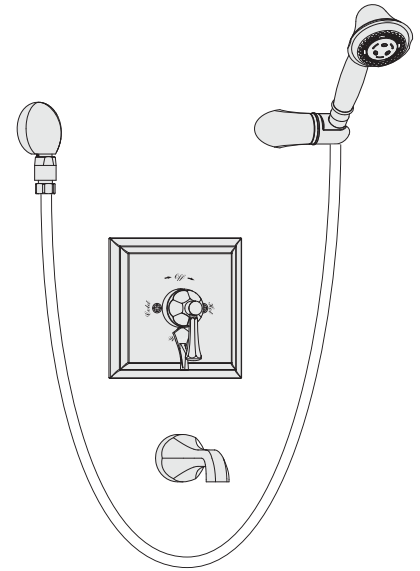


Location:

SYMMONS® Canterbury™

Tub and Hand Shower System S-4504 Specification Submittal



Feature Highlights

- Symmons tub and hand shower system with lever handles.
- Symmons Temptrol® pressure balancing mixing valve with adjustable stop screw to limit handle turn.
- Secondary integral volume control handle
- Wall/hand shower with 5 foot flexible metal hose, in-line vacuum breaker, wall connection and cradle for hand shower mounting
- Flow rate 2.5 gpm (9.5 L/min)
- Tub spout
- Metal construction with polished chrome finish

Model Numbers

- S-4504..... Tub and Hand Shower System with Symmons Temptrol® pressure balancing mixing valve p/n S-4002-BODY
- S-4504-TRM..... Trim only, valve and diverter must be ordered separately
- S-4002-BODY..... Symmons Temptrol® pressure balancing mixing valve without trim
- S-4002-X-BODY..... Symmons Temptrol® pressure balancing mixing valve without trim. Valve includes integral service stops to allow water shut-off for service.

Finish Options / Modifications

Append appropriate -suffix to model number.

- STN Satin nickel
- Polished chrome (standard finish)

Options / Modifications

Append appropriate -suffix to model number.

- IPS 1/2 inch female IPS connections on Symmons Temptrol® mixing valve
- X Symmons Temptrol® pressure balancing mixing valve includes integral service stops to allow water shut-off for service, p/n S-4002-X-BODY. (Option only applies when ordering model S-4504.)
- 2.0 2.0 (7.6 L/min) Flow rate restrictor
- 1.5 1.5 (5.7 L/min) Flow rate restrictor

Standards / Certifications

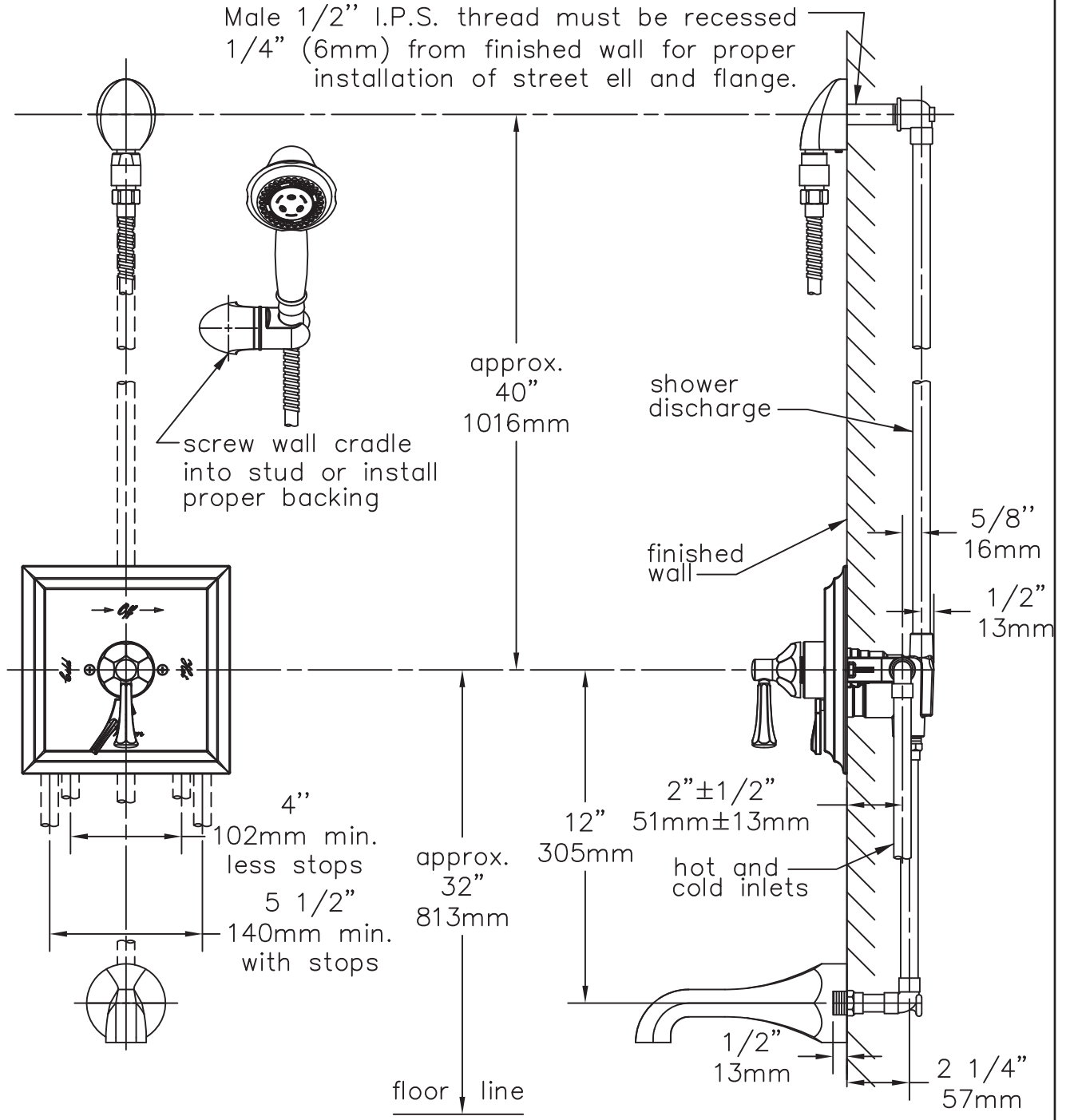
ASME A112.18.1-2005/CSA B125.1-05

Warranty

- Limited Lifetime - to the original end purchaser in consumer installations.
- 5 years - for commercial installations

Dimensions *Canterbury Tub and Hand Shower System, S-4504*

Male 1/2" I.P.S. thread must be recessed 1/4" (6mm) from finished wall for proper installation of street ell and flange.



Note: Dimensions subject to change without notice.