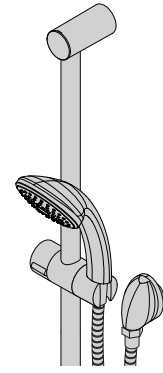





H421-V

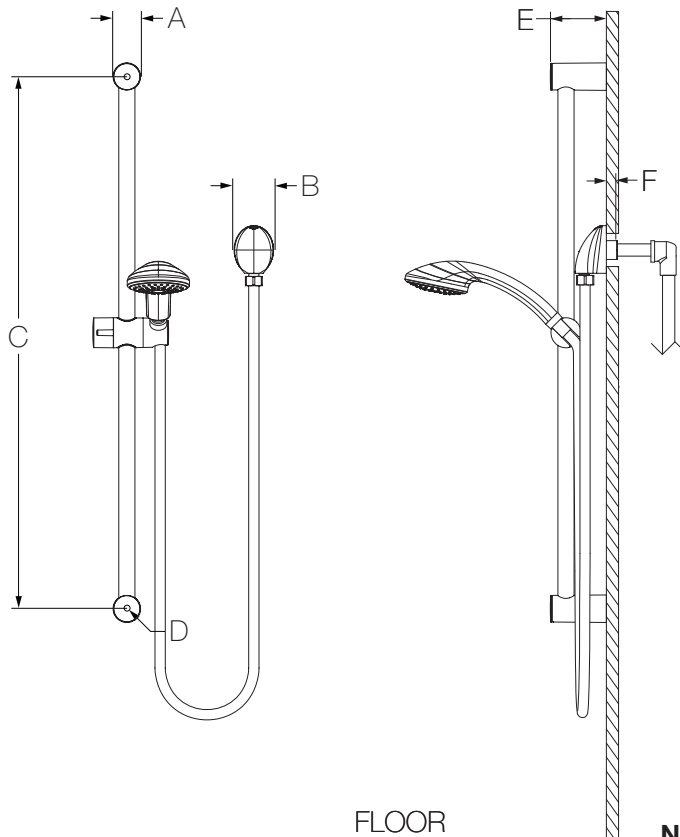
1 Mode Hand Shower Unit

Installation Guide



Model Numbers	Feature Highlights
<input type="checkbox"/> H421-V <i>1 Mode Hand Shower Unit</i>	<ul style="list-style-type: none"> • 1 mode hand shower • 3-3/4" diameter hand shower head • Dual checks for backflow protection • 30" slide bar with cradle for hand shower mounting • 60" flexible metal hose • Standard 2.5 gpm (9.5 L/min) flow restrictor • Shall be metal and nonmetallic construction, plated in standard polished chrome finish
Options/Modifications	
<input type="checkbox"/> -1.5 <i>1.5 gpm (5.7 L/min) flow restrictor</i> <input type="checkbox"/> -2.0 <i>2.0 gpm (7.6 L/min) flow restrictor</i> <input type="checkbox"/> -STN <i>Satin Nickel finish</i> Note: Append appropriate -suffix to model number.	
Compliance	Warranty
- ASME A112.18.1/CSA B125.1 	Limited Lifetime - to the original end purchaser in consumer installations. 5 Years - for commercial installations. Refer to www.symmons.com/warranty for complete warranty information.

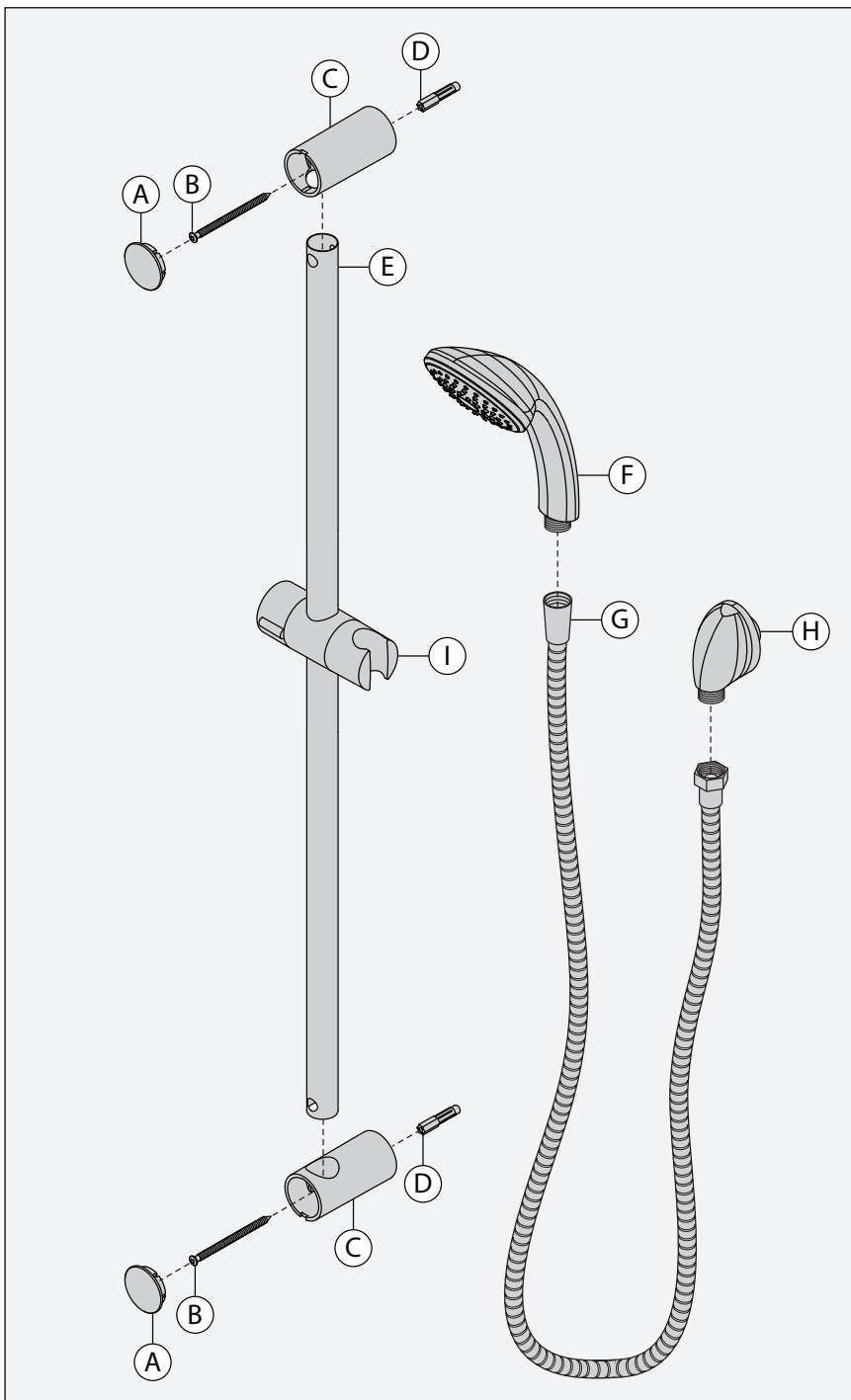
Dimensions




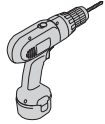
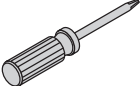

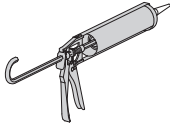
Measurements	
A	Ø 1-1/2", 38 mm
B	2-1/8", 54 mm
C	28-9/16", 725 mm
D	(2x) Hole Size: Ø 1/4", 6 mm
E	3", 76 mm
F	Male 1/2-14 NPT fitting must be recessed 1/4" (6 mm) from finished wall

Note: Dimensions subject to change without notice.

Parts Breakdown



Replacement Parts		
Item	Description	Part Number
A	(2x) Cap	RA-003
B	(2x) Screw	
C	(2x) Bar End	
D	(2x) Tile Anchor	
E	30" Bar 48" Bar	RA-005 RA-006
F	Hand Shower	EF-118
G	60" Hose	EF-02976
H	Wall Elbow	EF-105
I	Slide Assembly	RA-004

Tools Required for Installation	
Adjustable Wrench	
Drill	
Phillips Head Screwdriver	
Plumber Tape	
Silicone	

Notes:

- 1) Apply a bead of silicone around the perimeter of all shower trim installed flush to the finished wall.
- 2) Apply plumber tape to all threaded connections.

⚠ WARNING: This product can expose you to chemicals including lead, which is known to the state of California to cause cancer, birth defects, or other reproductive harm. For more information, go to www.P65Warnings.ca.gov.