
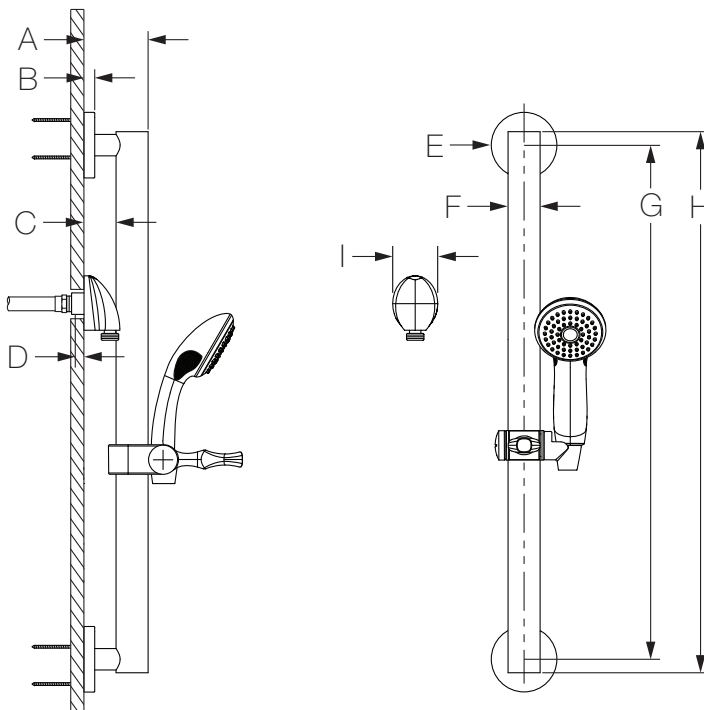




H35-24, H35-36  
Grab Bar/Slide Bar Assembly  
**Operation & Maintenance Manual**

Model Numbers	Feature Highlights
<input type="checkbox"/> <b>H35-24</b> 24" Grab Bar/Slide Bar Assembly <input type="checkbox"/> <b>H35-36</b> 36" Grab Bar/Slide Bar Assembly	<ul style="list-style-type: none"> <li>• Bar supports up to 250 lbs.</li> <li>• 1-1/2" diameter bar</li> <li>• ADA adjustable slide mechanism</li> <li>• 60" flexible metal hose</li> <li>• 1 mode ADA hand shower wand (p/n ADACHS) with non-positive shut off</li> <li>• Dual checks for back flow protection</li> <li>• 2.5 gpm (9.5 L/min) flow restrictor</li> <li>• Components shall be metal and nonmetallic construction, plated in standard polished chrome finish</li> </ul>
Finish Options/Modifications	
<input type="checkbox"/> <b>L/HS</b> Less hand shower wand <input type="checkbox"/> <b>-STN</b> Satin Nickel finish	
<p><b>Note:</b> Append appropriate -suffix to model number.</p>	
Compliance	Warranty
<p>-ASME A112.18.1/CSA B125.1</p> 	<p><b>Limited Lifetime</b> - to the original end purchaser in consumer/residential installations.  <b>5 Years</b> - for industrial/commercial installations.            Refer to <a href="http://www.symmons.com/warranty">www.symmons.com/warranty</a> for complete warranty information.</p>

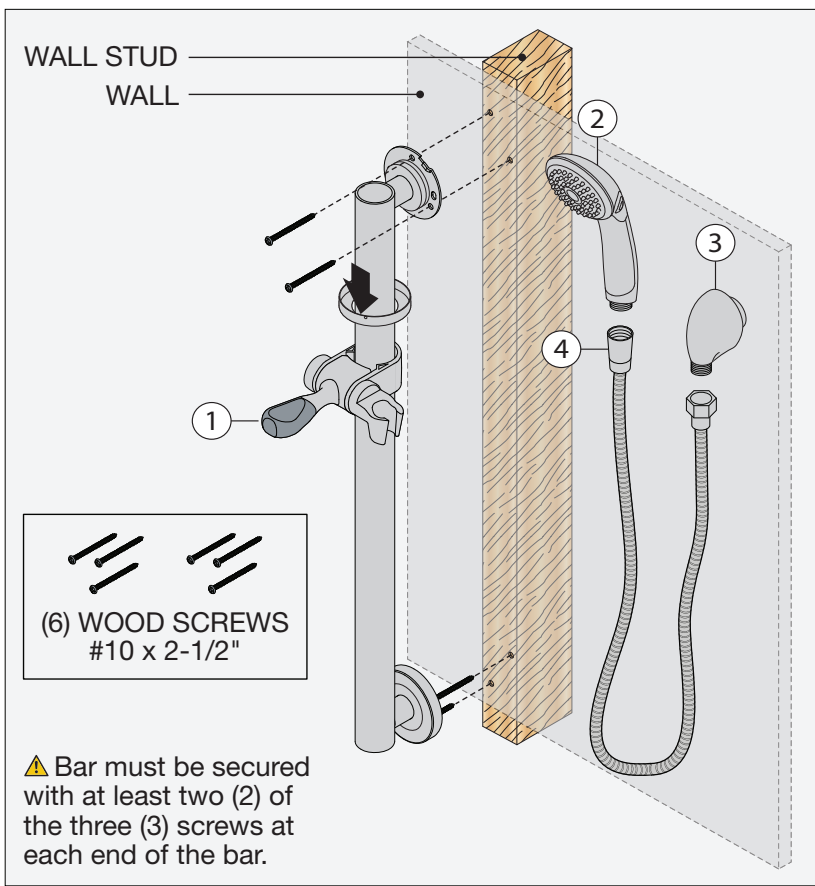
**Dimensions**



Measurements	
A	3-1/16", 78 mm
B	(2x) 1/2", 13 mm
C	1-1/2", 38 mm
D	Male 1/2-14 NPT fitting must be recessed 1/4" (6 mm) from finished wall
E	(2x) Ø 3-1/16", 78 mm
F	Ø 1-1/2", 38 mm
G	24", 610 mm ( <b>H35-24</b> ) 36", 914 mm ( <b>H35-36</b> )
H	25-1/4", 641 mm ( <b>H35-24</b> ) 37-1/4", 946 mm ( <b>H35-36</b> )
I	2-1/8", 54 mm

**Note:**  
 1) Hose removed for clarity.  
 2) Dimensions subject to change without notice.

## Parts Breakdown

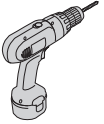
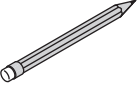
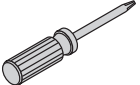

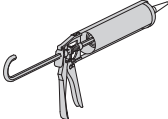



## Replacement Parts

Item	Description	Part Number
1	Slide Mechanism	FP-SM6*
2	Hand Shower	ADACHS*
3	Wall Elbow	EF-105*
4	60" Hose	RTS-045*

\*Note: Apply appropriate -suffix to part number for optional finish or flowrate.

## Tools Required for Installation

Drill: • 7/64" Drill Bit for Wall • 1/4" Carbide Tip Drill Bit for Ceramic Tile	
Pencil	
Phillips Head Screwdriver	
Safety Glasses	
Silicone	
Stud Finder	

## ⚠ IMPORTANT NOTES FOR PROPER INSTALLATION

DO NOT install this product without first reading and understanding the instructions. If you are unable to understand these warnings and instructions, contact professional or technical personnel for assistance - otherwise injury may occur.

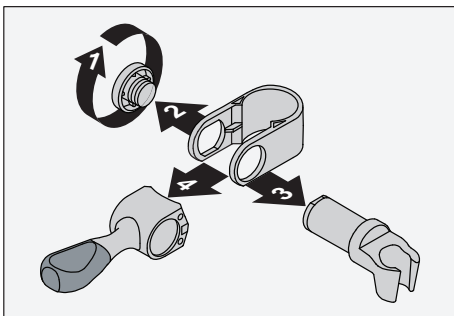
### Bar Location

- For proper mounting heights and location consult with your state and local code official having jurisdiction over the installation.

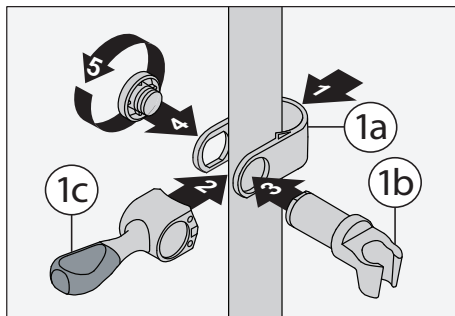
### Solid Support

- Bar ends must be mounted with both end positions over a wall stud. A stud finder can be used to locate wall studs. Contractor is responsible for installing bar to wall studs as instructed.
- Secure through wall board or tile to the wall stud so as to hold a minimum of 250 pounds of force.
- At least two (2) of the three (3) wood screws provided must be used on top and bottom mounting holes, at each end of the bar, to properly secure. Standard size wall stud limits using more than two (2) wood screws.
- If using a drill to install wood screws, a drill bit extension must be used to avoid damaging the bar and decorative covers.

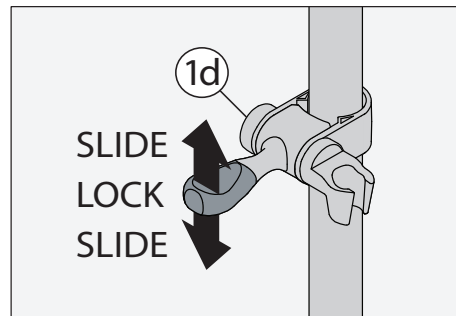
## Slide Mechanism Installation



1) Disassemble slide mechanism as shown above.

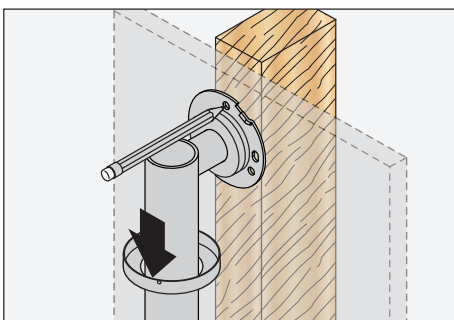


2) Install slide mechanism to bar. Flat edges on 1a and 1b must be aligned. Arrows on 1a and 1c identify bottom side of components.

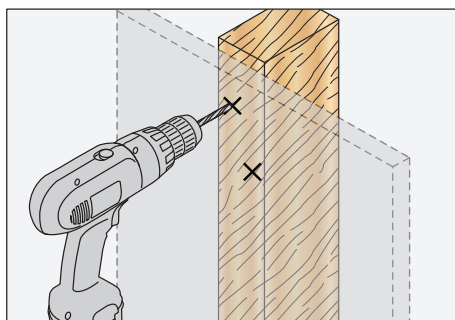


3) Adjust screw cap 1d for ease of movement of slide mechanism. Slide mechanism will lock in place when lever handle is centered.

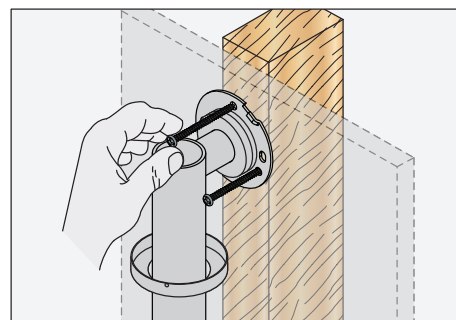
## Slide/Grab Bar Installation (Wall & Wall Studs)



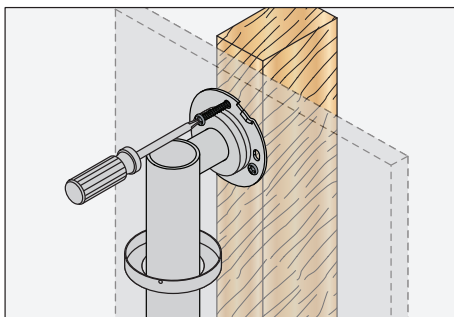
1) Place bar at desired position. Slide covers over bar to reveal flanges. Mark drill hole locations with pencil at each end on inner side of flanges.



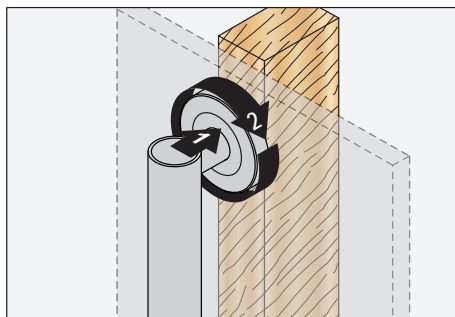
2) Remove bar from wall. Use drill with 7/64" drill bit to drill holes into wall and wall studs at the marked positions.



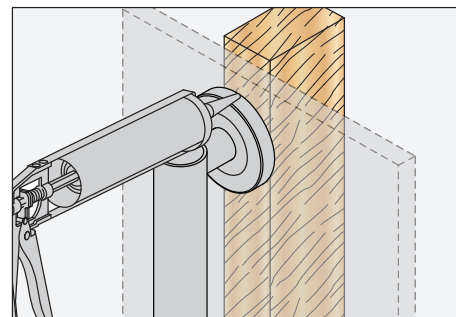
3) Align mounting holes on bar with drill holes. Insert wood screws into pilot holes for wall and wall studs. Hand tighten wood screws.



4) Tighten all wood screws using a phillips head screwdriver, securing bar to wall.

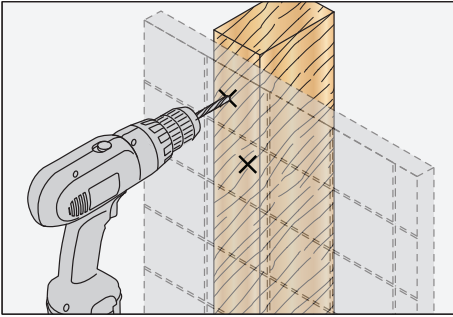


5) Place decorative covers over bar flanges so they sit flush with wall. Turn decorative covers to secure.

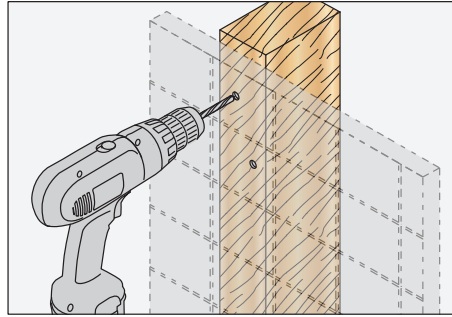


6) Apply a bead of silicone around the perimeter of the decorative covers to prevent water from bleeding through the mounting holes and potentially damaging the wall and wall studs.

## Slide/Grab Bar Installation (Ceramic Tile)



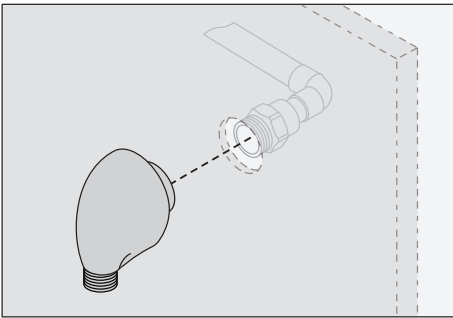
1) Use drill with 1/4" carbide tip drill bit to drill holes into ceramic tile at the marked positions to prevent damage to the tiles.



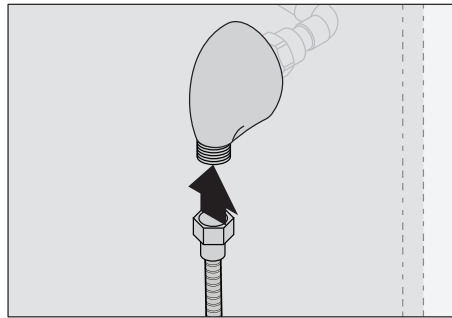
2) Use drill with 7/64" drill bit to drill pilot holes into wall studs through ceramic tile.

3) Follow steps 3, 4, 5 and 6 for wall and wall studs to complete installation of bar onto ceramic tile.

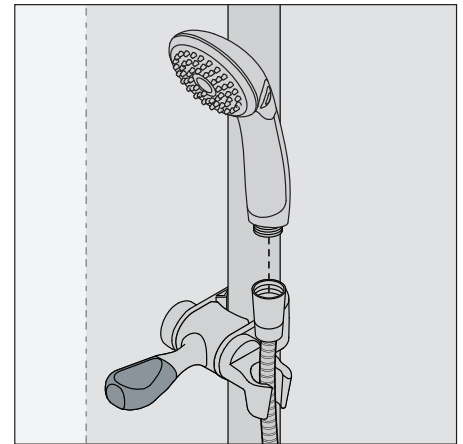
## Installation (Accessories)



1) Install wall elbow to male 1/2-14 NPT pipe fitting. 1/2-14 NPT pipe fitting must be recessed 1/4" (6 mm) from finished wall.



2) Attach small end of hand shower hose to wall elbow.



3) Attach large end of hand shower hose to hand shower wand. Rest hand shower wand in cradle of slide mechanism.

## Troubleshooting Chart

Problem	Cause	Solution
Finish is spotting.	Elements in water supply may cause water staining on finish.	Clean finished trim area with a soft cloth using mild soap and water or a non-abrasive cleaner and then quickly rinse with water.

**⚠ WARNING:** This product can expose you to chemicals including lead, which is known to the state of California to cause cancer, birth defects, or other reproductive harm. For more information, go to [www.P65Warnings.ca.gov](http://www.P65Warnings.ca.gov).