
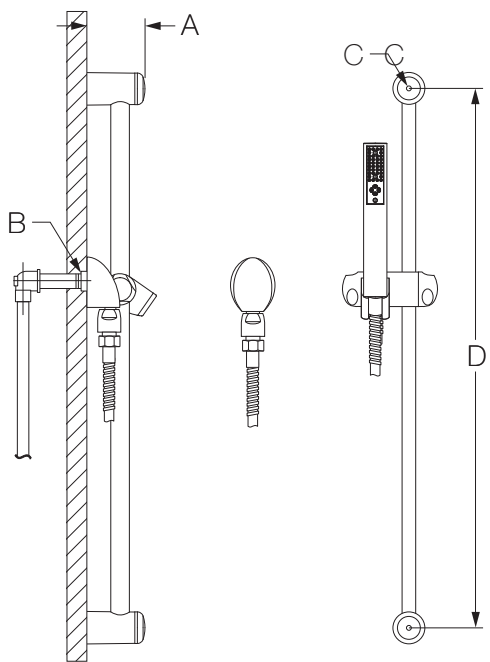




532HSB
Hand Shower Unit
Operation & Maintenance Manual

Model Numbers	Specification
<input type="checkbox"/> 532HSB <i>Hand Shower Unit</i>	Hand shower unit includes dual checks for backflow protection, 30" slide bar with cradle for hand shower mounting, 60" flexible metal hose, 2 mode hand shower and standard 2.5 gpm (9.5 L/min) flow restrictor. Components made from metal and nonmetallic materials, plated in standard polished chrome finish.
Modifications	
<input type="checkbox"/> -1.5 CG <i>1.5 gpm (5.7 L/min) flow restrictor</i> <input type="checkbox"/> -2.0 <i>2.0 gpm (7.6 L/min) flow restrictor</i> <input type="checkbox"/> -STN <i>Satin Nickel finish</i>	
Note: Append appropriate -suffix to model number.	Warranty
Compliance	Limited Lifetime - to the original end purchaser in consumer/residential installations. 5 Years - for industrial/commercial installations. Refer to www.symmons.com/warranty for complete warranty information.
-ASME A112.18.1/CSA B125.1 	

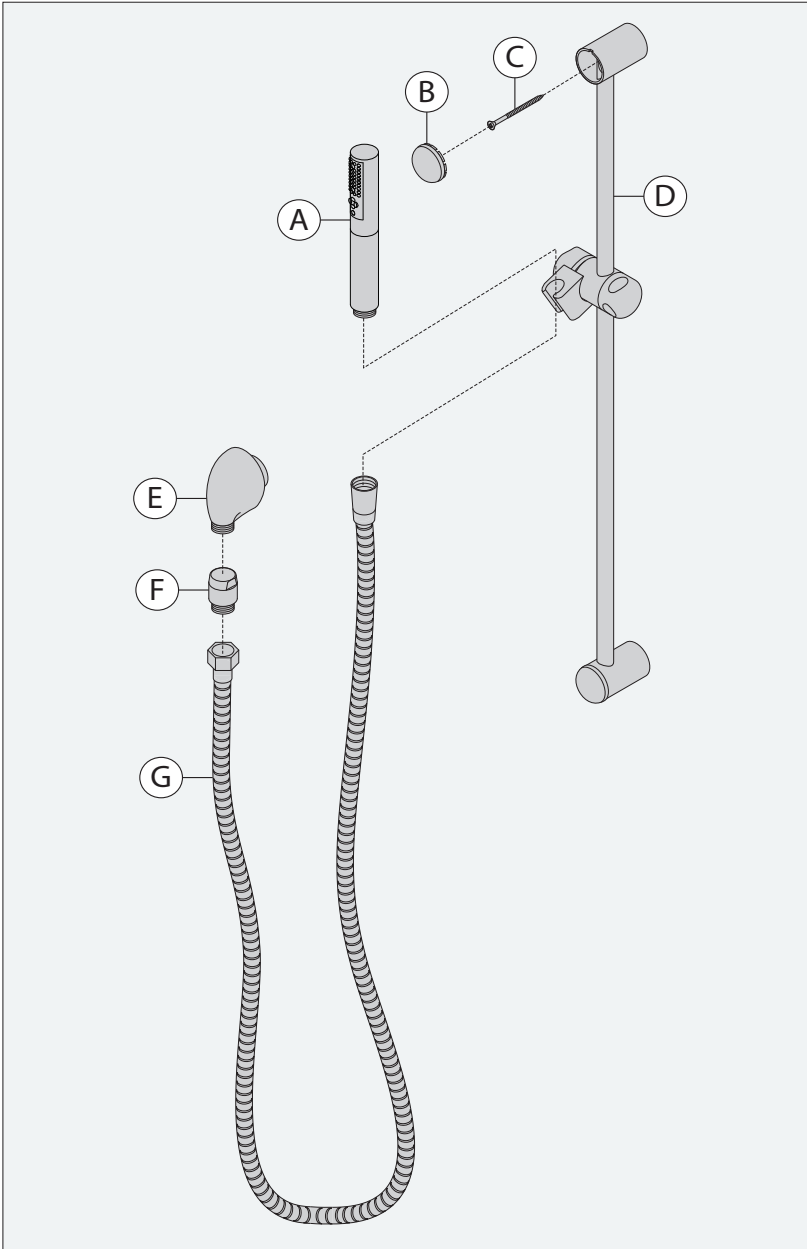
Dimensions



Measurements	
A	3-1/8", 79 mm
B	Male 1/2-14 NPT fitting must be recessed 1/4" (6 mm) from finished wall
C	(2x) Hole Size Dry wall: Ø 3/16", 5 mm Stud: Ø 1/8", 3 mm
D	28-5/16", 719 mm



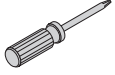


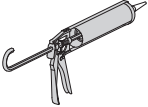
Note: Dimensions subject to change without notice.

Parts Breakdown



Replacement Parts		
Item	Description	Part Number
A	Hand Shower	402W*
B	Slide Bar	EF-02284*
C		
D		
E	Wall Elbow	EF-105*
F	Vacuum Breaker (optional)	EF-109*
G	60" Hose	EF-02976

Note: Append modification -STN to part number for Satin Nickel finish.

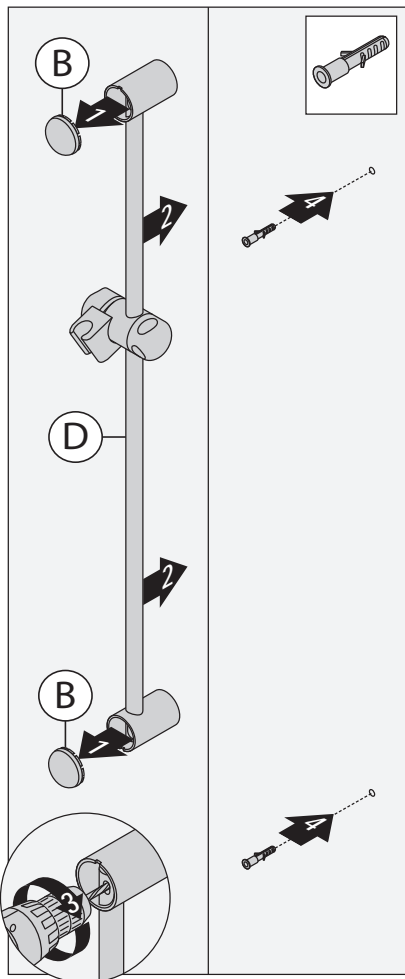
Tools Required for Installation	
Adjustable Wrench	
Allen Wrench: 3 mm	
Phillips Head Screwdriver	
Plumber Tape	
Power Drill	
Silicone	

Notes:

- 1) Apply a bead of silicone around the perimeter of all shower trim installed flush to the finished wall (less mounting plates and brackets). Leave opening on bottom of escutcheons for weep hole.
- 2) Apply plumber tape to all threaded connections.

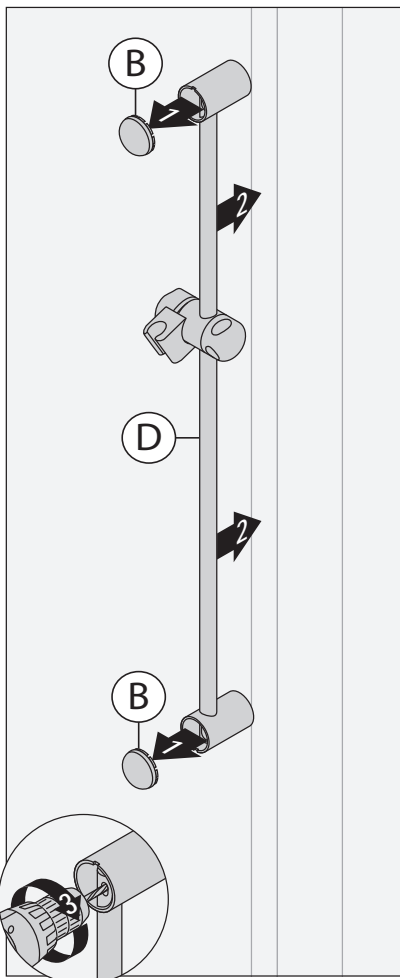
Installation

1a) **Dry Wall Option:** Remove upper and lower caps (B) from slide bar brackets. Place slide bar (D) into desired position. Using brackets as a guide, carefully drill 3/16" holes into wall. Remove slide bar and install anchors.



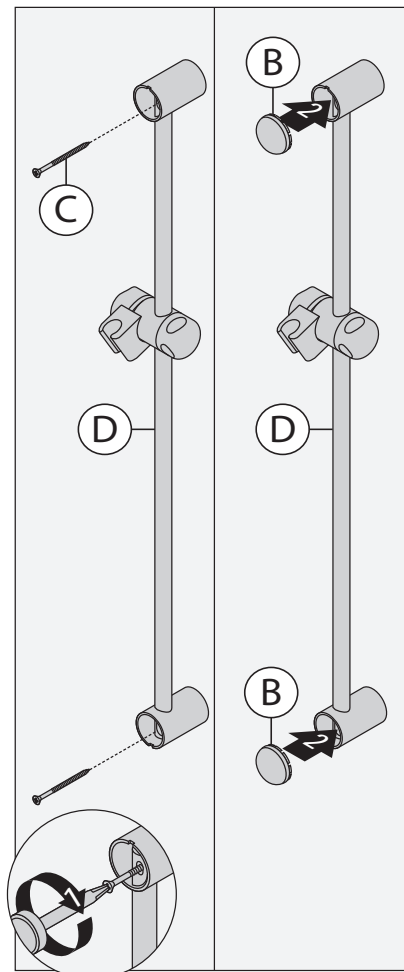
Notes: Make sure that slide bar holes and bracket holes are aligned before drilling. Before drilling bottom hole, make sure slide bar is plumb.

1b) **Stud Option:** Remove upper and lower caps (B) from slide bar brackets. Place slide bar (D) into desired position. Using brackets as a guide, carefully drill 1/8" pilot holes into stud.



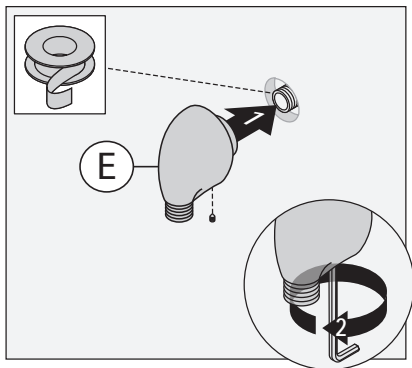
Notes: Make sure that slide bar holes and bracket holes are aligned before drilling. Before drilling bottom hole, make sure slide bar is plumb.

2) With slide bar (D) in position, secure to wall using screws (C). Replace upper and lower caps (B) onto slide bar brackets.

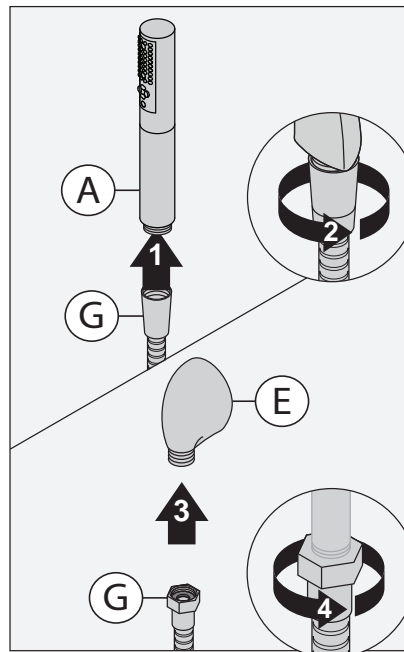


Installation

3) Install wall elbow (E) to stub out pipe. Tighten set screw to secure.



4) Attach large end of hose (G) to hand shower wand (A). Attach small end of hose (G) to wall elbow (E). Turn clockwise to tighten.



Troubleshooting Chart

Troubleshooting Chart		
Finish is spotting.	Elements in water supply may cause water staining on finish.	Clean finished trim area with a soft cloth using mild soap and water or a non-abrasive cleaner and then quickly rinse with water.

⚠ WARNING: This product can expose you to chemicals including lead, which is known to the state of California to cause cancer, birth defects, or other reproductive harm. For more information, go to www.P65Warnings.ca.gov.