

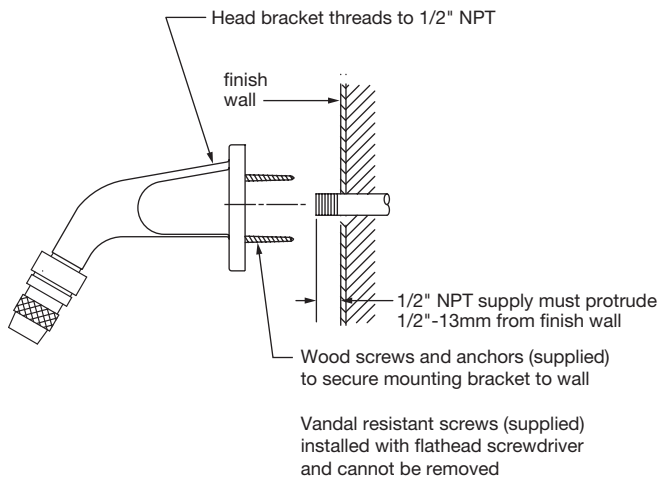
4-385

Institutional type shower head with adjustable spray. Nozzle-type design for maximum protection against hard water mineral build-up.

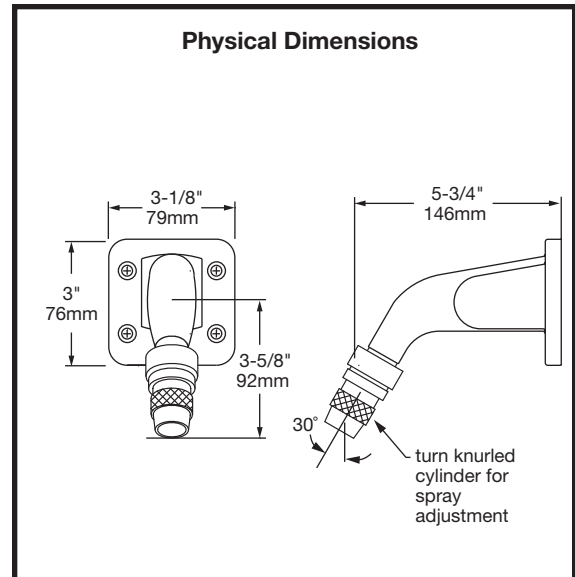
Suffix A: Anchor plate to simplify mounting on ceramic tile

Suffix B: Back plate and thru bolts for extra thick wall

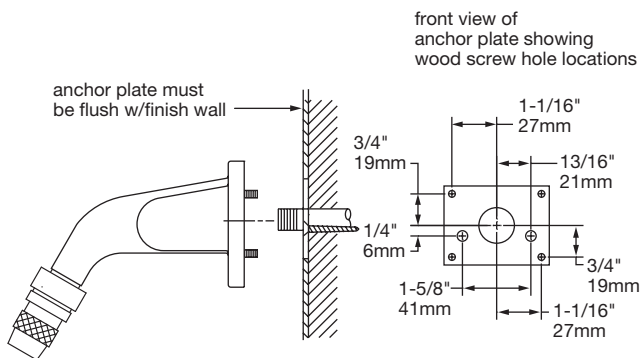
Standard Installation



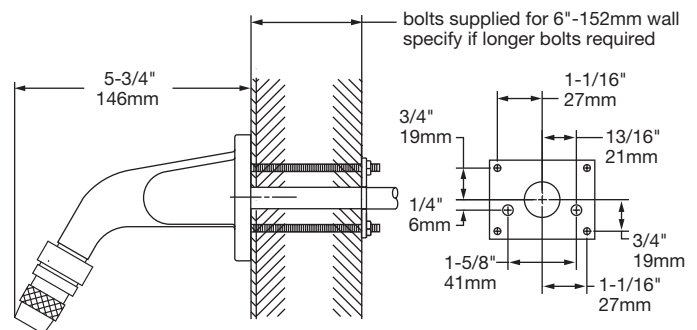
Physical Dimensions



Installation with Anchor Plate — Suffix "A"



Installation with Back Plate — Suffix "B"



Anchor plate used for ceramic tile application—plate screws to wall and tile is applied up to sides of plate. Mounting bracket is mounted on finished wall with machine screws into anchor plate

Symmons Industries, Inc. ■ 31 Brooks Drive ■ Braintree, MA 02184

Phone: (800) 796-6667 ■ Fax: (800) 961-9621

Website: symmons.com ■ Email: gethelp@symmons.com

Copyright © 2018 Symmons Industries, Inc. ■ ZV-383 REV B ■ 010918


SYMMONS[®]
the smart choice[™]