





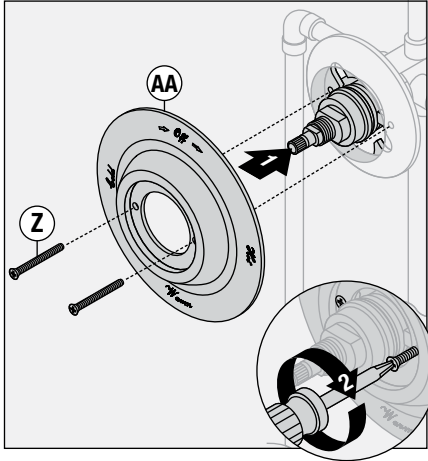


# Installation

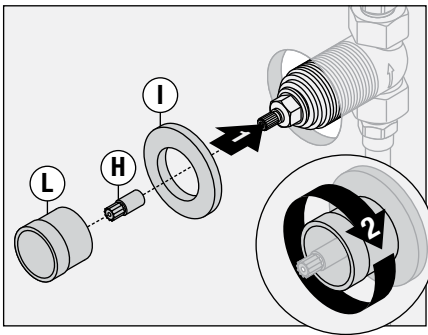
**Note:**

For valve body installation, please see valve body installation guides.

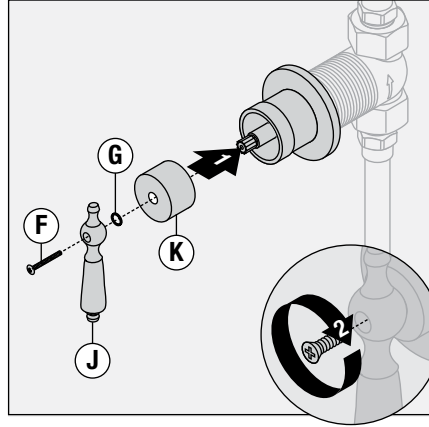
- 1) Install shower escutcheon (AA) to shower valve. Secure with two screws (Z).



- 2) Attach volume control escutcheon (I), and spindle extension (H) to volume control valve. Secure with sleeve (L).

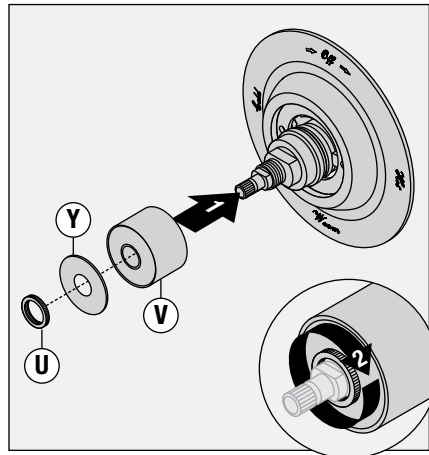


- 3) Install volume control dome cover (K), o-ring (G), and volume control handle (J) to volume control valve and secure with set screw (F).

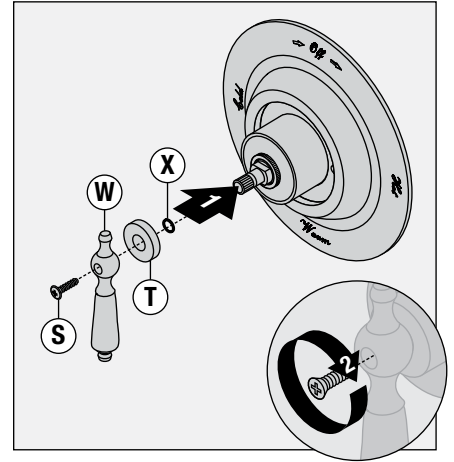


**Notes:** Handles should be facing the 6 o'clock position.

- 4) Install shower dome cover (V) and dial (Y) to shower valve and secure with lock nut (U).

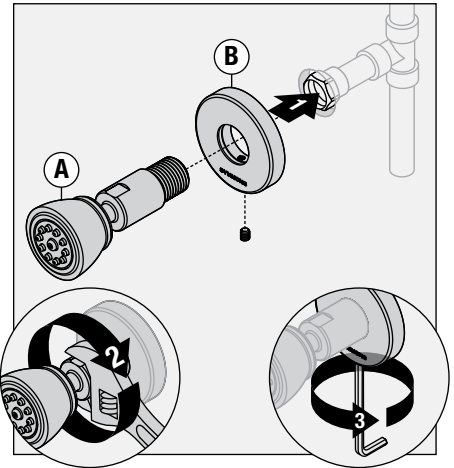


- 5) Install o-ring (X), flange (T), and shower handle (W) to valve and secure with set screw (S).



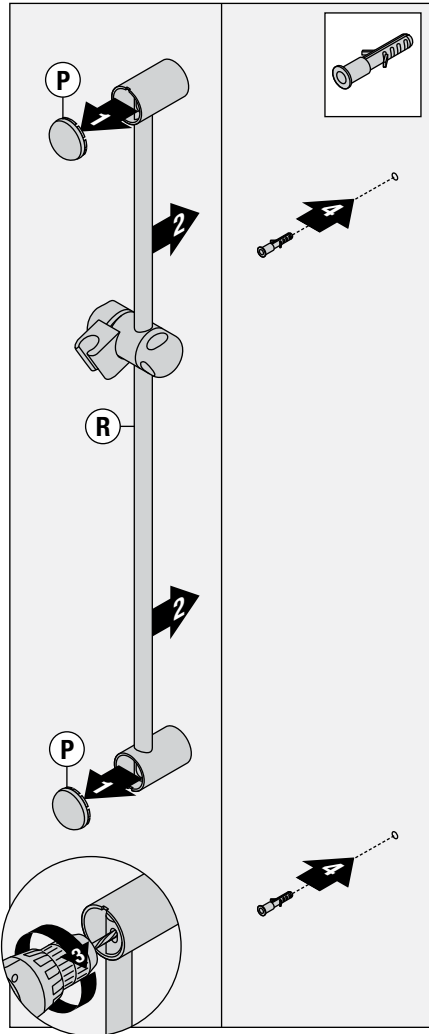
**Notes:** Handle should be facing the 6 o'clock position. Temperature indicator will be facing the 12 o'clock position.

- 6) Install body spray (A) and flange (B) to pipe fitting. Turn clockwise to secure. Secure flange with set screw. Repeat for remaining body sprays.



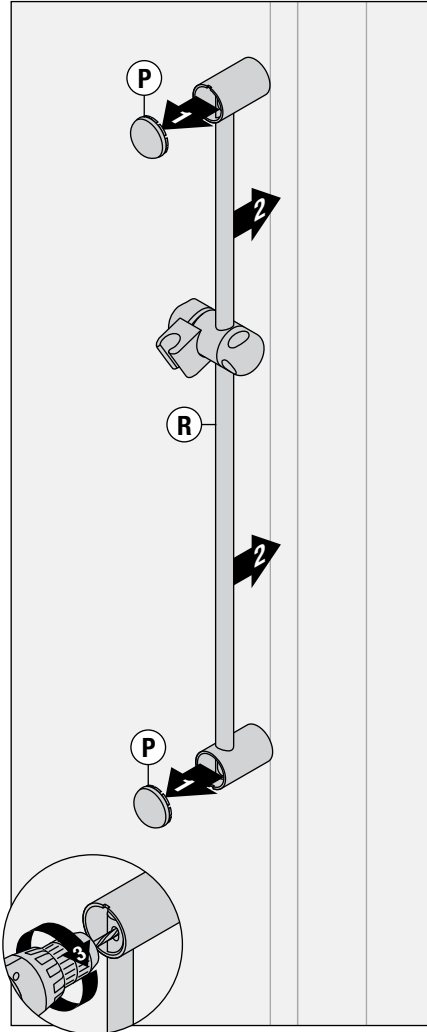
## Installation

7a) **Dry Wall Option:** Remove upper and lower caps (P) from 30" slide bar brackets. Place 30" slide bar (R) into desired position. Using brackets as a guide, carefully drill 3/16" holes into wall. Remove 30" slide bar and install anchors.



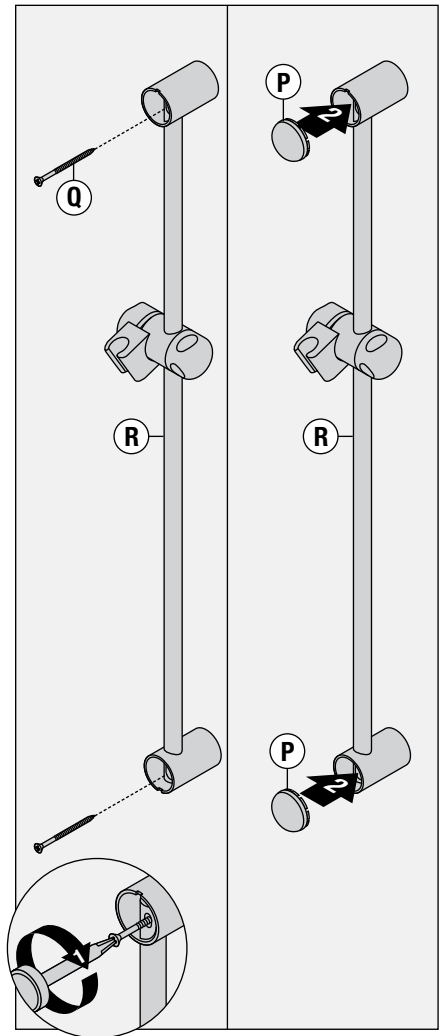
**Notes:** Make sure that 30" slide bar holes and bracket holes are aligned before drilling. Before drilling bottom hole, make sure 30" slide bar is plumb.

7b) **Stud Option:** Remove upper and lower caps (P) from 30" slide bar brackets. Place 30" slide bar (R) into desired position. Using brackets as a guide, carefully drill 1/8" pilot holes into stud.



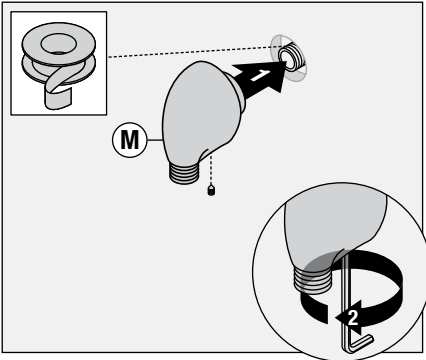
**Notes:** Make sure that 30" slide bar holes and bracket holes are aligned before drilling. Before drilling bottom hole, make sure 30" slide bar is plumb.

8) With 30" slide bar (R) in position, secure to wall using screws (Q). Replace upper and lower caps (P) onto 30" slide bar brackets.

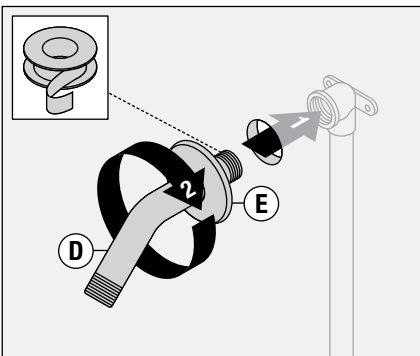


## Installation

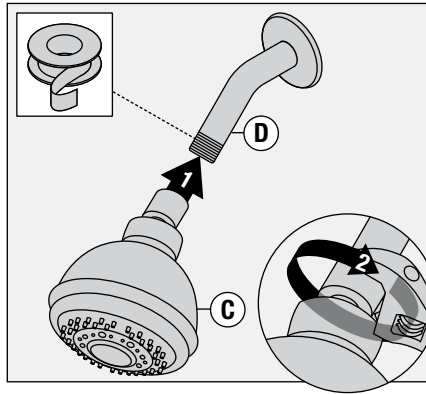
- 9) Install wall elbow (M) to pipe fitting. Secure with set screw.



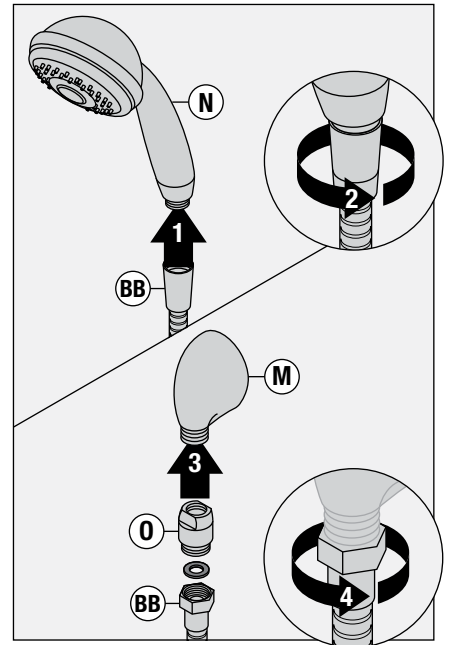
- 10) Attach shower arm (D) and flange (E) to vertical shower pipe turning clockwise to tighten.



- 11) Install showerhead (C) to shower arm (D). Turn clockwise to tighten.



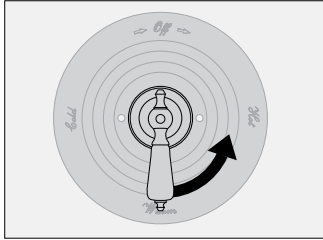
- 12) Attach large end of hand shower hose (BB) to hand shower (N). Attach small end of hand shower hose (BB) and gasket to in-line vacuum breaker (O). Connect in-line vacuum breaker to wall elbow (M). Turn clockwise to tighten.



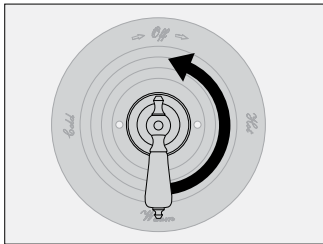
## Operation

### Temperature Control

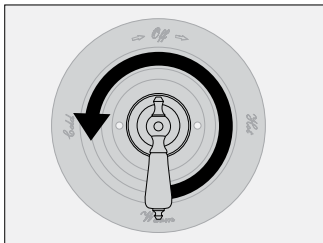
- 1) Turn shower handle counterclockwise approximately 1/4 turn to put valve in cold position.



- 2) Turn shower handle counterclockwise approximately 1/2 turn to put valve in warm position.

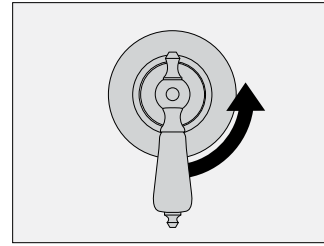


- 3) Turn shower handle counterclockwise approximately 3/4 turn to put valve in hot position.

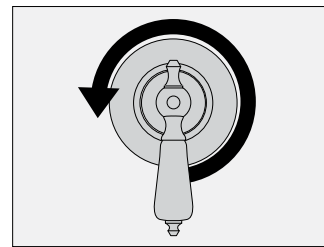


### Volume Control

- 1) Turn diverter lever 1/2 turn for low pressure operation.



- 2) Turn diverter lever 3/4 turn for high pressure operation.



## Care and Cleaning

- 1) Clean finished trim area with a soft cloth using mild soap and water or a non-abrasive cleaner and then quickly rinse with water.

## Troubleshooting Chart

Problem	Cause	Solution
Finish is spotting.	Elements in water supply may cause water staining on finish.	Clean finished trim area with a soft cloth using mild soap and water or a non-abrasive cleaner and then quickly rinse with water.