



# SYMMONS® DS Creations


the smart choice™



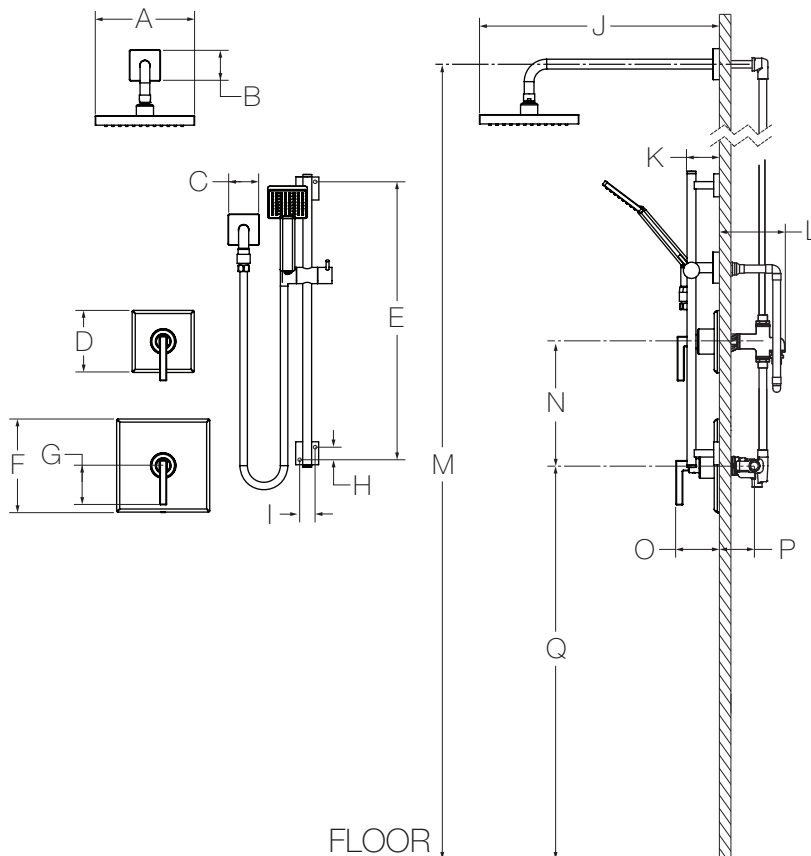
0630-3605-YSB-TRM (CD0630-3605-YSB-TRM)

Shower/Hand Shower Trim

## Installation Guide

| Model Numbers  | Specification   |
|--|---|
| <input type="checkbox"/> <b>0630-3605-YSB-TRM</b><br><i>Shower/Hand Shower Trim</i>  | Shower/Hand Shower Trim shall include metal lever handle, 30" metal slide bar, separate dual outlet diverter trim, in-line vacuum breaker, 60" flexible metal hose, 1 mode square showerhead, 1 mode square hand shower and 2.5 gpm (9.5 L/min) flow restrictors. Shower/Hand Shower trim shall be made from metal construction, plated in standard polished chrome finish. |
| Warranty   | Compliance  |
| <p><b>Limited Lifetime</b> - to the original end purchaser in consumer/residential installations.</p> <p><b>5 Years</b> - for industrial/commercial installations.</p> <p>Refer to <a href="http://www.symmons.com/warranty">www.symmons.com/warranty</a> for complete warranty information.</p> | <p>-ASME A112.18.1/CSA B125.1</p>    |

## Dimensions

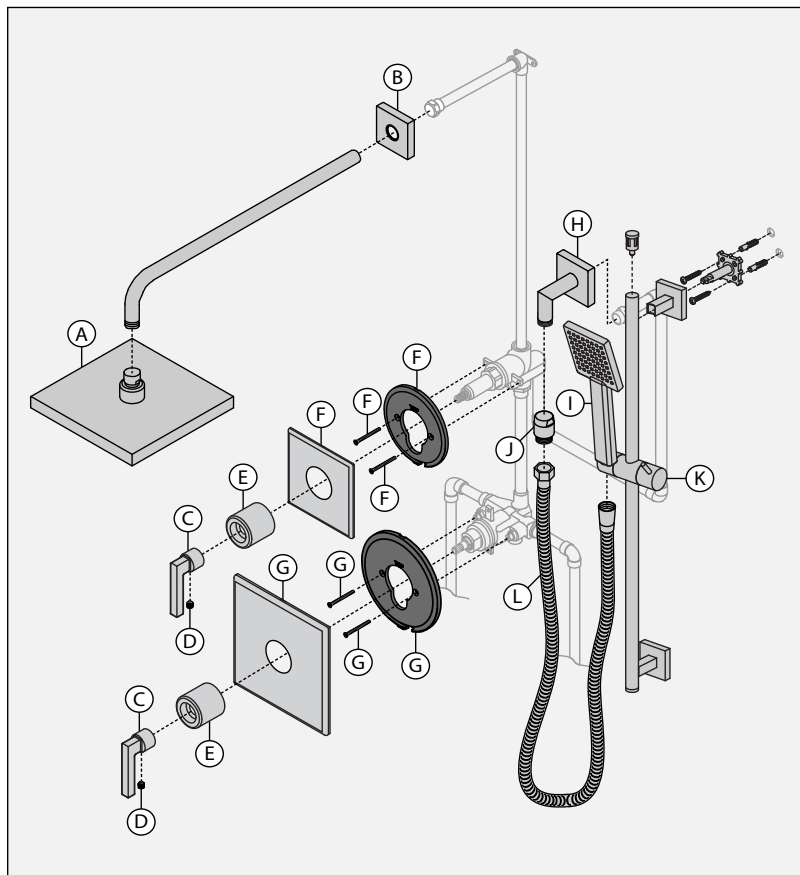


| Measurements |  |
|--------------|--|
| A            | Sq. 8", 203 mm                           |
| B            | Sq. 2-1/2", 64 mm                        |
| C            | Sq. 2-1/2", 64 mm                        |
| D            | Sq. 5", 127 mm                           |
| E            | 21-5/8", 549 mm                          |
| F            | Sq. 7-1/2", 191 mm                       |
| G            | 3-1/8", 79 mm                            |
| H            | 13/16", 21 mm                            |
| I            | 1", 25 mm                                |
| J            | 15-5/16", 389 mm                         |
| K            | 2-9/16", 65 mm                           |
| L            | 4-7/8", 124 mm                           |
| M            | Ref. 77", 1956 mm                        |
| N            | 10", 254 mm                              |
| O            | 3-7/16", 87 mm                           |
| P            | Rough-in<br>2-3/8" ± 1/2", 60 mm ± 13 mm |
| Q            | Ref. 42", 1067 mm                        |

### Notes:

- 1) All dimensions measured from nominal rough-in (see P as reference).
- 2) Dimensions subject to change without notice.

## Parts Breakdown




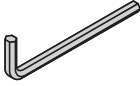
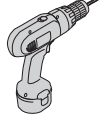
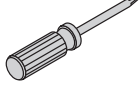

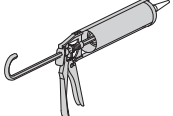
### Notes:

- 1) Apply a bead of silicone around the perimeter of all shower trim installed flush to the finished wall (less mounting plates and brackets). Leave opening on bottom of escutcheon for weep hole.
- 2) Apply plumber tape to all threaded connections.

### Replacement Parts

| Item | Description         | Part Number  |
|------|---------------------|--------------|
| A    | Showerhead          | 361SH-8      |
| B    | Flange              | T-375-KIT    |
| C    | Handle              | T-617        |
| D    | Set Screw           |              |
| E    | Dome Cover          | RTS-036      |
| F    | Diverter Escutcheon | RTS-040      |
| G    | Shower Escutcheon   | RTS-001      |
| H    | Wall Ell            | T-444-SQ-KIT |
| I    | Hand Shower         | 0195-2W      |
| J    | Vacuum Breaker      | EF-104       |
| L    | 60" Metal hose      |              |
| K    | Slide Bar           | T-754        |

### Tools Required for Installation

|                             |   |
|-----------------------------|---|
| Adjustable Wrench           |    |
| Allen Wrench: Handle (3 mm) |    |
| Drill                       |   |
| Phillips Head Screwdriver   |  |
| Plumber Tape                |  |
| Silicone                    |  |

**⚠ WARNING:** This product can expose you to chemicals including lead, which is known to the state of California to cause cancer, birth defects, or other reproductive harm. For more information, go to [www.P65Warnings.ca.gov](http://www.P65Warnings.ca.gov).