



# SYMMONS® DS Creations


the smart choice™



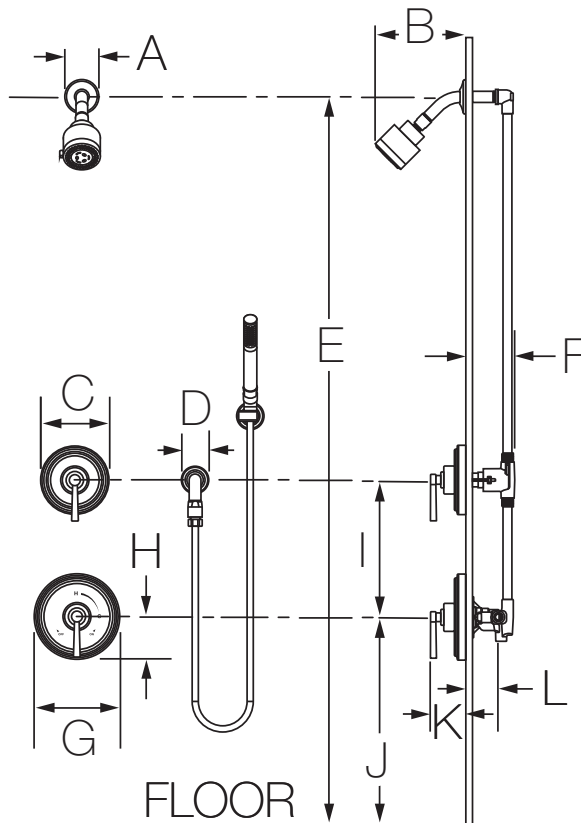
0600-05-HS-2.0-TRM (CD0600-05-HS-2.0-TRM)

Shower/Hand Shower Trim

## Installation Guide

Model Numbers	Specification
<input type="checkbox"/> <b>0600-05-HS-2.0-TRM</b> <i>Shower/Hand Shower Trim</i>	Shower/Hand Shower Trim shall include metal lever handle, separate dual outlet diverter trim, in-line vacuum breaker, 60" flexible metal hose, 3 mode showerhead, 1 mode hand shower and 2.0 gpm (7.6 L/min) flow restrictors.
Warranty	Shower/Hand Shower trim shall be made from metal construction, plated in standard polished chrome finish.
<p><b>Limited Lifetime</b> - to the original end purchaser in consumer/residential installations.</p> <p><b>5 Years</b> - for industrial/commercial installations.</p> <p>Refer to <a href="http://www.symmons.com/warranty">www.symmons.com/warranty</a> for complete warranty information.</p>	Compliance
	<p>-ASME A112.18.1/CSA B125.1</p> 

## Dimensions

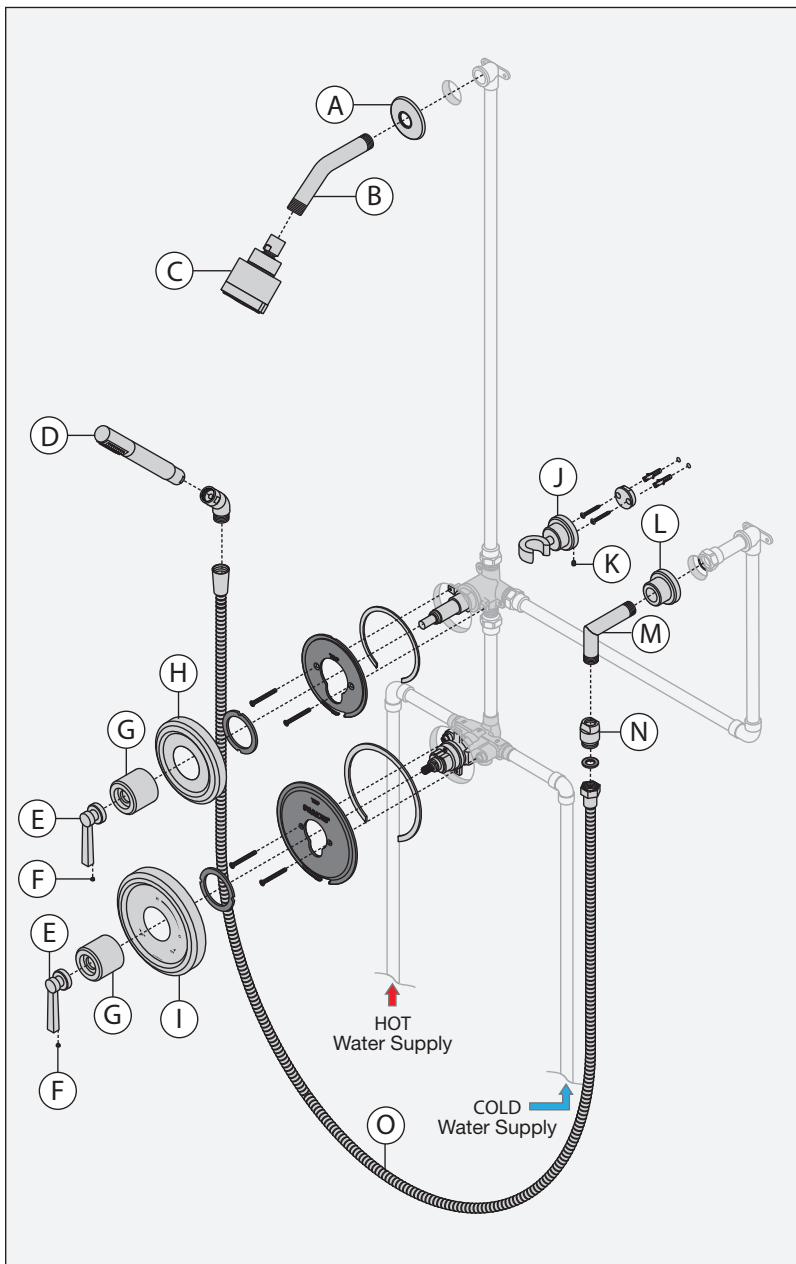


Measurements	
A	Ø 2-1/2", 64 mm
B	6-5/8", 168 mm
C	Ø 5", 127 mm
D	Ø 2", 51 mm
E	Ref. 77", 1956 mm
F	3-1/2", 89 mm
G	Ø 6-1/4", 159 mm
H	3", 76 mm
I	Ref. 10", 254 mm
J	Ref. 32", 813 mm
K	2-9/16", 65 mm
L	(Rough in) 2-3/8" ± 1/2", 60 mm ± 13 mm

### Notes:



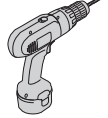
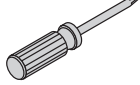

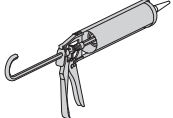
- 1) All dimensions measured from nominal rough-in (see L as reference).
- 2) Dimensions subject to change without notice.

## Parts Breakdown



Replacement Parts		
Item	Description	Part Number
A	Flange	300S
B	Shower Arm	300S
C	Showerhead	352SH-2.0
D	Hand Shower	432W-2.0
E	Handle	RTS-060
F	Set Screw	RTS-060
G	Dome Cover	RTS-036
H	Diverter Escutcheon	RTS-070
I	Shower Escutcheon	RTS-071
J	Cradle	RTS-059
K	Set Screw	RTS-059
L	Wall Ell Assembly	RTS-072
M	Wall Ell Assembly	RTS-072
N	Vacuum Breaker	EF-104
O	60" Metal Hose	EF-104

### Tools Required for Installation

Adjustable Wrench	
Allen Wrench: Handle (2 mm) Cradle (2 mm)	
Drill	
Phillips Head Screwdriver	
Plumber Tape	
Silicone	

#### Notes:

- 1) Apply a bead of silicone around the perimeter of all shower trim installed flush to the finished wall (less mounting plates and brackets). Leave opening on bottom of escutcheon for weep hole.
- 2) Apply plumber tape to all threaded connections.

**⚠ WARNING:** This product can expose you to chemicals including lead, which is known to the state of California to cause cancer, birth defects, or other reproductive harm. For more information, go to [www.P65Warnings.ca.gov](http://www.P65Warnings.ca.gov).