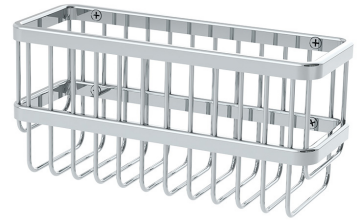




# SYMMONS® DS Creations

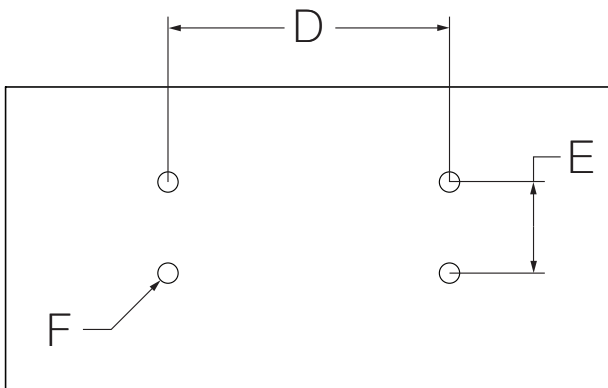
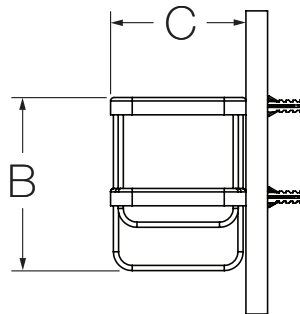
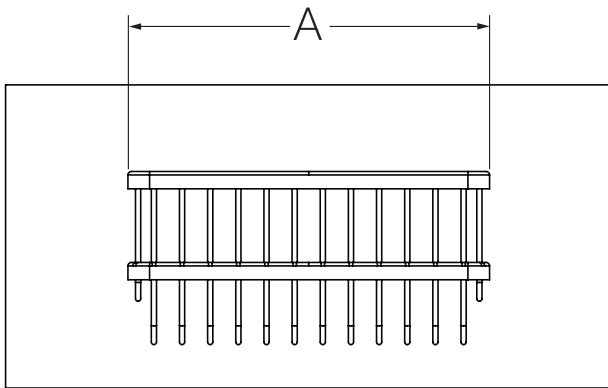
the smart choice™

0492-SB (CD0492-3SB-BBZ)  
 Wall Mounted Soap Basket  
**Installation Guide**



Model Numbers	Specification
<input type="checkbox"/> <b>0492-SB</b> <i>Wall Mounted Soap Basket</i>	Wall Mounted Soap Basket shall be made from metal construction, plated in standard polished chrome finish.
<b>Warranty</b>	
<p><b>Limited Lifetime</b> - to the original end purchaser in consumer/residential installations.</p> <p><b>5 Years</b> - for industrial/commercial installations.</p> <p>Refer to <a href="http://www.symmons.com/warranty">www.symmons.com/warranty</a> for complete warranty information.</p>	

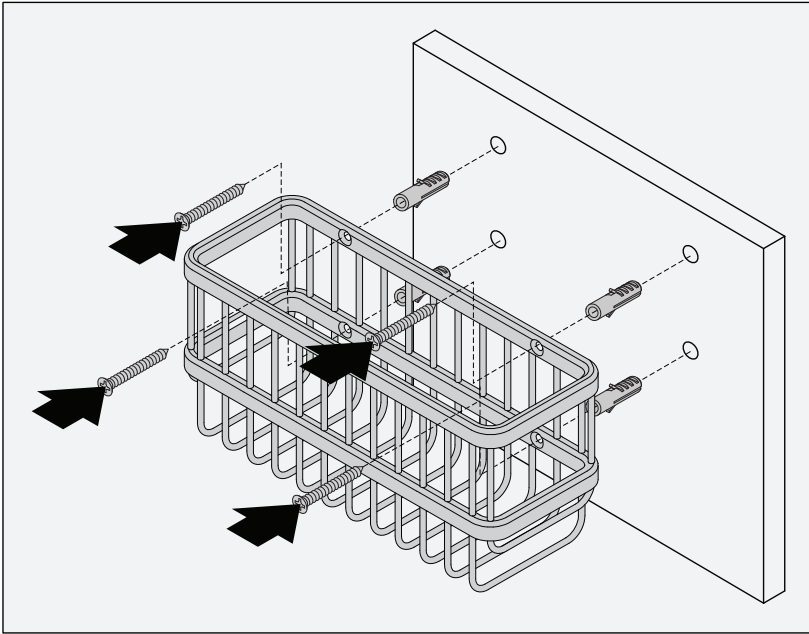
## Dimensions



Measurements	
A	8-3/8", 213 mm
B	4", 102 mm
C	3-1/8", 79 mm
D	(2x) 6-1/4", 159 mm
E	(2x) 2-1/8", 54 mm
F	(4x) Hole Size Ø 1/4", 6 mm

**Note:** Dimensions subject to change without notice.

## Parts Breakdown



### Tools Required for Installation

Drill	
Phillips Head Screwdriver	

**⚠ WARNING:** This product can expose you to chemicals including lead, which is known to the state of California to cause cancer, birth defects, or other reproductive harm. For more information, go to [www.P65Warnings.ca.gov](http://www.P65Warnings.ca.gov).