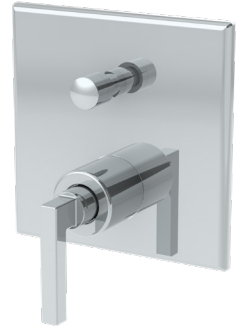




SYMMONS® DS Creations

the smart choice™



0376-00-OATL-TRM (CD0376-00-OATL-TRM)

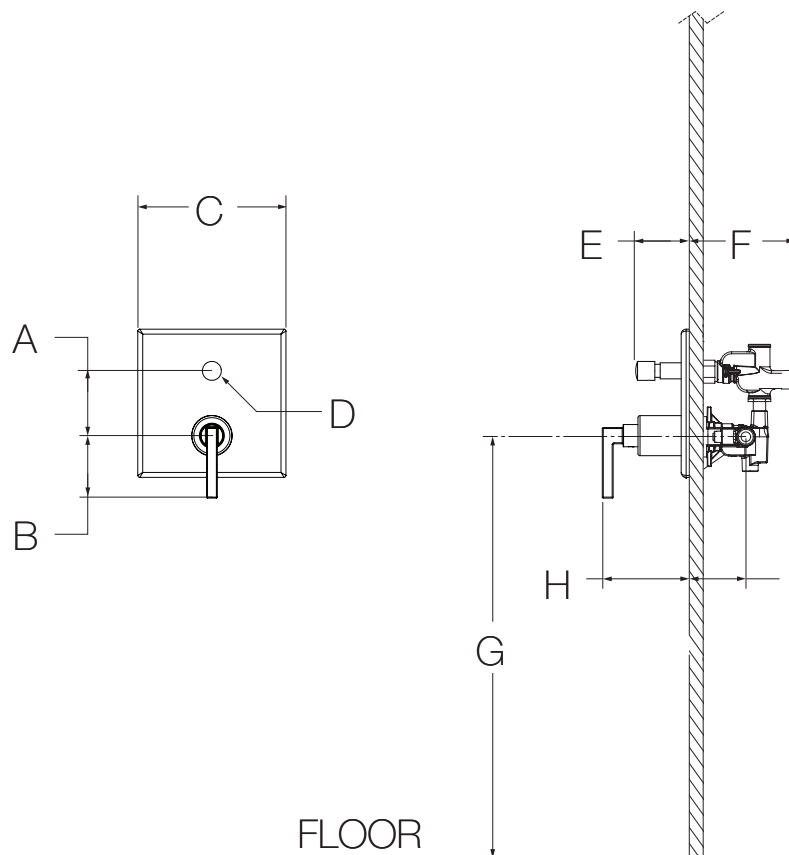
Tub/Shower with Push Button Diverter Trim

Installation Guide

Model Numbers	Specification
<ul style="list-style-type: none"> <input type="checkbox"/> 0376-00-OATL-TRM <i>Tub/Shower with Push Button Diverter Trim</i> <input type="checkbox"/> 6010E-BDY <i>Push Button Diverter Valve Body</i> 	<p>Tub/Shower with Push Button Diverter Trim (including push button diverter valve body) shall be made from metal construction, plated in standard polished chrome finish.</p>
<p>Warranty</p> <p>Limited Lifetime - to the original end purchaser in consumer/residential installations. 5 Years - for industrial/commercial installations. Refer to www.symmons.com/warranty for complete warranty information.</p>	



Dimensions

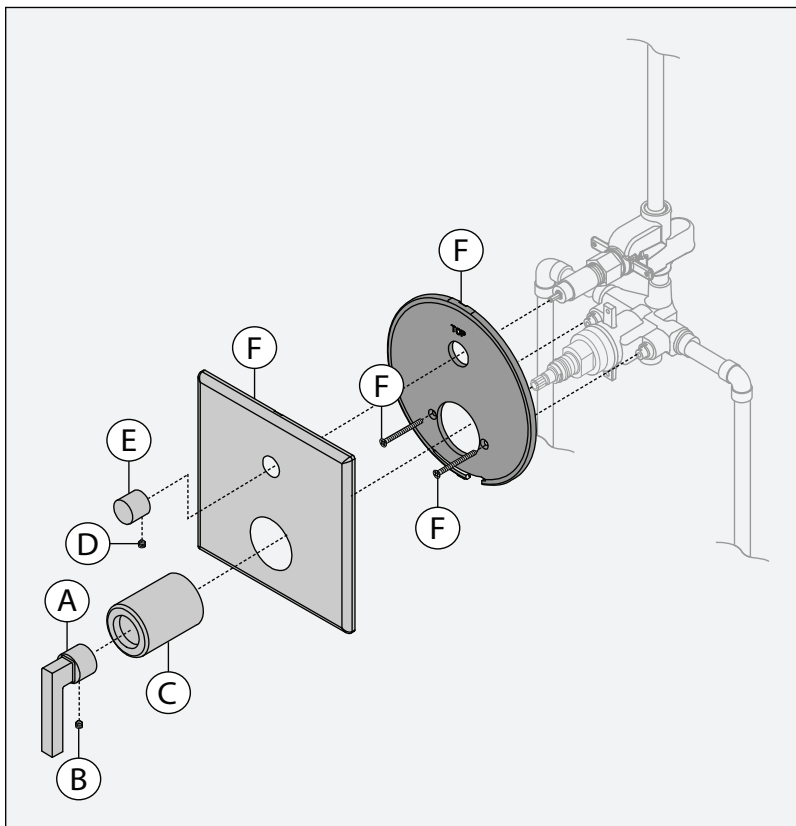



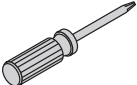
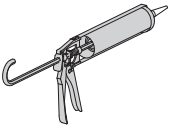
Measurements	
A	3-1/4", 83 mm
B	3-1/8", 79 mm
C	Sq. 7-1/2", 191 mm
D	Ø 15/16", 24 mm
E	2-5/8", 67 mm
F	4-3/4", 121 mm
G	Ref. 42", 1067 mm
H	4-3/8", 111 mm
I	Rough-in
	2-3/8" ± 1/2", 60 mm ± 13 mm

Notes:

- 1) All dimensions measured from nominal rough-in (see I as reference).
- 2) Dimensions subject to change without notice.

Parts Breakdown



Replacement Parts		
Item	Description	Part Number
A	Handle	T-617
B	Set Screw	T-617
C	Dome Cover	RTS-073
D	Set Screw	RTS-074
E	Push Button	RTS-074
F	Escutcheon	RTS-075
Tools Required for Installation		
Allen Wrench: Handle (3 mm) Button (1.5 mm)		
Phillips Head Screwdriver		
Silicone		

Notes:

- 1) Apply a bead of silicone around the perimeter of all shower trim installed flush to the finished wall (less mounting plates and brackets). Leave opening on bottom of escutcheon for weep hole.
- 2) Apply plumber tape to all threaded connections.

⚠ WARNING: This product can expose you to chemicals including lead, which is known to the state of California to cause cancer, birth defects, or other reproductive harm. For more information, go to www.P65Warnings.ca.gov.