

TOILET PAPER HOLDER
MODEL: 0113-TP, CD0113-3TP
INSTALLATION GUIDE

FEATURE HIGHLIGHTS

Toilet Paper Holder shall be metal and nonmetallic construction plated in standard polished chrome finish.

FINISH OPTIONS/MODIFICATIONS

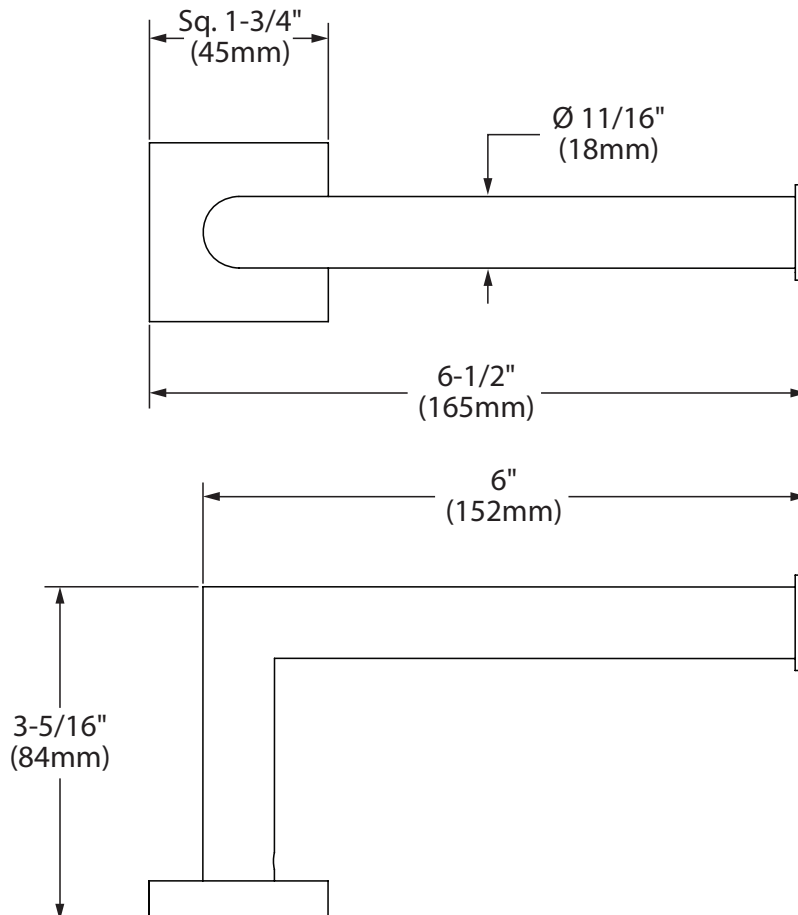
- BMB** Brushed Matte Brass finish (CD0113-3TP only)
- BSN** Brushed Bronze/Satin Nickel mixed finish (CD0113-3TP only)
- STN** Satin Nickel finish (CD0113-3TP only)

Note: Append appropriate -suffix to model number.

WARRANTY

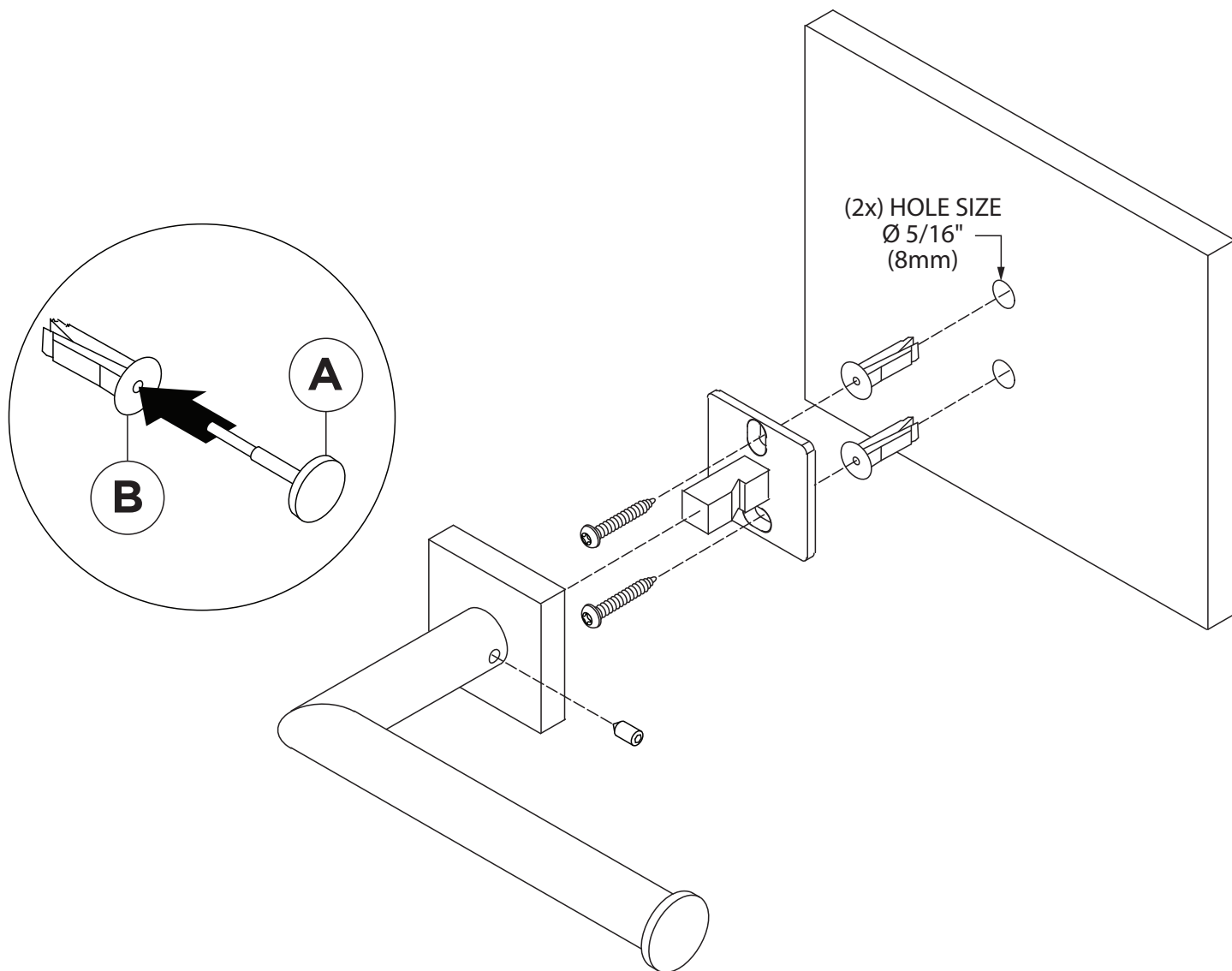
5 Years - for industrial/commercial installations.
Refer to symmons.com/warranty for complete warranty information.

DIMENSIONS





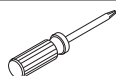
Note: Dimensions subject to change without notice.

INSTALLATION/PARTS BREAKDOWN



Installation Notes:

- 1) Plaster walls 1/2" thick or less, insert toggle tool (A) into toggle anchor (B) to secure behind wall prior to installing accessory.
- 2) Apply a bead of clear silicone around the perimeter of accessory installed to finished wall.

Tools Required	
Allen Wrench: Set Screw (2mm)	
Drill	
Phillips Head Screwdriver	
Silicone	