

# SCUPPER DRAIN

## 868 SERIES

### SPECIFICATION

Sioux Chief 868 Series cast iron scupper drains shall be used where necessary in drainage systems. Scupper drain shall have an angled or flush cast aluminum strainer, and aluminum flashing clamp. Strainer shall fasten to flashing clamp. Enamel-coated cast iron drain body shall have FIP thread connection for installation in horizontal (back) or vertical (bottom) position. Designed in accordance with ASME A112.6.4-2003

### MATERIALS

**Strainer:** cast aluminum

**Flashing clamp:** cast aluminum

**Drain body:** enamel-coated cast iron

### STRAINER FREE AREA

Size	3"	4"	6"
Angle Strainer	25 in <sup>2</sup>	25 in <sup>2</sup>	66 in <sup>2</sup>
Flush Strainer	20 in <sup>2</sup>	20 in <sup>2</sup>	54 in <sup>2</sup>

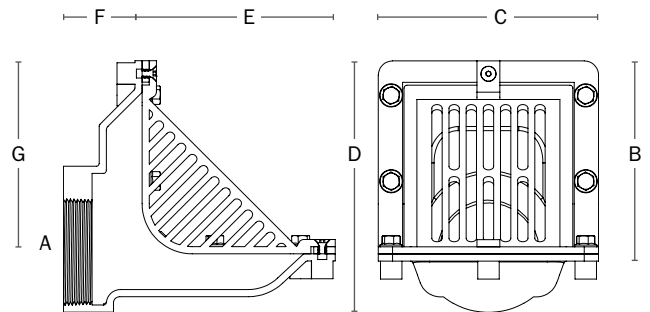
### DIMENSIONS

<b>A:</b> Connection (FIP thread)	3"	4"	6"
<b>B:</b> Upper height	7"	7"	9-7/8"
<b>C:</b> Width	7-3/4"	7-3/4"	12-5/8"
<b>D:</b> Overall height	8-3/4"	8-3/4"	11-5/8"
<b>E:</b> Front depth	7"	7"	9-7/8"
<b>F:</b> Rear depth	1-3/8"	1-3/8"	2-5/8"
<b>F:</b> Top-to-Outlet C/L	6-1/4"	6-1/4"	7-7/8"

ITEM # SUBMITTED	_____
JOB NAME	_____
LOCATION	_____
ENGINEER	_____
CONTRACTOR	_____
PO#	_____ TAG _____



868-S4A



### Create Item Number

## 868-AB

e.g. **868-S4A:** Cast iron scupper drain with 3" FIP connection and angled aluminum strainer

#### CONNECTION SIZE **A**

**S3** = 3" FIP Thread

**S4** = 4" FIP Thread

**S6** = 6" FIP Thread

#### STRAINER TYPE **B**

**A** = Angled strainer

**F** = Flush strainer