

# ADJUSTABLE ON-GRADE FLOOR DRAIN

» 832 SERIES

FinishLine™

## SPECIFICATION

Sioux Chief 832 series FinishLine™ adjustable floor drain shall be used where necessary in drainage systems. Floor drain shall allow adjustment before and AFTER the concrete pour. Strainer shall meet applicable load requirements for intended use. Trap primer port shall be threaded 1/2" FIP for optional connection. Designed in accordance with ASME A112.6.3-2001.

## MATERIALS

**Ring/strainer:** Nickel-bronze, stainless steel

**Coring Plug:** High-impact polymer

**Head Adapter/Coring Sleeve/Base Adapter:** Ductile iron

## STRAINER LOAD RATING

**Nickel-bronze:** 750 lbs. (Light duty)

**Stainless Steel:** 1,500 lbs. (Light duty)

## STRAINER FREE AREA

29.92 in<sup>2</sup>

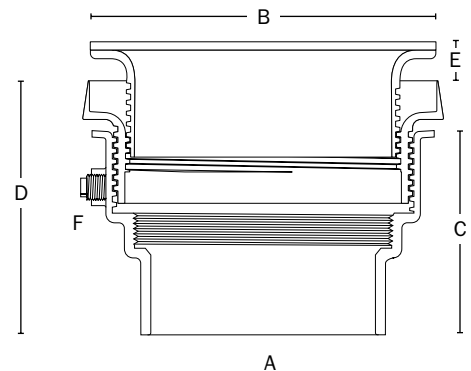
## DIMENSIONS

<b>A:</b> Connection	4", 6" No-Hub
<b>B:</b> Ring/strainer diameter	9"
<b>C:</b> Base adapter height	
4" connection	4 1/2"
6" connection	5 3/8"
<b>D:</b> Pre-pour height	
4" connection	5 3/8" – 6 7/8"
6" connection	6 1/4" – 7 3/4"
<b>E:</b> After-pour height	0" – 1 1/2"
<b>F:</b> Trap primer port	1/2" FIP thread, plugged

ITEM # SUBMITTED	_____
JOB NAME	_____
LOCATION	_____
ENGINEER	_____
CONTRACTOR	_____
PO#	_____ TAG _____



832-49DNR



### Create Item Number

## 832-ABC

e.g. 832-49DNRV: FinishLine™ floor drain with 4" No-Hub connection and vandal-resistant, nickel-bronze strainer

### CONNECTION A

49D = 4" No-Hub

6D = 6" No-Hub

### RING/COVER B

NR = Round nickel-bronze

SR = Round stainless steel

### INSTALLED OPTIONS C

V = Vandal-resistant strainer screws

### ACCESSORIES (ordered separately)

832-W = Flexible locating bristle kit

863-FN = Round nickel-bronze condensate funnel

863-FA = Round aluminum condensate funnel

863-FNO = Oval nickel-bronze condensate funnel