

FIRE-RATED SINGLE-VALVE OUTLET PLATE

» 699R SERIES

ProPlate™

SPECIFICATION

Sioux Chief 699R Series ProPlate™ Fire-Rated Single-Valve Outlet Plate shall be used where necessary in plumbing systems for accessible mounting of water supply. Corrosion-proof plate can secure directly to vertical stud or between studs. Install bracketing through integral track or affix plate through flange holes. Supply line can be installed from above or below. Plate shall be supplied with ¼-turn supply valve, having ¼" & ⅜" compression connection or ¾" male hose connection. Valve shall be replaceable with any common ⅝" compression valve. Outlet connections should generally be provided with a test/tamper-resistant cap. Plate allows debris cover to thread in for protection during rough-in. Valves shall be plated.

MATERIALS

Valve: No-lead brass¹

Valve Shank: No-lead brass¹/CPVC, 304SS grip ring

Plate: FR-ABS

Escutcheon: FR-ABS

Debris cover: Polyethylene

VALVE SAFE WORKING LIMITS

Max working temp: 200 °F

Max air/water testing & working pressure: 150 PSIG

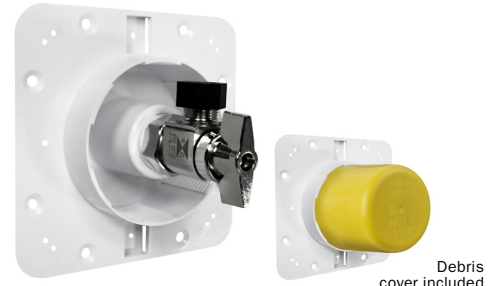
DIMENSIONS

A: Plate width/height	4½"
B: Plate to valve outlet	1⅞"
C: Plate to valve supply	1½"
D: Frame* ID	2½"
E: Frame* OD	4"

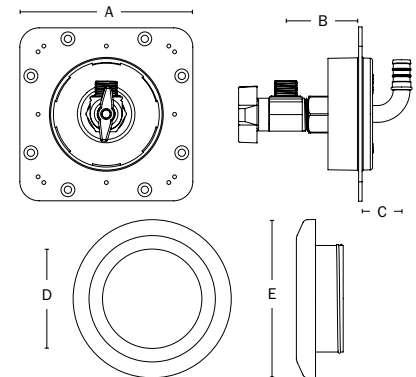
CERTIFICATIONS/APPROVALS

NSF-372 compliant, IAPMO listed
 Valves meet ASME A112.18.1
 Arresters* ASSE 1010 certified
 Listed by Intertek to meet:
 ASTM E-814 | UL1479 | CAN/ULC S115:
 1hr (F), 56min (T) for 1-hour design
 Design No: SCMC/PF 60-01
 2hrs (F), 2hrs (T) for 2-hour design
 Design No: SCMC/PF-120-1

ITEM # SUBMITTED	_____
JOB NAME	_____
LOCATION	_____
ENGINEER	_____
CONTRACTOR	_____
PO#	_____ TAG _____



699RA1-XR



Create Item Number

699RA-B

e.g. **699RA1-XR** Access plate with ⅜" outlet valve, ½" F1807 PEX inlet connection, debris cover and color clips included

VALVE OUTLET CONNECTION A

- A0** = ¼" Comp. thread - angle
- A1** = ⅜" Comp. thread - angle
- A3** = ¾" Male hose thread - angle

SUPPLY INLET CONNECTION B

- MR** = ½" MIP/F.SWT
- PR** = ½" Male sweat/press/push
- WR** = ½" PEX F1960 Grip™
- XR** = ½" PEX F1807/F2159 Crimp™
- CR** = ½" CPVC socket

Available separately:

- Fire-Rated white escutcheon: 699-F
- Fire-Rated chrome escutcheon: 699-FC

1 C69300 material is DZR and SCC resistant, compliant with NSF-61 & 372, and compliant with California No Lead Plumbing Law

FIRE-RATED SINGLE-VALVE OUTLET PLATE

DESIGN SPECIFICATION

1. WALL CONSTRUCTION

- a. Wood or metal stud construction
- b. 16" on-center stud construction.
- c. Double-layer 5/8" gypsum construction with 2-hour fire rating.
Single-layer 5/8" gypsum construction with 1-hour fire rating.
- d. Plates cannot be installed back to back.

Fire-Rated escutcheon available separately (Item No. 699-F)

2. PIPE/PLATE SUPPORT

- a. Maximum 2 plates installed in a 16" O.C. stud cavity secured to brackets when centered or direct mounted to stud.
- b. Common flat brackets.

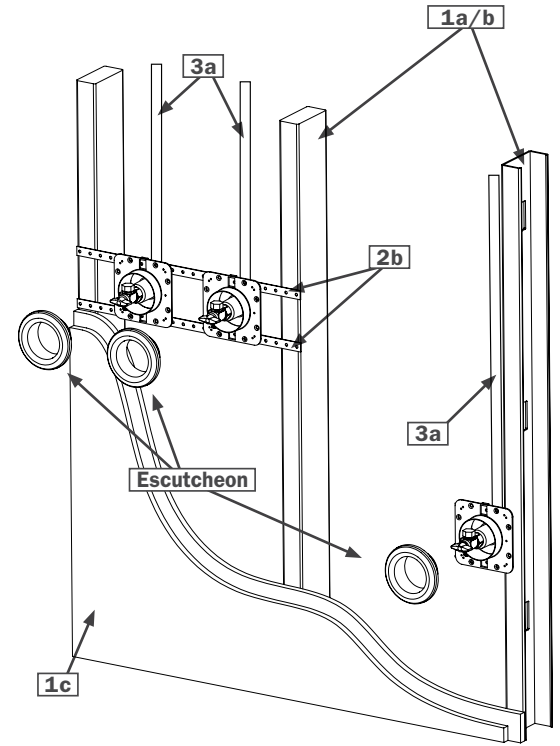
3. PIPE MATERIAL

- a. Metallic or plastic water supply pipe.
- b. Supply lines to be installed using ordinary methods.

4. FIRE-RATED RESINS

Sioux Chief fire-rated ProPlate uses fire-rated resin.
NOTE: Gaps up to 1/2" around plate can be sealed with drywall plaster.
Larger gaps require firestop sealant applied to opening spanning entire drywall depth

FIGURE 1
UL D. #U341



**THE FIRE-RATED PROPLATE IS CERTIFIED BY INTERTEK
TO THE FOLLOWING FIRE RATING STANDARDS:**



Intertek

Control No. 5006619
ASTM E814 • SC/PF 120
bpdirectory.intertek.com

**ASTM E-814 | UL1479
CAN/ULC S115**

1hr (F), 56min (T) for 1-hour design
Design No: SCMC/PF 60-01
2hrs (F), 2hrs (T) for 2-hour design
Design No: SCMC/PF-120-1

FINISH INSTALLATION

