

DUAL-VALVE SUPPLY ACCESS PANEL

698 SERIES

OmniPanel™

SPECIFICATION

Sioux Chief 698 Series OmniPanel™ access solution shall be used where necessary in plumbing systems for accessible mounting of water supply and drainage penetration. Panel shall be supplied with 1/4-turn supply valves, having 3/8" compression or 3/4" male hose connections. Arrester variations can be installed with arresters at any angle. Corrosion-proof access plate shall include a flexible, elastomer opening to provide a sealing penetration for drain pipe or DWV fitting hub. Plate allows for debris cover to snap in for protection during rough-in. Valves shall be plated and replaceable with any common 5/8" compression valve. Outlet connections should generally be provided with a test/tamper-resistant cap.

MATERIALS

- Valve:** No-lead brass¹
- Valve shank:** No-lead brass¹/copper/PPSU/CPVC, 304SS grip ring
- Panel:** GFPP with elastomer
- Frame²:** ABS
- Frame extension²:** ABS
- Bracket:** Galvanized steel (when included)
- Debris cover:** Polyethylene
- Arrester Body:** Stainless Steel, C69300 No-lead brass¹
- Arrester Piston:** GFPP with EPDM o-rings

INSTALLATION

Recommended that valves are set below elastomer to allow finish hose flex and connection in all wall thicknesses.

CERTIFICATIONS/APPROVALS

NSF-372 compliant, IAPMO listed panel and valves
Valves meet ASME A112.18.1; Arresters* ASSE 1010 certified

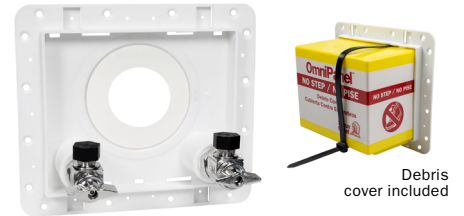
VALVE/ARRESTER WORKING LIMITS

- Max working temp:** 200 °F
- Max air/water testing & working pressure:** 150 PSIG

DIMENSIONS

- A:** Panel width 7 1/2"
- B:** Panel height 6 1/2"
- C:** Supply spacing C/L 4"
- D:** Panel to valve outlet 1 5/8"
- E:** Panel to valve supply 1 5/8"
- F:** Frame² width 7 1/4"
- G:** Frame² height 8 1/4"

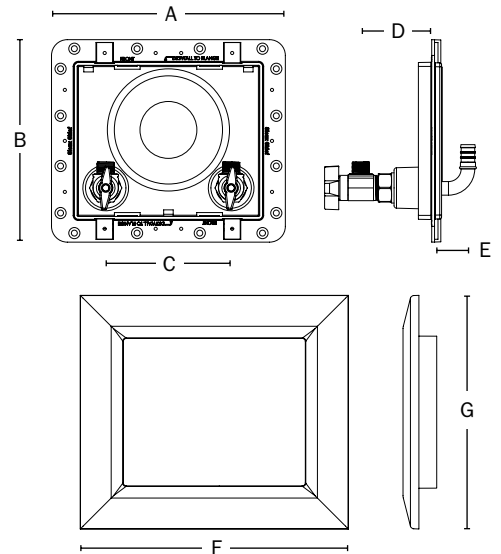
ITEM # SUBMITTED	_____
JOB NAME	_____
LOCATION	_____
ENGINEER	_____
CONTRACTOR	_____
PO#	_____ TAG _____



Debris cover included



698-A11-XR



Create Item Number

698-ABC

e.g. **698-A11-XR:** Supply access panel with two 3/8" valves, F1807 PEX connection, debris cover and color clips included

VALVE OUTLET CONNECTIONS A

- A11** = 3/8" Comp. thread - angle
- A33** = 3/4" Male hose - angle

ARRESTERS B

- = No arresters
- A** = With arresters*

SUPPLY INLET CONNECTION C

- CR** = 1/2" CPVC socket
- MR** = 1/2" MIP/F.SWT
- PR** = 1/2" M.SWT/press/push
- VR** = 1/2" PEX F3347 press sleeve
- WR** = 1/2" PEX F1960 Grip™
- XR** = 1/2" PEX F1807 Crimp™

Available separately:
Frame only: (698-F)
Frame Extension: (698-EX)

1 C69300 material is DZR and SCC resistant, compliant with NSF-61 & 372, and compliant with California No Lead Plumbing Law

2 Fire-Rated finish kit (698RF) available separately

3 Available in 3/8" valve outlet only