

BATH DRAIN - FULL KIT

» 973 SERIES

Ezy Touch®

SPECIFICATION

Sioux Chief 973 Series Ezy Touch® full kit bath drains shall be installed where necessary to provide accessible and replaceable tube and fittings to convey waste from bathtub fixtures to the drainage system. Kits shall include overflow elbow, drain elbow, sanitary tee, 1-1/2" Sch. 40 pipe (3pcs), drain spud with coarse (11.5 tpi) threads, stopper mechanism, faceplate, and all trim components. Designed in accordance with ASME A112.18.2.

MATERIALS

Fittings: ABS, PVC

Drain spud: Chrome-plated brass, polished-finish brass

Faceplate: Chrome-plated zinc, zinc with polished-brass finish

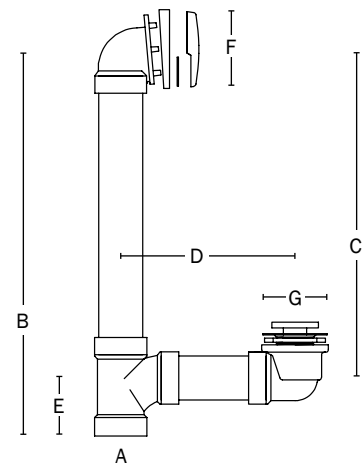
DIMENSIONS

| | |
|--|--------------------|
| A: Connection size | 1-1/2" Sch. 40 hub |
| B: Bottom to C/L of overflow elbow | 16-1/2" |
| C: C/L of overflow elbow to C/L of drain pipe | 14" |
| D: C/L of overflow pipe to C/L of drain | 7-1/2" |
| E: Bottom to C/L of drain pipe | 2-1/2" |
| F: Faceplate diameter | 3-1/8" |
| G: Drain spud flange diameter | 2-3/4" |

| | |
|------------------|-----------------|
| ITEM # SUBMITTED | _____ |
| JOB NAME | _____ |
| LOCATION | _____ |
| ENGINEER | _____ |
| CONTRACTOR | _____ |
| PO# | _____ TAG _____ |



973-6301C04



Create Item Number

973-A

e.g. **973-6301C04:** Ezy Touch bath drain full kit with PVC connection and chrome trim

DRAIN TYPE A

6301C04 = PVC connection with chrome trim

8301C01 = ABS connection with chrome trim

8301PB04 = ABS connection with polished brass trim