

# CAST IRON CLOSET FLANGE

## » 890 SERIES

### SPECIFICATION

Installed closet flanges shall be Sioux Chief 890 Series cast iron closet flange. Closet flange shall have three screw holes for securing to floor, and two closet bolt slots. Internal neoprene compression gasket shall create seal when lock-ring is tightened via three stainless steel bolts. Flange shall have an integral neoprene test cap and be UPC listed.

### MATERIALS

- Flange top:** cast iron
- Compression lock-ring:** cast iron
- Gasket/test cap:** neoprene
- Lock-ring bolts:** stainless steel

### INSTALLATION

Push flange over 4" cast iron DWV pipe. Fasten flange to floor using three screw holes. Tighten compression gasket with three hex-head bolts. After test, cut out test cap with utility knife.

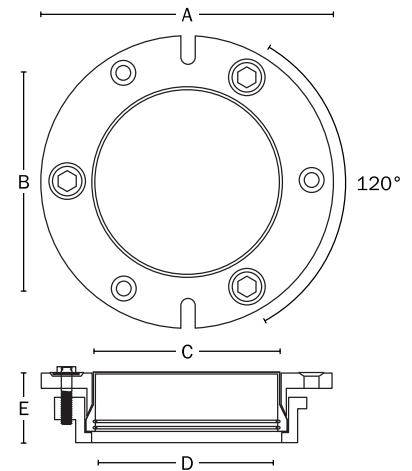
### DIMENSIONS

- A: overall diameter 7"
- B: screw centers 5"
- C: test cap diameter 4<sup>3</sup>/<sub>8</sub>"
- D: connection over 4" cast iron
- E: overall height 2"

ITEM # SUBMITTED	<u>890-i42</u>
JOB NAME	_____
LOCATION	_____
ENGINEER	_____
CONTRACTOR	_____
PO#	_____ TAG _____



890-i42



Item Number

**890-i42**