

GASKETED CLOSET FLANGE

» 887 SERIES

PushTite™

ITEM # SUBMITTED	_____
JOB NAME	_____
LOCATION	_____
ENGINEER	_____
CONTRACTOR	_____
PO#	_____ TAG _____

SPECIFICATION

Installed closet flanges shall be Sioux Chief 887 Series PushTite closet flange. Flange ring shall be full-swivel stainless steel, with sufficient holes for securing to floor and slots for inserting closet bolts. Flange outlet shall provide full/spherical flow for clog resistance. Engineered elastomer flange gasket shall seal inside 4" nominal Sch. 40 piping.

MATERIALS

Flange body: white or black ABS

Swivel ring: 430 stainless steel

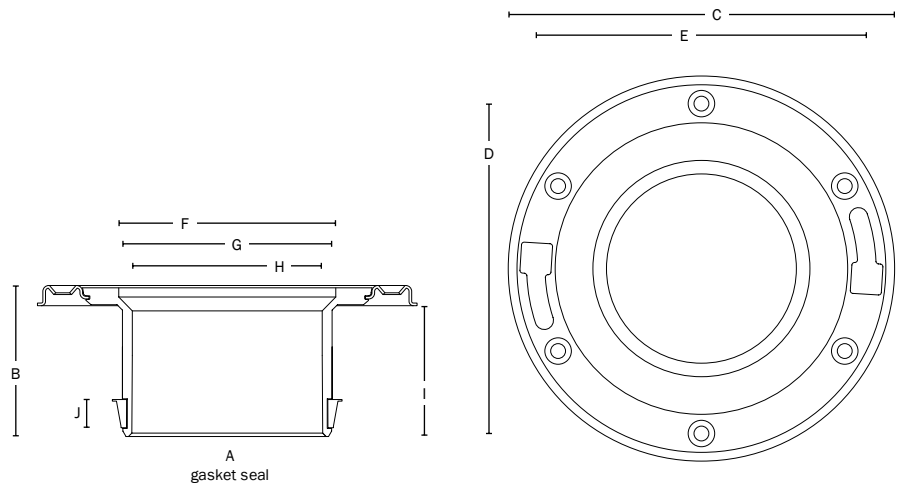
Gasket: engineered elastomer, chemical/heat resistant

DIMENSIONS

A: gasket seal	inside 4" Sch. 40 DWV
B: overall height	2 ⁷ / ₈ "
C: flange ring diameter	7 ¹ / ₁₆ "
D: screw centers	6 ¹ / ₈ "
E: closet bolt centers	6 ¹ / ₈ "
F: top flange opening	4"
G: flange outlet I.D.	3" Sch. 40 hub
H: flange outlet O.D.	3 ⁷ / ₈ "
I: flange tailpiece height	2 ⁷ / ₁₆ "
J: gasket height	⁹ / ₁₆ "



887-GPM



Create Item Number

887-A

e.g. **887-GPM**: White PushTite flange for PVC - inside 4" Sch. 40 DWV

CONFIGURATION A

GPM = white flange for PVC

GAM = black flange for ABS