

# STAINLESS STEEL DOWNSPOUT COVER

## 868 SERIES

### SPECIFICATION

Sioux Chief 868 Series stainless steel downspout cover shall be used where necessary in drainage systems. Cover shall have a wide mounting flange with holes for attachment to wall structure, and incorporate a hinged, perforated cover with single screw locking closure.

### MATERIALS

304 Stainless steel

### DIMENSIONS

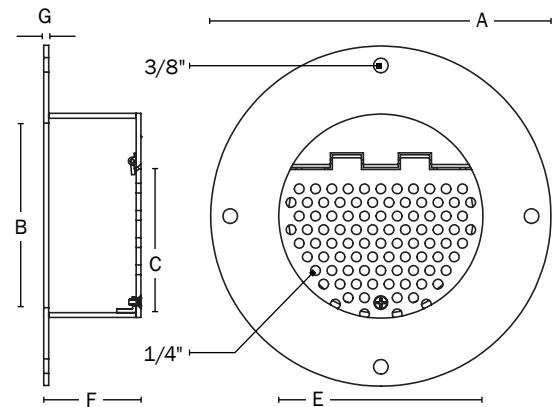
	-N3S	-N4S	-N6S	-N8S
<b>A:</b> Flange diameter	7-3/4"	8-3/4"	10-7/8"	12-7/8"
<b>B:</b> Inlet diameter	3-3/4"	4-3/4"	6-7/8"	8-7/8"
<b>C:</b> Outlet height	3"	4"	5-5/8"	7-3/8"
<b>D:</b> Free area <sup>1</sup>	1.91 in <sup>2</sup>	3.96 in <sup>2</sup>	8.52 in <sup>2</sup>	15.43 in <sup>2</sup>
<b>E:</b> Barrel OD	4-1/4"	5-1/4"	7-3/8"	9-3/8"
<b>F:</b> Depth	2-1/2"	2-1/2"	2-1/2"	2-1/2"
<b>G:</b> Thickness	1/8"	1/8"	1/8"	1/8"

1 Total open area of perforation

ITEM # SUBMITTED	_____
JOB NAME	_____
LOCATION	_____
ENGINEER	_____
CONTRACTOR	_____
PO#	_____ TAG _____



868-N4S



### Create Item Number

## 868-A

e.g. **868-N4S**: Hinged stainless steel downspout cover for 4" pipe

#### COVER SIZE A

- N3S** = Nozzle cover for 3" pipe
- N4S** = Nozzle cover for 4" pipe
- N6S** = Nozzle cover for 6" pipe
- N8S** = Nozzle cover for 8" pipe