

ROOF DRAIN WITH ADJUSTABLE WEIR

868 SERIES

SPECIFICATION

Sioux Chief 868 Series 15" diameter adjustable weir roof drain with No-Hub connection. Coated cast iron body with combination membrane flashing clamp/gravel guard and vandal-resistant, low profile dome strainer. Designed in accordance with ASME A112.6.4

Used on any type of flat roofs. Low profile dome prevents debris from entering the drain line. The anchor flange and membrane clamp provide a secure grip of membrane and roof flashing materials. Adjustable weir allows versatility for location and sizing

MATERIALS

Dome strainer: cast iron, ABS, aluminum

Internal Weir: cast iron

Gravel guard: cast iron

Drain body: cast iron

WEIR FLOW RATES

Weir Position	1 (20°)	2 (40°)	3 (60°)	4 (80°)	5 (100°)
Rainfall Depth: 1"	3 GPM	5 GPM	8 GPM	10 GPM	15 GPM
Rainfall Depth: 2"	5 GPM	10 GPM	15 GPM	20 GPM	30 GPM
Rainfall Depth: 3"	8 GPM	15 GPM	30 GPM	45 GPM	60 GPM

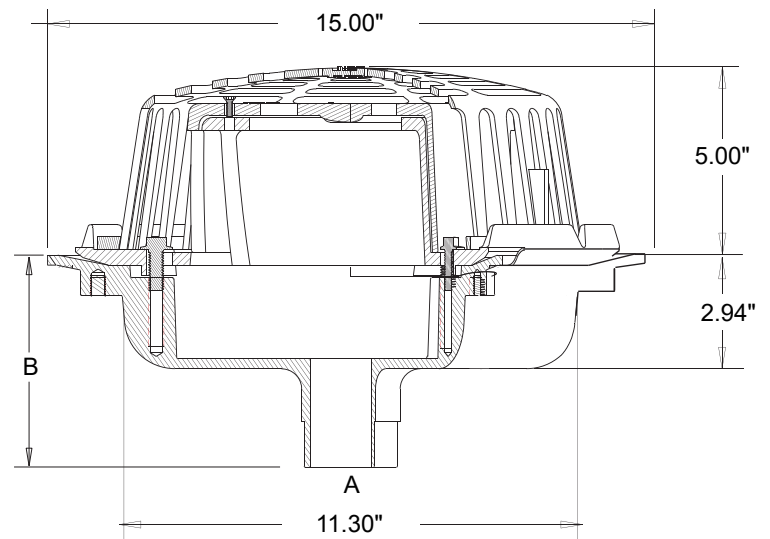
DIMENSIONS

A: Connection - No-Hub	3"	4"	6"
B: Body height	4.60"	4.60"	5.25"

STRAINER FREE-AREA

105.3 in²

ITEM # SUBMITTED	_____
JOB NAME	_____
LOCATION	_____
ENGINEER	_____
CONTRACTOR	_____
PO#	_____ TAG _____



Create Item Number

868-ABC

e.g. **868-F523BP**: Adjustable weir roof drain with 3" No-Hub connection, ABS dome, and top-mount sump receiver

CONNECTION A

F523 = 3" No-Hub
F524 = 4" No-Hub
F526 = 6" No-Hub

DOMESTRAINER B

Cast iron dome is standard
B = ABS dome
A = Aluminum dome

OPTIONS C

9 = Side-outlet connection¹
4 = 4" high SS perf. extension
S = Sump receiver
E = Adjustable extension
2 = 2" high SS perf. extension
P = Top-mount sump receiver²
C = Underdeck clamp kit
G = 2" high SS perf. gravel guard

¹ Not available for 6" roof drains

² Includes sump receiver plate and drain-to-plate attachment hardware