

ROOF DRAIN

» 868 SERIES

SPECIFICATION

Sioux Chief 868 Series 8" diameter roof drain with No-Hub connection. Coated cast iron body with combination membrane flashing clamp/gravel guard and vandal-resistant dome strainer. Designed in accordance with ASME A112.6.4

Used on any type of flat roof. Dome prevents debris from entering the drain line. The anchor flange and membrane clamp provide a secure grip of membrane and roof flashing materials.

MATERIALS

Dome strainer: aluminum

Gravel guard: cast iron

Drain body: cast iron

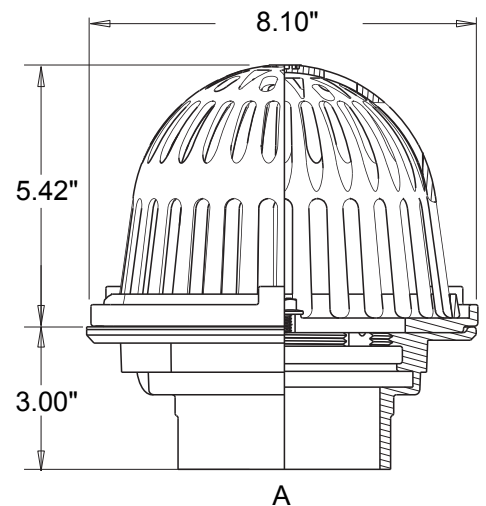
DIMENSIONS

A: Connection - No-Hub 2" 3" 4"

STRAINER FREE-AREA

38.9 in²

ITEM # SUBMITTED	_____
JOB NAME	_____
LOCATION	_____
ENGINEER	_____
CONTRACTOR	_____
PO#	_____
TAG	_____



Create Item Number

868-AB

e.g. **868-823SC**: Roof drain with 3" No-Hub connection, sump receiver and underdeck clamp kit

CONNECTION A

822 = 2" No-Hub

823 = 3" No-Hub

824 = 4" No-Hub

OPTIONS B

9 = Side-outlet connection

S = Sump receiver

C = Underdeck clamp kit

W = 2" high internal water dam