

MAIN ROOF DRAIN

» 868 SERIES

SPECIFICATION

Sioux Chief 868 Series 15" diameter roof drain with No-Hub connection. Coated cast iron body with combination membrane flashing clamp/gravel guard and vandal-resistant, low profile dome strainer. Designed in accordance with ASME A112.6.4

Used on any type of flat roofs. Low profile dome prevents debris from entering the drain line. The anchor flange and membrane clamp provide a secure grip of membrane and roof flashing materials.

MATERIALS

Dome strainer: cast iron, ABS, aluminum

Gravel guard: cast iron

Drain body: cast iron

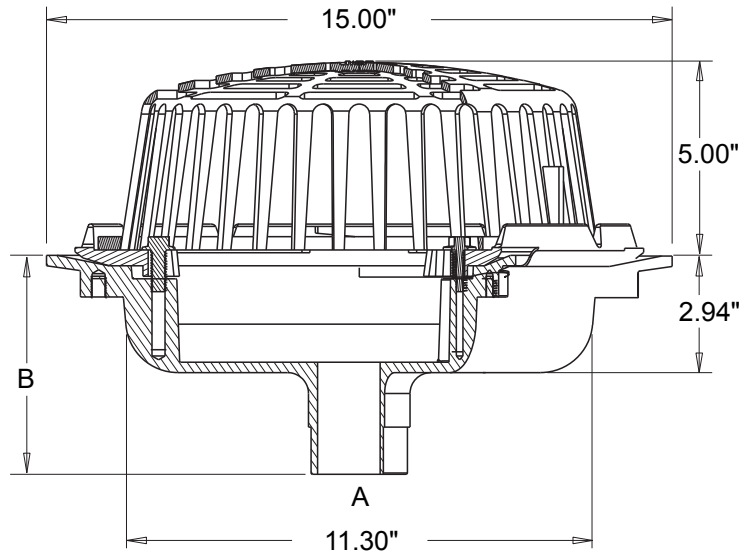
DIMENSIONS

A: Connection - No-Hub	3"	4"	6"	8"
B: Body height	4.60"	4.60"	5.25"	5.25"

STRAINER FREE-AREA

105.3 in²

ITEM # SUBMITTED	_____
JOB NAME	_____
LOCATION	_____
ENGINEER	_____
CONTRACTOR	_____
PO#	_____ TAG _____



Create Item Number

868-ABC

e.g. **868-523BSC:** Roof drain with 3" No-Hub connection, ABS dome, sump receiver and under-deck clamp kit

CONNECTION A

- 523 = 3" No-Hub
- 524 = 4" No-Hub
- 526 = 6" No-Hub
- 528 = 8" No-Hub

DOMESTRAINER B

- Cast iron dome is standard
- B = ABS dome
- A = Aluminum dome

OPTIONS C

- 9 = Side-outlet connection¹
- 4 = 4" high SS perf. extension
- S = Sump receiver
- E = Adjustable extension
- H = 4" high internal water dam²
- D = 6" high SS perf. dome cover with removable top
- 2 = 2" high SS perf. extension
- P = Top-mount sump receiver³
- C = Under-deck clamp kit
- G = 2" high SS perf. gravel guard
- W = 2" high external water dam

¹ Not available for 6" or 8" roof drains | ² Internal water dam can be cut/shortened by contractor as needed or per specifications | ³ Includes sump receiver plate and drain-to-plate attachment hardware