

ROOF DRAIN

» 868 SERIES

SPECIFICATION

Sioux Chief 868 Series 10" diameter roof drain with No-Hub connection. Coated cast iron body with combination membrane flashing clamp/gravel guard and vandal-resistant, cast iron dome strainer. Designed in accordance with ASME A112.6.4

Used on any type of flat roofs. Cast iron dome prevents debris from entering the drain line. The anchor flange and membrane clamp provide a secure grip of membrane and roof flashing materials.

MATERIALS

Dome strainer: cast iron
Gravel guard: cast iron
Drain body: cast iron

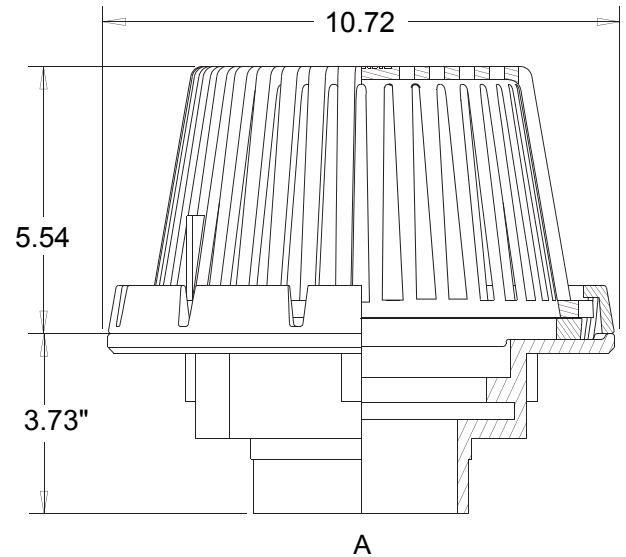
DIMENSIONS

A: Connection - No-Hub 3" 4"

STRAINER FREE-AREA

77.2 in²

ITEM # SUBMITTED	_____
JOB NAME	_____
LOCATION	_____
ENGINEER	_____
CONTRACTOR	_____
PO#	_____ TAG _____



Create Item Number

868-AB

e.g. **868-123P:** Roof drain with 3" No-Hub connection and top-mount sump receiver

CONNECTION A

123 = 3" No-Hub
124 = 4" No-Hub

OPTIONS B

P = Top-mount sump receiver¹
S = Sump receiver
C = Underdeck clamp kit
W = 2" high internal water dam

¹ Includes sump receiver plate and drain-to-plate attachment hardware