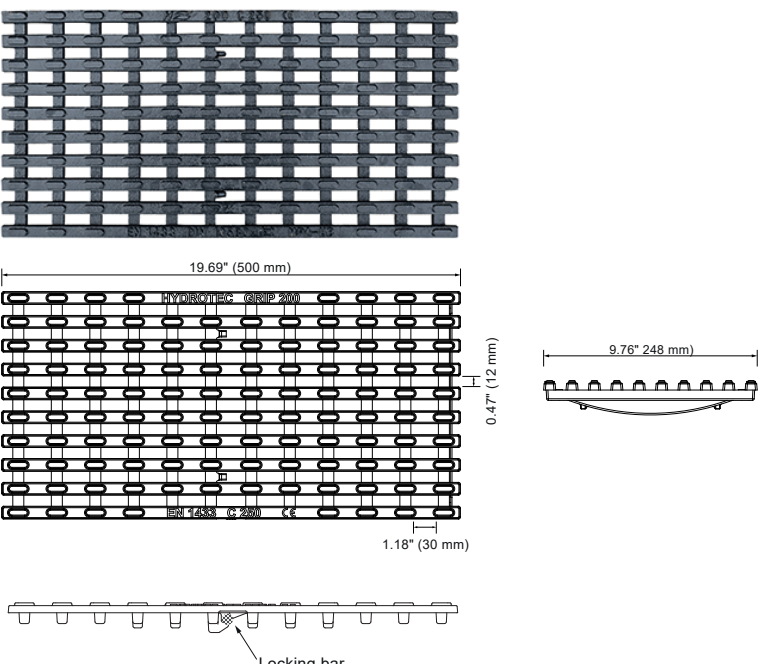
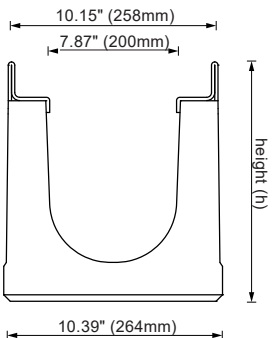



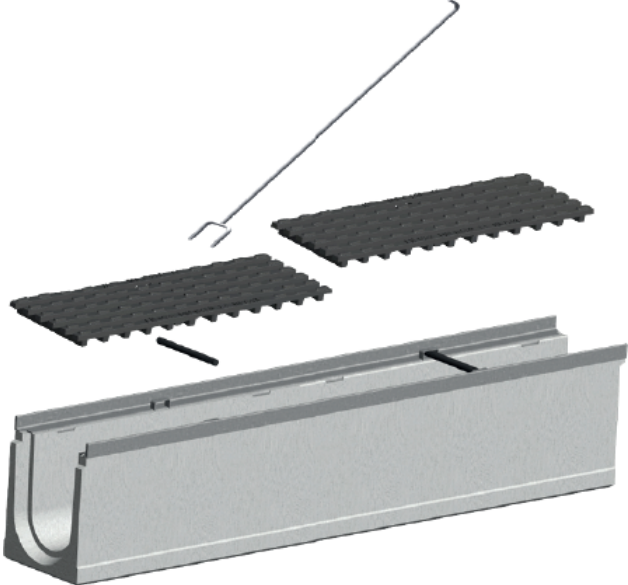
Top 200 System Ductile Grate / C250 / ADA "Grip"

<p>Product Specifications</p> <p>Part. No.: 865-T8DI5CL</p> <p>Load Class: C250 (55,100 lbs) according EN 1433 Certified by MPA-HB (independent laboratories)</p> <p>Material: Ductile Iron GJS-500-7 (ASTM A536 70-50-05)</p> <p>Locking: Patented boltless grate locking system</p> <p>Surface: GRIP design (0.47" x 1.18") Slots according ADA Standards</p> <p>Weight: 17.6 lbs (8.0 kg)</p> <p>Water intake: 118.7 in² (766cm²) per meter</p> <p>Use: This grate is designed for use with HydroTec Top 200 channels made of fiber reinforced concrete with a galvanized steel edge protection.</p>	
--	---

Fiber Reinforced Concrete Channel

<p>Available heights(h):</p> <p>- 12.20" (310mm)</p> 	
---	--

System Specifications

<p>Grate Locking Tool (Part No. 865-TOOL): The Grate Locking Tool is made of galvanized steel. It's used to lock and unlock the grate.</p> <p>Grate: The grate is made of ductile iron and certified to EN 1433 Load Class C250.</p> <p>Locking Bar (Part No. 865-8LR): Two locking bars fix the grate to the channel body. They're unlocked by the Grate Locking Tool .</p> <p>TOP 200 Channel: The channel body is made of fiber reinforced concrete with a galvanized steel edge protection. Connecting profiles at the end of the channel guarantee an easy and fast installation.</p>	
--	--