

Maxi 300 System Ductile Grate / F900 / ADA

Product Specifications

Part. No.
865-M12PN00FA

Load Class:

F900 (198,000 lbs) according EN 1433 Certified by MPA-HB (independent laboratories)

Material:

Ductile Iron GJS-500-7 (ASTM A536 70-50-05)

Locking:

F1 Locking system with traffic-safe screws

Surface:

Longitudinal slot design (0.47" x 1.02") ensures high water intake. Slots according ADA Standards

Weight:

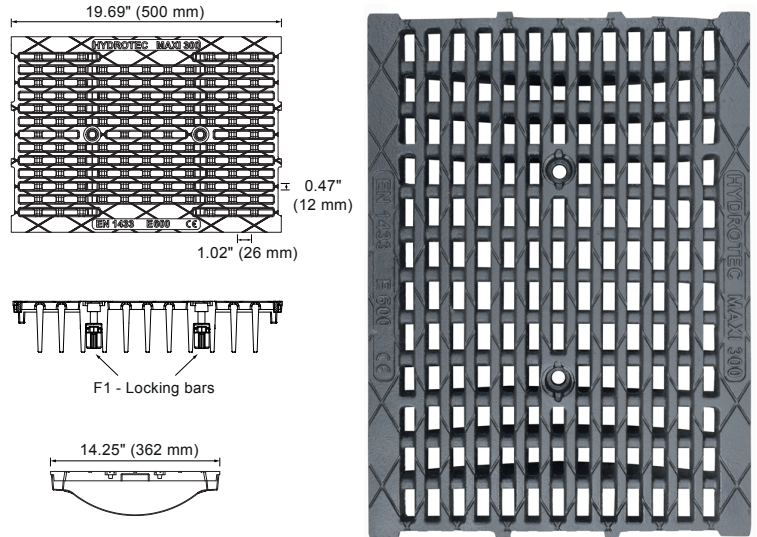
63.93 lbs (29.0 kg)

Water intake:

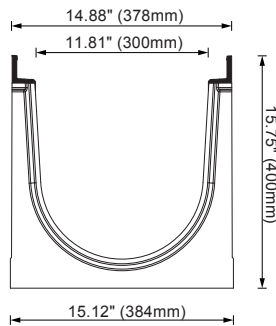
140.0 in² (903.2 cm²) per meter

Use:

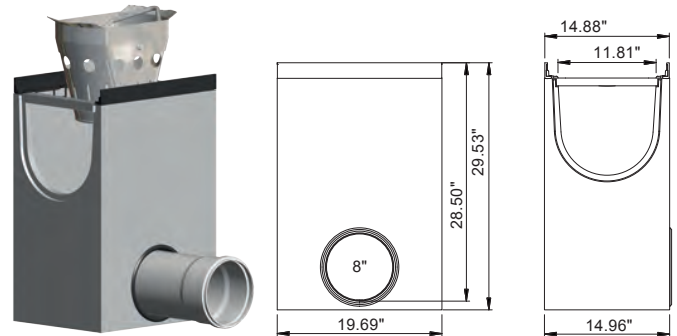
This grate is designed for use with HydroTec Maxi 300 channels made of fiber reinforced concrete with a ductile iron edge protection.



Fiber Reinforced Concrete Channel



Fiber Reinforced Concrete Catch Basin



System Specifications

Grate:

The grate is made of ductile iron and certified to EN 1433 Load Class F900.

F1-Locking System:

The F1-Locking system is locked by 4 screws per meter, that can be opened by using a 1/2" multi-tooth nut. The screws fix the grate to the channel body by using the F1-Locking bars.

Maxi 300 Channel:

The channel body is made of fiber reinforced concrete with a ductile iron edge protection w/PE rail insert to eliminate grate rattle. Connecting profiles at the end of the channel guarantee an easy and fast installation.

