

Maxi 300 System Ductile Grate / E600 / ADA

Product Specifications

Part No.

865-M12PN00EA

Load Class:

E600 (132,000 lbs) according EN 1433
 Certified by MPA-HB (independent laboratories)

Material:

Ductile Iron GJS-500-7
 (ASTM A536 70-50-05)

Locking:

F1 Locking system
 with traffic-safe screws

Surface:

Longitudinal slot design (0.47" x 1.02") ensures
 high water intake. Slots according ADA Standards

Weight:

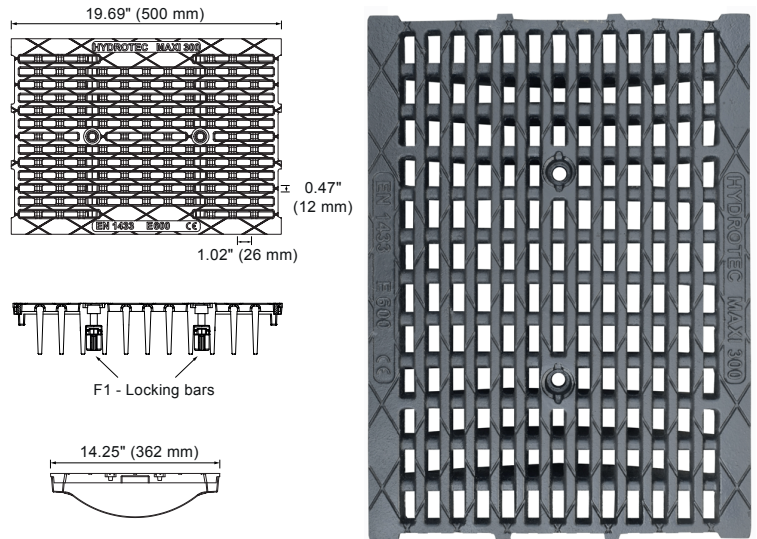
52.91 lbs (24.0 kg)

Water intake:

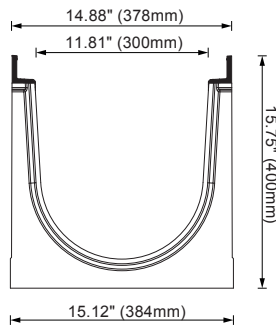
140.0 in² (903.2 cm²) per meter

Use:

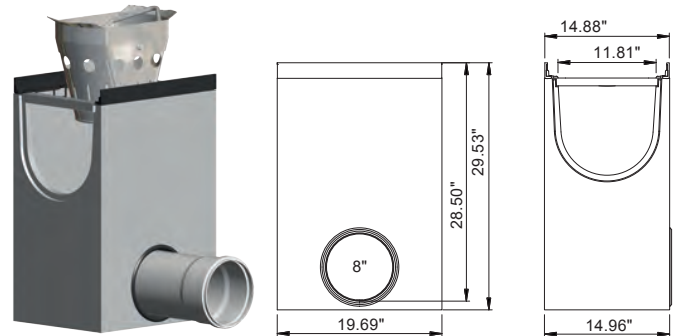
This grate is designed for use with HydroTec
 Maxi 300 channels made of fiber reinforced
 concrete with a ductile iron edge protection.



Fiber Reinforced Concrete Channel



Fiber Reinforced Concrete Catch Basin



System Specifications

Grate:

The grate is made of ductile iron and certified to
 EN 1433 Load Class E600.

F1-Locking System:

The F1-Locking system is locked by 4 screws per meter,
 that can be opened by using a 1/2" multi-tooth nut. The
 screws fix the grate to the channel body by using the
 F1-Locking bars.

MAXI 300 Channel:

The channel body is made of fiber reinforced concrete
 with a ductile iron edge protection w/PE rail insert to
 eliminate grate rattle. Connecting profiles at the end of
 the channel guarantee an easy and fast installation.

