

## Maxi 150 System Ductile Grate / D400 / ADA

### Product Specifications

**Load Class:**  
D400 (88,000 lbs) per EN 1433 (HS20/HS25 Rated)  
Certified by MPA-HB (independent laboratories)

**Material:**  
Ductile Iron GJS-500-7  
(ASTM A536 70-50-05)

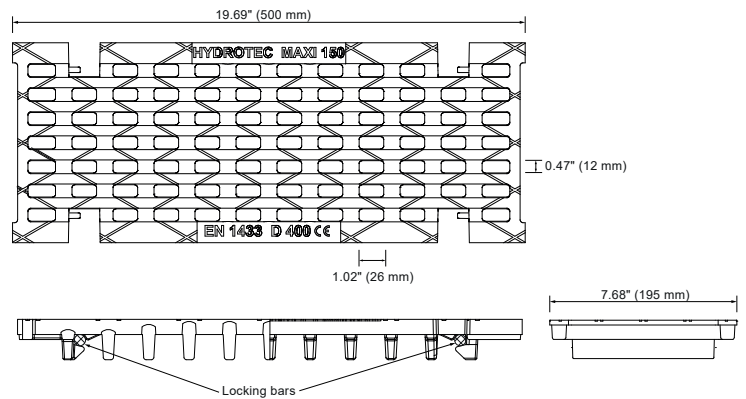
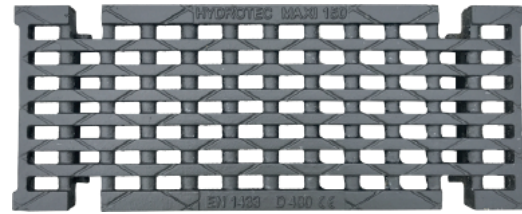
**Locking:**  
Patented boltless  
grate locking system

**Surface:**  
Longitudinal slot design (0.47" x 1.02") ensures  
high water intake. Slots according ADA Standards

**Weight:**  
16.98 lbs (7.7kg)

**Water intake:**  
114.08 in<sup>2</sup> (736cm<sup>2</sup>) per meter

**Use:**  
This grate is designed for use with HydroTec  
Maxi 150 channels made of fiber reinforced  
concrete with a ductile iron edge protection.

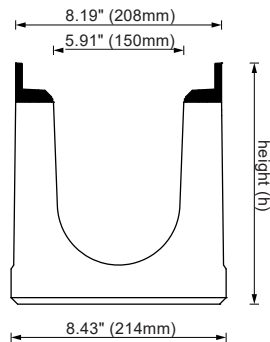


### Fiber Reinforced Concrete Channel

**Available heights(h):**

- 8.27" (210mm)
- 10.24" (260mm)
- 12.20" (310mm)

- pre-sloped  
(10 sections)



### System Specifications

**Grate Locking Tool (Part No. 865-TOOL):**  
The Grate Locking Tool is made of galvanized steel.  
It's used to lock and unlock the grate.

**Grate:**  
The grate is made of ductile iron and certified to  
EN 1433 Load Class D400.

**Locking Bar (Part No. 865-6LR):**  
Two locking bars fix the grate to the channel body.  
They're unlocked by the Grate Locking Tool .

**MAXI 150 Channel:**  
The channel body is made of fiber reinforced concrete  
with a ductile iron edge protection. Connecting profiles  
at the end of the channel guarantee an easy and fast  
installation.

