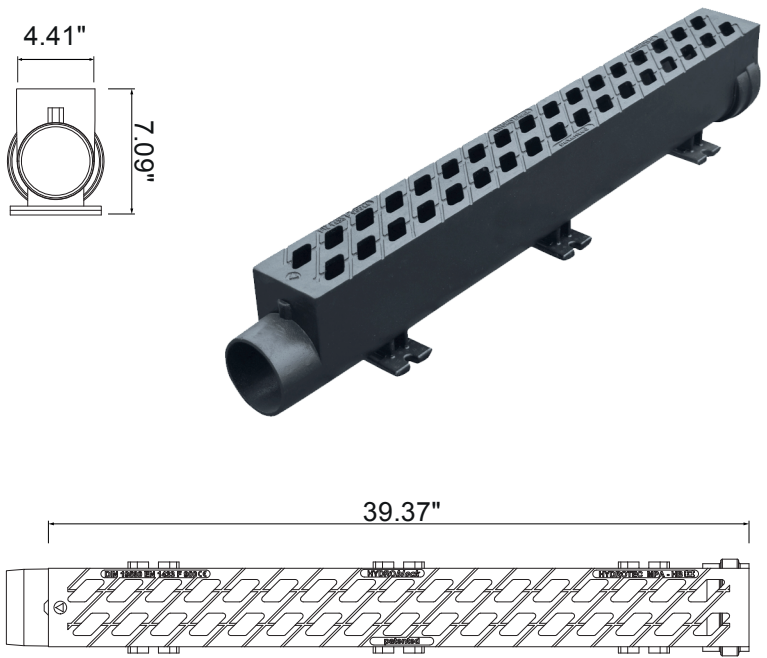


HydroBlock 100 System Ductile Iron Channel/Grate / F900

<p>Product Specifications</p> <p>Part No.: 865-HB400FA</p> <p>Load Class: F900 (198,000 lbs) according EN 1433 Certified by MPA-HB (independent laboratories)</p> <p>Material: Ductile Iron GJS-500-7 (ASTM A536 70-50-05)</p> <p>Water Intake: 52.24 sq/in (337 cm²)</p> <p>Locking: One piece trench drain with no loose parts. Outlet sections are locked by 4 stainless steel screws.</p> <p>Use: This channel is developed to be installed in areas with high dynamic forces. HydroBlock is qualified as "Type I" according EN 1433.</p>	
---	---

Outlet Sections

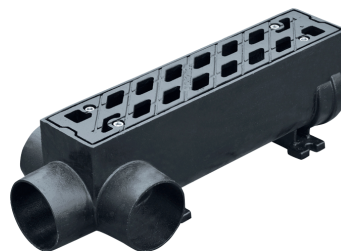
Bottom Outlet
Part No.: 865-HB4005BFA



Left/Right Side Outlet
Part No.: 865-HB4005SFA



Left/Right/End Outlet
Part No.: 865-HB4005HSFA



Catch Basin
Part No.: 865-HB4CBFA



System Specifications

HydroBlock 100:

The channel section is made of ductile iron and certified to EN 1433 Load Class F900 and is qualified as TYPE I. The gasket connection ensures a fast, watertight installation.

Catch Basin (865-HB4CBFA):

The catch basin is one of 4 available outlet sections and contains a galvanized steel debris screen. It is connected to the ground pipe by a 4" or 6" pipe.

Outlet Sections:

Outlet section length is 19.69" (1/2 m). Outlets are recommended at least every 75ft as inspection points to the channel run.

