

INLINE CATCH BASIN

▶▶ 865 SERIES

FastTrack™

SPECIFICATION

Sioux Chief 865 series FastTrack inline catch basin shall be used where necessary in drainage systems. Catch basin shall include construction cover (1), stainless steel grate anchors (3), and side anchors (4) for securing basin to re-bar (½" #4). Catch basin shall be designed to receive inflow from one or both ends and connect to any FastTrack channel section with mechanical, tongue-in-groove style joints. Catch basin outlet shall be sized to receive adapters (available separately) for connection to drainage system. Galvanized steel debris basket (optional) shall be available as required to prevent trash and large debris from entering drain line. Designed in accordance with ASME A112.6.3-01

MATERIALS

Basin body: High-density polyethylene

Construction cover: High-density polyethylene

Grate anchors: Stainless steel

Debris basket: Galvanized steel

INSTALLATION

Using re-bar and/or concrete pad, set catch basin in place first, and work upstream. Using the 'guide label', cut opening in the end of the basin to line up with the FastTrack channel section to be connected. Connect the downstream side of channel to end of catch basin, pushing down into grooves to lock in place. Sealant may be used in the joint if desired. Attached outlet adapter to basin opening (align with notches, turn to lock in place). To service debris basket, remove grate and using hammer, pop the (3) stainless steel anchors out. Lift to remove basket, empty and replace. Reinstall anchors using hammer. Anchors can be re-set with screws if desired.

Always wear proper protective gear and follow local plumbing/building codes.

DIMENSIONS

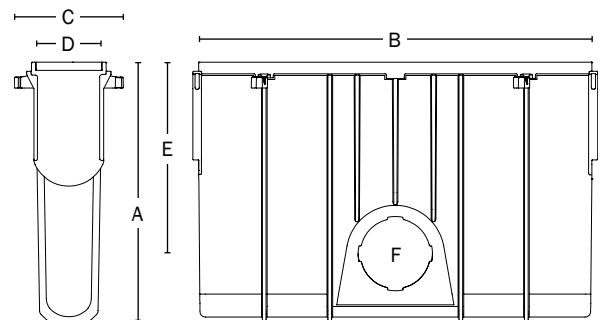
A: Overall height	23-3/4"
B: Channel length	36"
C: Overall width	10"
D: Channel width	6"
E: Grade to outlet (center)	17-1/2"
F: Outlet opening	for outlet adapters ¹

¹ 865-CB4 / 865-CB6 available separately - see below

ITEM # SUBMITTED	_____
JOB NAME	_____
LOCATION	_____
ENGINEER	_____
CONTRACTOR	_____
PO#	_____ TAG _____



865-FCB



Create Item Number

865-A

e.g. **865-FCB:** FastTrack inline catch basin with debris basket and construction cover

CONNECTION TYPE A

FC = Catch basin with construction cover

FCB = Catch basin with debris basket and construction cover

Accessories - Available Separately:

865-CB4: Outlet adapter for 4" pipe²

865-CB6: Outlet adapter for 6" pipe³

865-EG: Stainless steel edge guards- 36" (pair)

865-F: Ductile iron grate frame - 36"

865-FB: Galvanized steel debris basket⁴

²: Fits 3" and 4" Sch. 40 and 4" SDR35 pipe (snaps over most 4" corrugated pipe) | ³: Fits 6" SDR35 pipe (snaps over most 6" corrugated pipe) | ⁴: Standard with 865-FCB