

DEBRIS SCREEN FOR TRENCH DRAIN OUTLET

» 865 SERIES

FastTrack™

SPECIFICATION

Sioux Chief 865 Series stainless steel debris screen shall be used where necessary with FastTrack trench drain channels. Debris screen shall be corrosion-resistant and prevent large debris from entering the drainage system. Debris screen shall be removable/replaceable for easy cleaning.

MATERIALS

304 Stainless steel

INSTALLATION



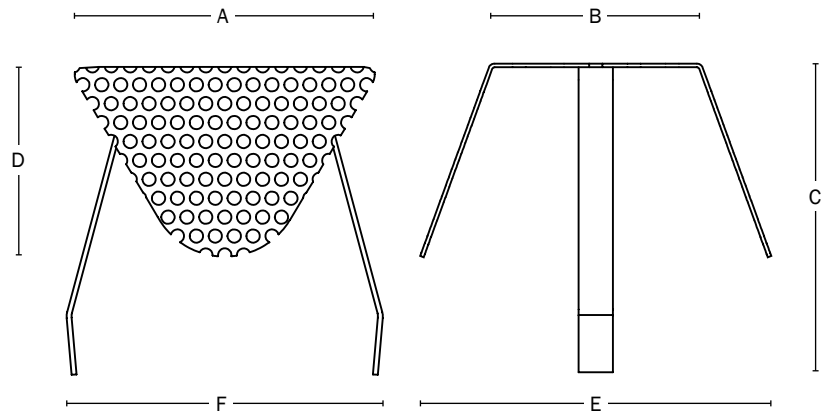
Debris screen fits into opened bottom outlet of all channels. Align with channel contour and push into place. Easily removed/replaced for cleaning.

ITEM # SUBMITTED	_____
JOB NAME	_____
LOCATION	_____
ENGINEER	_____
CONTRACTOR	_____
PO#	_____ TAG _____



DIMENSIONS

A: Screen width size	4.43" (sized for channel ID)
B: Screen top depth	2.94"
C: Screen height	2.83"
D: Overall height	4.50"
E: Screen depth	5.12"
F: Leg width	4.46" (tension-fit in ID of bottom outlet)



Create Item Number

865-D

Stainless steel debris screen for bottom outlet