

LARGE-CAPACITY FLOOR DRAIN

» 860 SERIES

FatMax™

SPECIFICATION

Sioux Chief 860 Series Large-Capacity floor drain with round top. Includes coated cast iron drain body with plugged 1/2" NPT trap primer port, clamping collar, and vandal-resistant grate.

Used in warehouses, mechanical rooms, parking garages, and other areas. Designed in accordance with ASME A112.6.3

GRATE FREE AREA

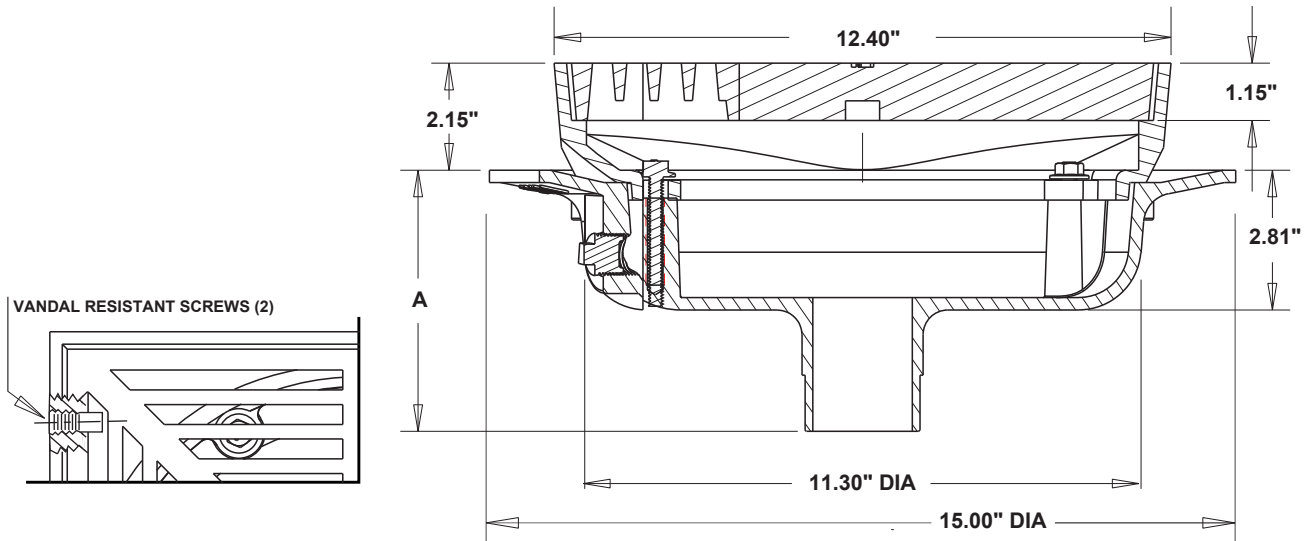
54.2 in²

GRATE LOAD RATING

Heavy-Duty - standard (for safe load between 5,000 - 7,500 lbs.)
Extra Heavy-Duty - optional (for safe load between 7,500 - 10,000 lbs.)

DIMENSIONS

A: Drain body height	No-Hub	Push-Joint
2" Connection	5.25"	4.60"
3" Connection	4.60"	4.60"
4" Connection	4.60"	4.60"
6" Connection	5.25"	5.45"
8" Connection	5.25"	N/A



Create Item Number

860-ABC D

e.g. **860-Q224INB**: Heavy-duty floor drain with 4" No-Hub connection, debris bucket and square cast iron strainer with NB veneer

CONNECTION TYPE A

Q22 = No-Hub
Q26 = Push-Joint¹

CONNECTION SIZE B

2 = 2" connection
3 = 3" connection
4 = 4" connection
6 = 6" connection
8 = 8" connection

GRATE TYPE C

I = Cast iron grate
IN = Cast iron grate with nickel-bronze veneer

OPTIONS D

9 = Side-outlet connection³
A = Acid-resistant epoxy coated
B = Debris bucket²
E = Adjustable extension
H = Hinged grate⁴
X = Extra heavy-duty grate (7,500 - 10,000 lbs.)

1: Not available for 8" connection | 2: Not available for drains with Adjustable Extension | 3: For 2" - 4" No-Hub connection only | 4: Not available with NB veneer