

ADJUSTABLE FLOOR CLEANOUT

» 854 SERIES

SPECIFICATION

Sioux Chief 854 Series coated cast iron adjustable floor cleanout with round or square vandal resistant secured cover and threaded plug.
Designed in accordance with ASME A112.36.2M

General purpose floor cleanout for use in finished or unfinished areas where access to DWV system is required for service/maintenance.

MATERIALS

Cleanout body: cast iron

Plug: ABS (standard), brass (optional)

Head/cover: ductile iron, nickel-bronze, stainless steel

DIMENSIONS

A: Connection size	2"	3"	4"	6"	8"
B: Top diameter/width					
Iron / NB / SS	5.25"		8.25"		9.25"
Iron with veneer	5.63"		8.75"		9.75"
C: Body height	5.7"		6.3"		
D: Overall height ¹					
Iron / NB / SS	5.63" - 7.63"		7.63" - 9.63"		
Iron with veneer	5.81" - 7.81"		7.81" - 9.81"		
E: Body diameter	6.2"		8.6"		
F: Plug/thread	2"	3"	3.5"	6"	7"

LOAD RATING

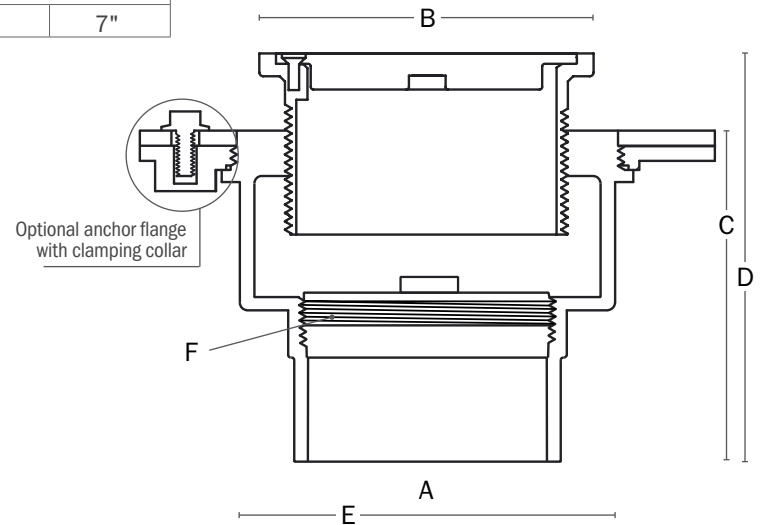
Ductile iron*: Extra heavy-duty (7,500 - 10,000 lbs).

Nickel-bronze: Medium-duty (2,500 - 5,000 lbs).

Stainless steel: Medium-duty (2,500 - 5,000 lbs).

* with or without veneer

ITEM # SUBMITTED	_____
JOB NAME	_____
LOCATION	_____
ENGINEER	_____
CONTRACTOR	_____
PO#	_____ TAG _____



Create Item Number

854-ABCD

e.g. **854-24NQC:** Cast iron cleanout - 4" No-Hub connection, round NB head/cover with flange and collar

CONNECTION TYPE A

- 2 = No-Hub outlet
- 6 = Push-Joint outlet

CONNECTION SIZE B

- 2 = 2"
- 3 = 3"
- 4 = 4"
- 6 = 6"
- 8 = 8"

HEAD/COVER TYPE C

- I = Ductile iron - round
- IQ = Ductile iron - square¹
- NR = Nickel-bronze - round¹
- NQ = Nickel-bronze - square¹
- SR = Stainless steel - round¹
- IN = Ductile iron with NB veneer - round
- INQ = Ductile iron with NB veneer - square¹
- IS = Ductile iron with SS veneer - round

OPTIONS D

- A = Epoxy-coated cast iron
- B = Brass plug in place of ABS
- F = Flange with clamping collar
- C = Nickel-bronze carpet clamp²
- M = Carpet marker

1: Not available for models with 6" or 8" connection | 2: Not available for models with stainless steel cover or veneer