

ADJUSTABLE CONCEALED ARM LAVATORY CARRIER

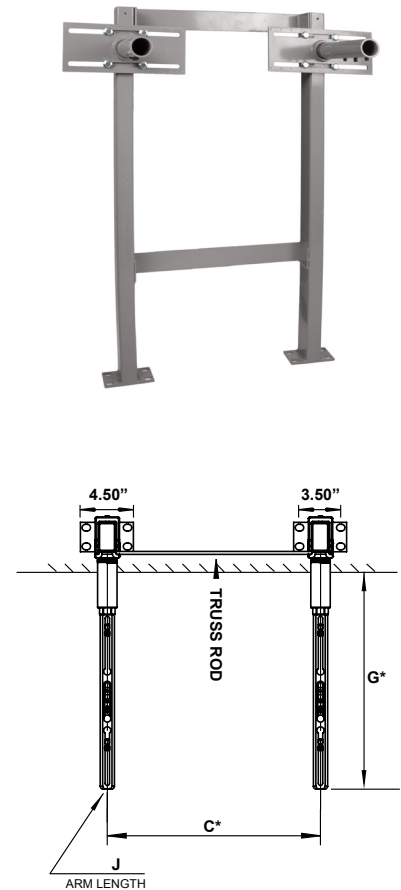
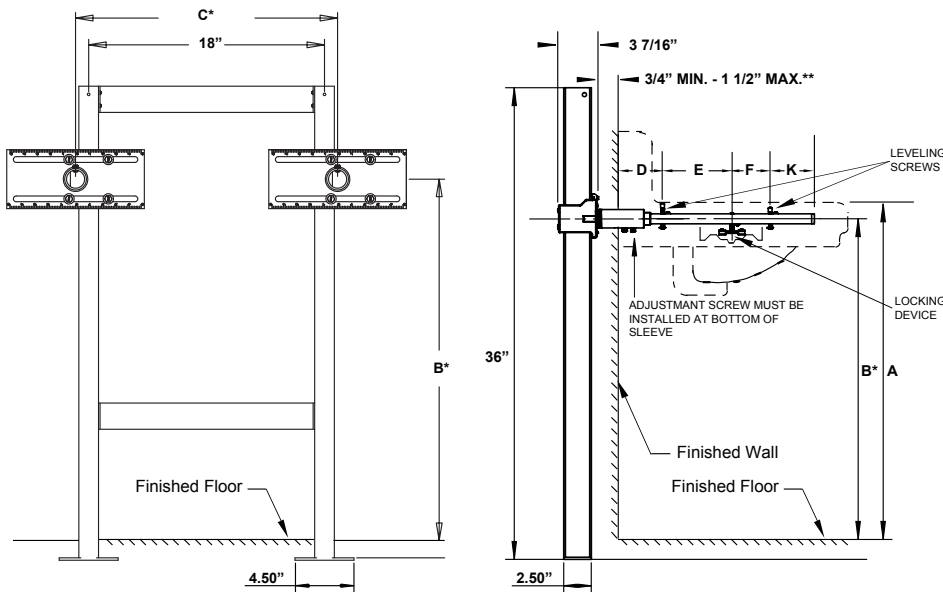
837-CA SERIES

SPECIFICATION

Sioux Chief 837-CA Series adjustable lavatory carrier complete with coated rectangular steel uprights with welded feet, cast iron adjustable header couplings, steel sleeves, concealed arms, and mounting hardware. Designed in accordance with ASME A112.6.1M

Used to support wall-hung fixtures where the load-bearing carrier is concealed within the wall.

ITEM # SUBMITTED	_____
JOB NAME	_____
LOCATION	_____
ENGINEER	_____
CONTRACTOR	_____
PO#	_____ TAG _____



* Variable Dimension - depends on the fixture
 ** Width Standard Sleeve Length of 4"
 Recommend all feet to be secured to floor with 1/2" bolt and anchors

Fixture Manufacturer		Fixture Name		Fixture No		Size	
A	B	C	D	E	F		

Note: The dimensions in this drawing are based on information available. All dimensions should be verified with the fixture manufacturer. We do not accept responsibility for rough-in dimension changes by the fixture manufacturer.

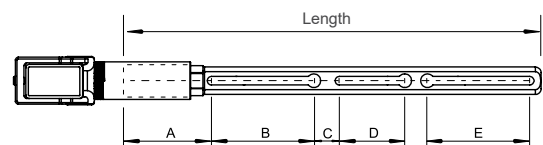
Create Item Number

837-A

e.g. 837-CA15: Lavatory carrier with 15.75" arms

ARM LENGTH A

- CA15 = 15.75" Arms
- CA18 = 18.50" Arms
- CA22 = 22.25" Arms



A	B	C	D	E
3.25"	3.25"	1.00"	3.13"	3.88"
4.00"	4.50"	1.13"	2.88"	4.50"
4.00"	4.50"	1.13"	5.38"	5.50"